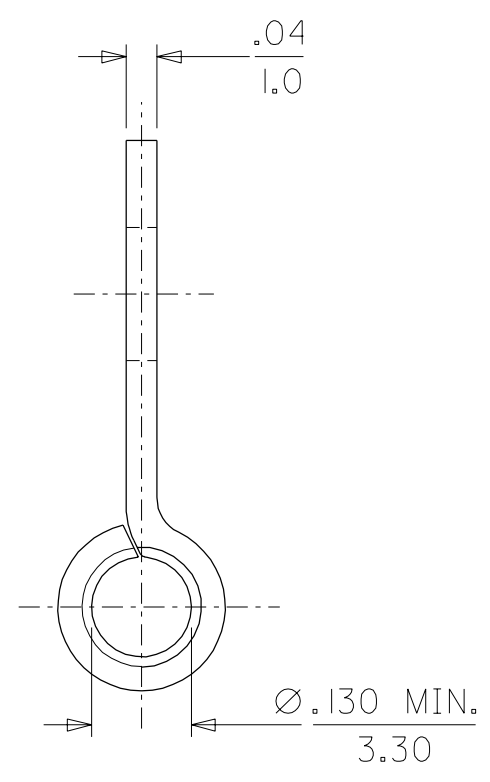
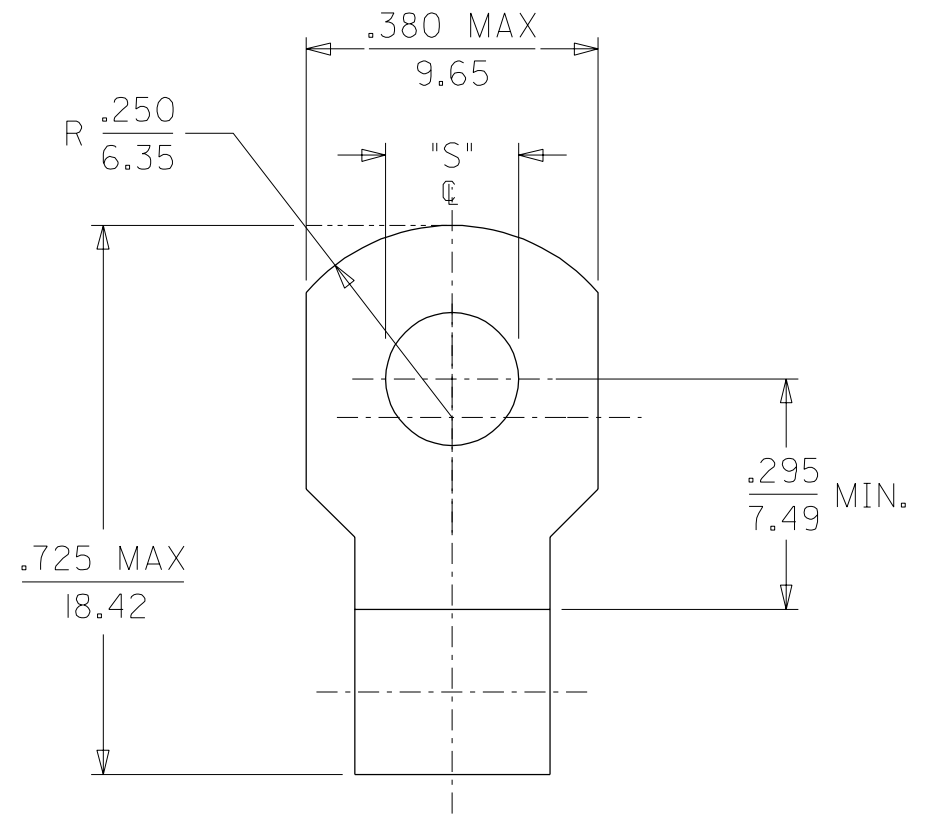
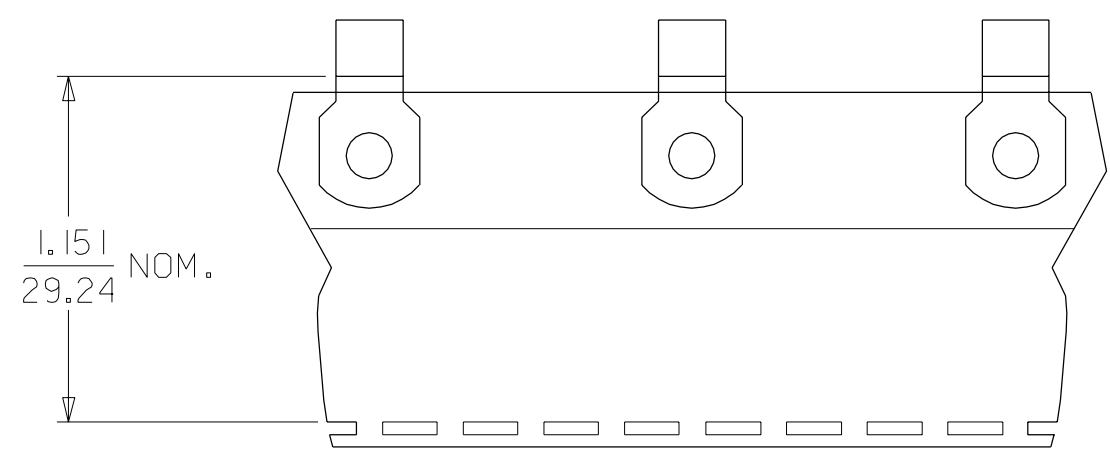


MATERIAL NUMBER	ENGINEERING NUMBER	STUD SIZE	"S" ±.002	DESCRIPTION
190410013	C-144-06	6	.146 (3.70)	LOOSE PIECE
190410014	C-144-08	8	.173 (4.39)	
190410015	C-144-10	10	.198 (5.03)	
190410016	C-144-14	14	.265 (6.73)	BRAZED SEAM (LOOSE PIECE)
190410033	C-344-06	6	.146 (3.70)	
190410034	C-344-08	8	.173 (4.39)	
190410035	C-344-10	10	.198 (5.03)	BRAZED SEAM (TAPE MOUNTED)
190410036	C-344-14	14	.265 (6.73)	
190410037	C-344-06T	6	.146 (3.70)	
190410038	C-344-08T	8	.173 (4.39)	
190410039	C-344-10T	10	.198 (5.03)	
190410040	C-344-14T	14	.265 (6.73)	

NOTE(S):
 1. MATERIAL: COPPER.
 PLATING: ELECTROPLATE TIN.
 2. ALL DIMENSIONS IN INCHES/(M/M).



SALES DRAWING

RELEASE TO BUILD EC NO. ETC2001-0405 DRWN: DLM 01/07/12 CHK: SB 01/07/12 APPR: RWD 01/07/12	QUALITY SYMBOLS MAJOR $\blacktriangledown = \emptyset$ CRITICAL $\blacktriangle = \emptyset$	GENERAL TOLERANCES: (UNLESS SPECIFIED)		SCALE: NTS	DESIGN UNITS: <input type="checkbox"/> mm <input checked="" type="checkbox"/> INCH	DIMENSIONS: <input type="checkbox"/> mm <input checked="" type="checkbox"/> INCH <input type="checkbox"/> mm ONLY	SHT: REV:	
		4 PLACES ±0.----- ±.-----	3 PLACES ±0. --- ±.005	2 PLACES ±0.13 ±.01	1 PLACE ±0.25 ±.-----	DRAWN BY & DATE: DLM 01/07/12	TITLE: FLAG RING TERMINAL KRIMPTITE & VERSAKRIMP 12-10 AWG	
		ANGULAR: ±1/2°				CHECKED BY & DATE: SB 01/07/12	MOLEX INCORPORATED	
		DRAFT WHERE APPLICABLE MUST REMAIN WITHIN DIMENSIONS				APPROVED BY & DATE: RWD 01/07/12	CAD FILENAME: SD19041001.DGN	MATERIAL NO. (SEE CHART)

THIS DRAWING CONTAINS INFORMATION THAT IS PROPRIETARY TO MOLEX INCORPORATED AND SHOULD NOT BE USED WITHOUT WRITTEN PERMISSION.