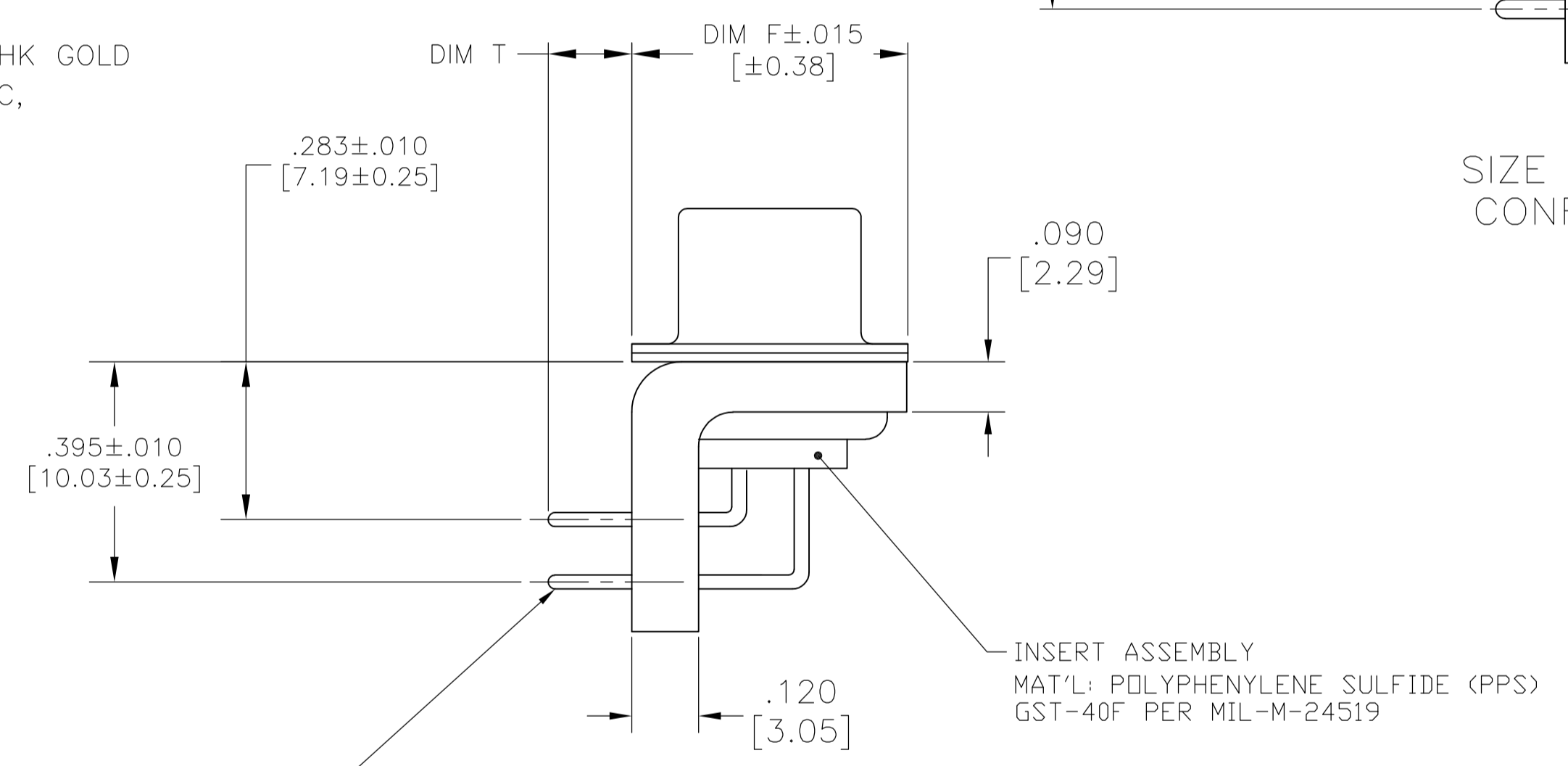
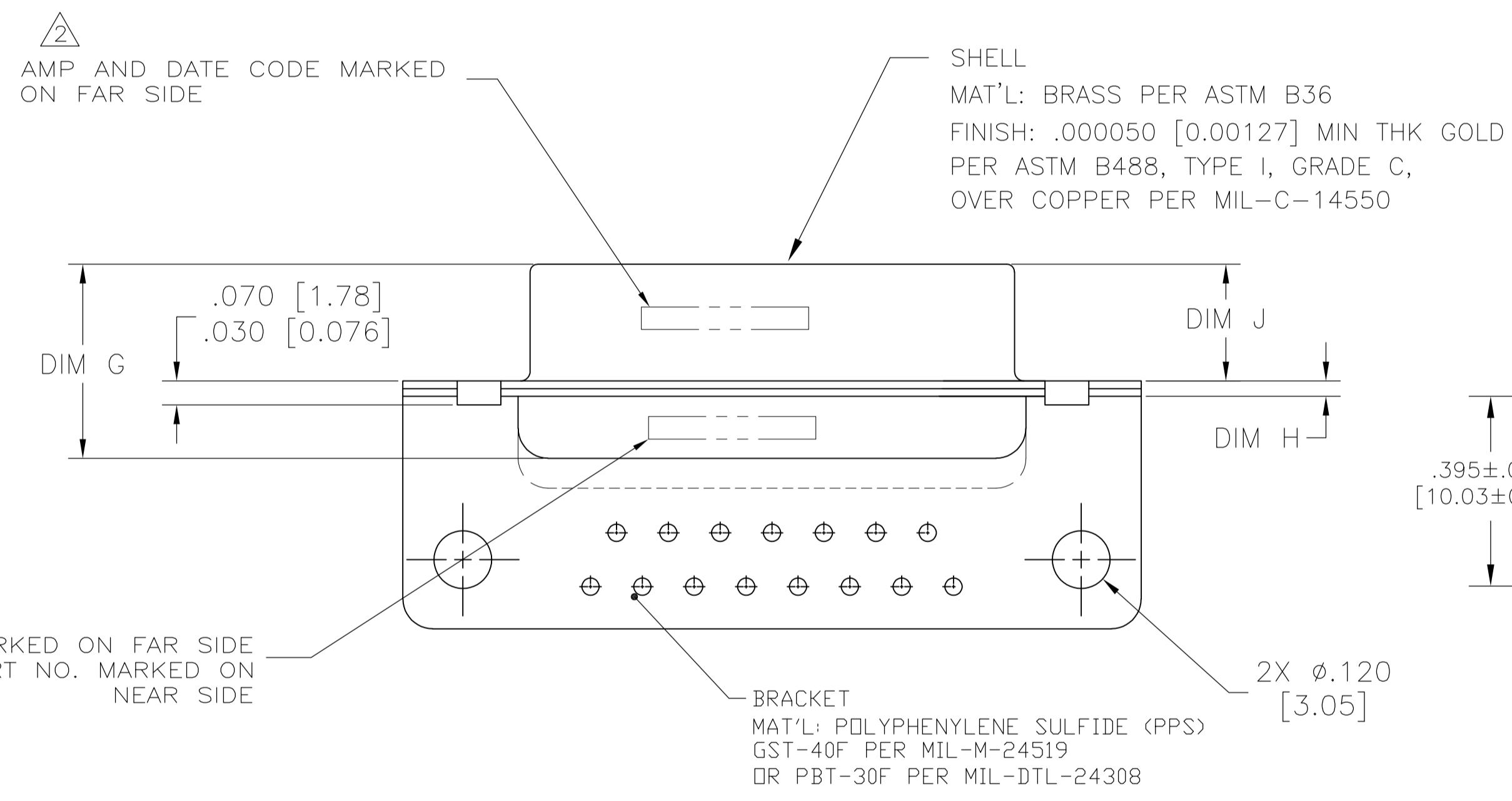


SIZE 5 CONTACT CONFIGURATION



SIZE 1, 2, 4 CONTACT CONFIGURATION

TE PART NO. MARKED ON FAR SIDE
CUSTOMER PART NO. MARKED ON NEAR SIDE

POSTED PIN CONTACT (QTY = NO. OF POSN)
 MAT'L: BRASS PER ASTM B16
 FINISH: .000050 [0.00127] - .000150 [0.0038] THK GOLD PER ASTM B488, TYPE I, GRADE C, OVER NICKEL PER QQ-N-290, .000050 [0.00127] - .000150 [0.0038] THK

.156-.210 [3.96-5.33]	.230 [5.84]	.039 [0.99]	.426 [10.82]	.605 [15.37]	2.635 [66.93]	2.406 [61.11]	.441 [11.20]	2.079 [52.81]	B010811-0029	50	5	1-1883569-5
.156-.210 [3.96-5.33]	.235 [5.97]	.030 [0.76]	.422 [10.72]	.494 [12.55]	1.541 [39.14]	1.312 [33.32]	.329 [8.36]	.994 [25.25]	B010811-0011	15	2	1-1883569-2
.131-.185 [3.33-4.70]	.230 [5.84]	.039 [0.99]	.426 [10.82]	.494 [12.55]	2.729 [69.32]	2.500 [63.50]	.329 [8.36]	2.182 [55.42]	B010811-0021	37	4	1883569-9
.131-.185 [3.33-4.70]	.235 [5.97]	.030 [0.76]	.422 [10.72]	.494 [12.55]	1.541 [39.14]	1.312 [33.32]	.329 [8.36]	.994 [25.25]	B010811-0009	15	2	1883569-7
.109-.154 [2.77-3.91]	.235 [5.97]	.030 [0.76]	.422 [10.72]	.494 [12.55]	1.541 [39.14]	1.312 [33.32]	.329 [8.36]	.994 [25.25]	B010811-0007	15	2	1883569-2
.109-.154 [2.77-3.91]	.235 [5.97]	.030 [0.76]	.422 [10.72]	.494 [12.55]	1.213 [30.81]	.984 [24.99]	.329 [8.36]	.666 [16.92]	B010811-0001	9	1	1883569-1
DIM T	DIM J ±0.006 [±0.15]	DIM H ±0.010 [±0.25]	DIM G	DIM F	DIM D	DIM C	DIM B	DIM A	CUSTOMER PART NO.	POSITION	SIZE	PART NO.

1 UL/CSA DESIGNATION STAMPED IN THIS AREA; OPTIONAL.
 2 THE FAR SIDE REFERS TO WIDE SIDE OF KEYSTONE.

THIS DRAWING IS A CONTROLLED DOCUMENT.

DIMENSIONS: INCHES	TOLERANCES UNLESS OTHERWISE SPECIFIED:	DIN K. GLATFELTER 12SEP2013	CHK C. DERRICK 12SEP2013	APVD G. DERRICK 12SEP2013	NAME
0 PL ± -	1 PL ± -	2 PL ± -	3 PL ± .005	4 PL ± -	ANGLES ± 0°30'
MATERIAL SEE CALLOUTS	FINISH SEE CALLOUTS	WEIGHT	SCALE 4:1	SHEET 1 OF 1	REV N

CUSTOMER DRAWING
 PLUG ASSEMBLY, AMPLIMITE, SERIES 109 WITH RIGHT ANGLE CONTACTS
 A1 00779 1883569