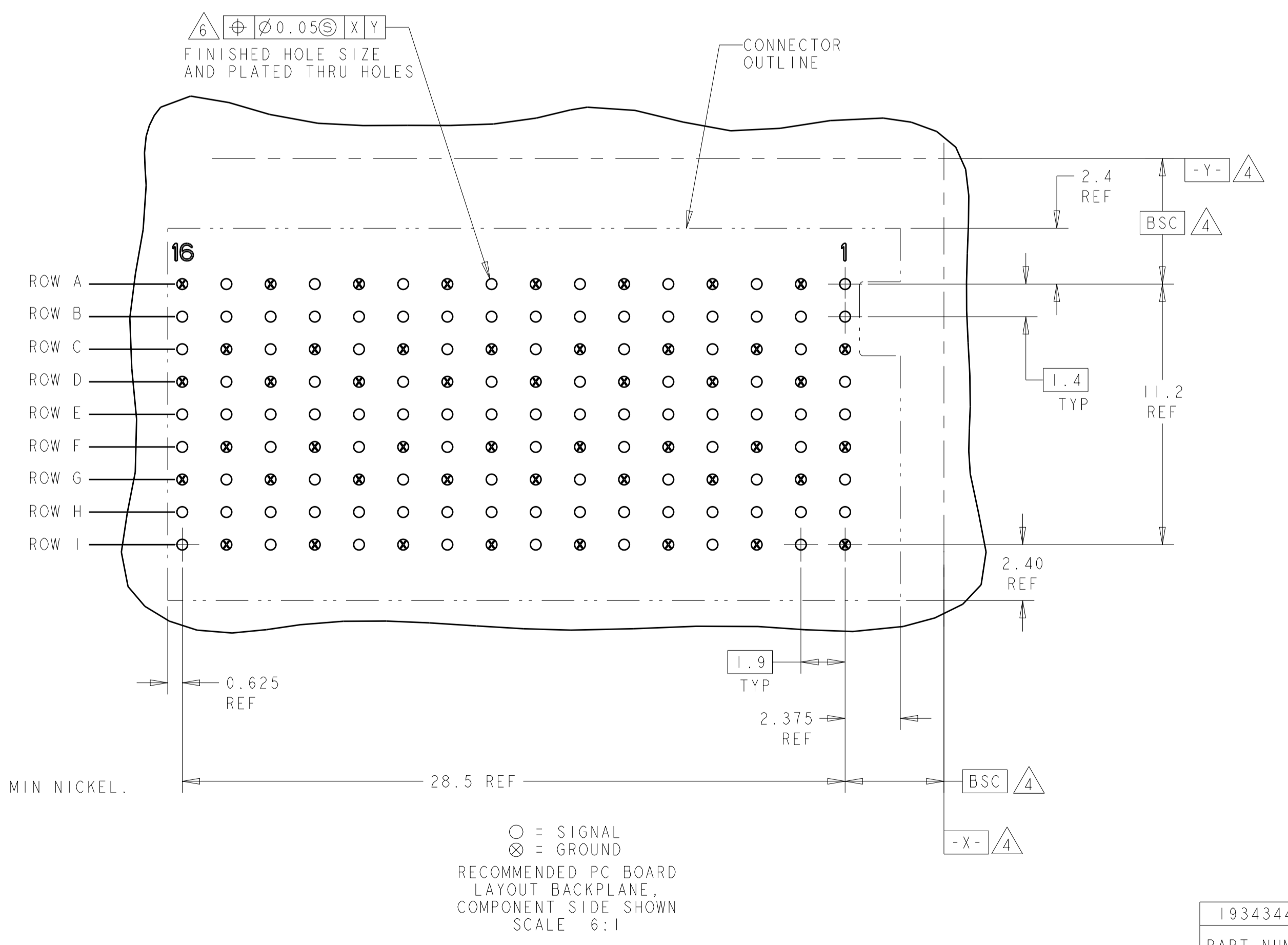
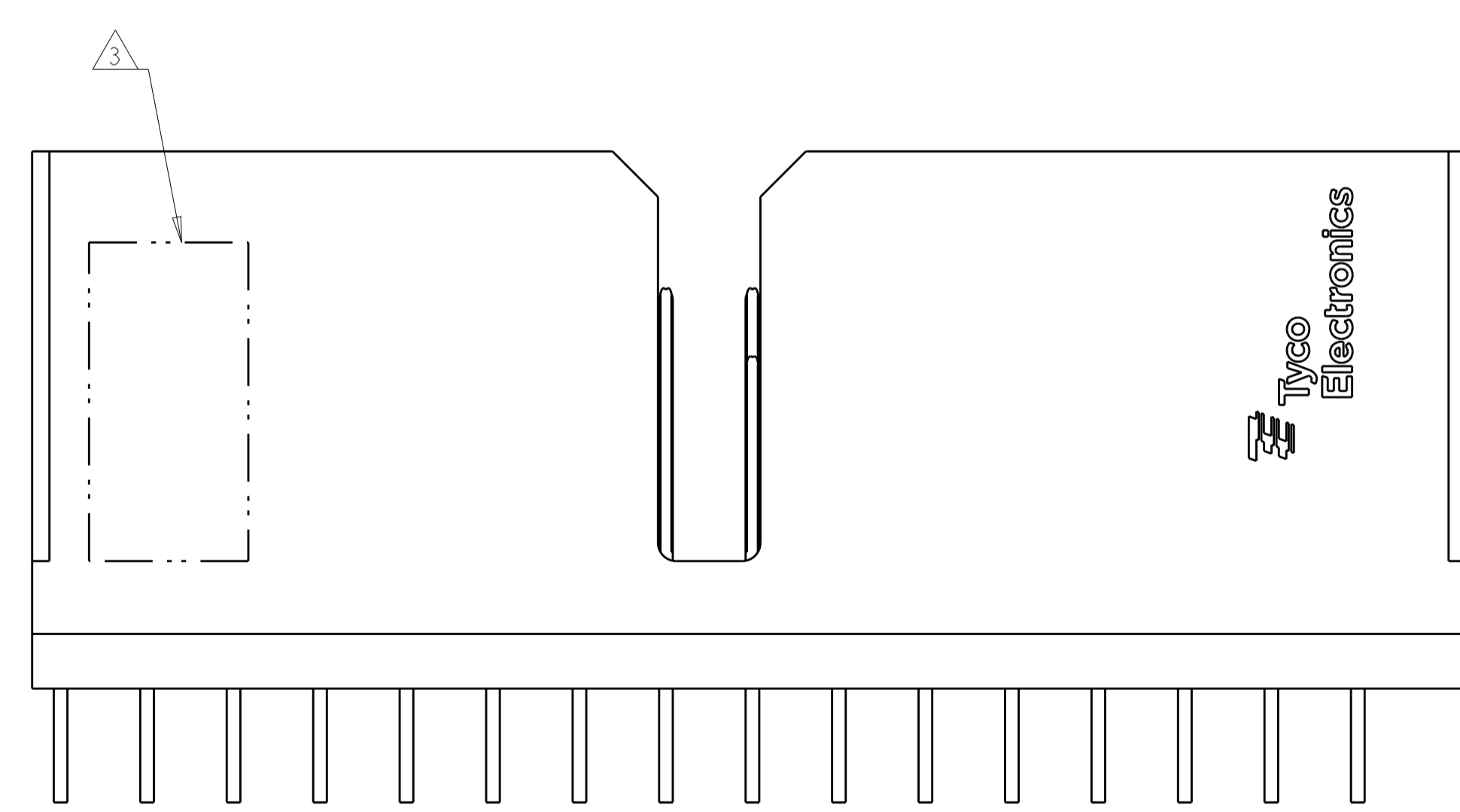
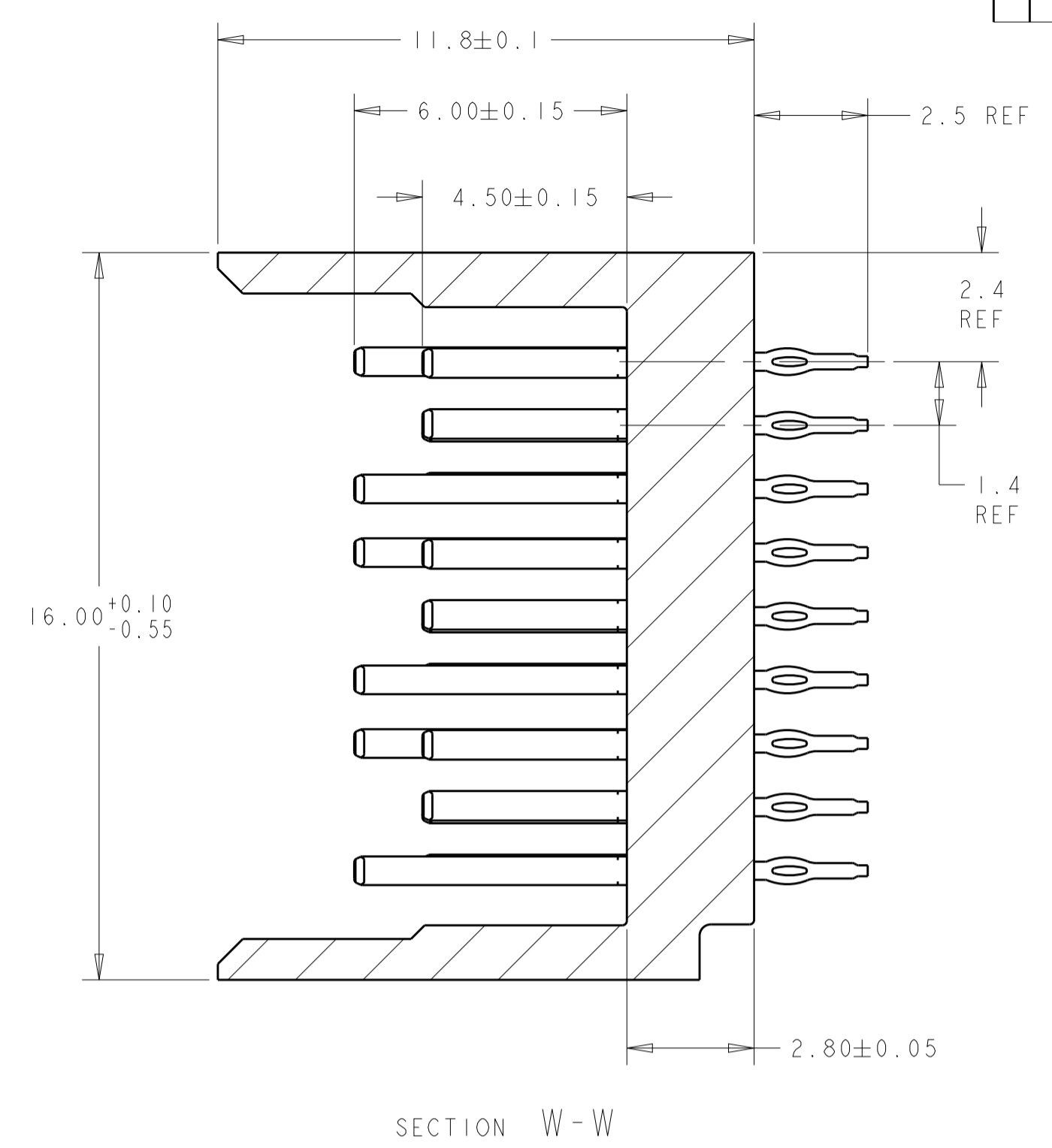
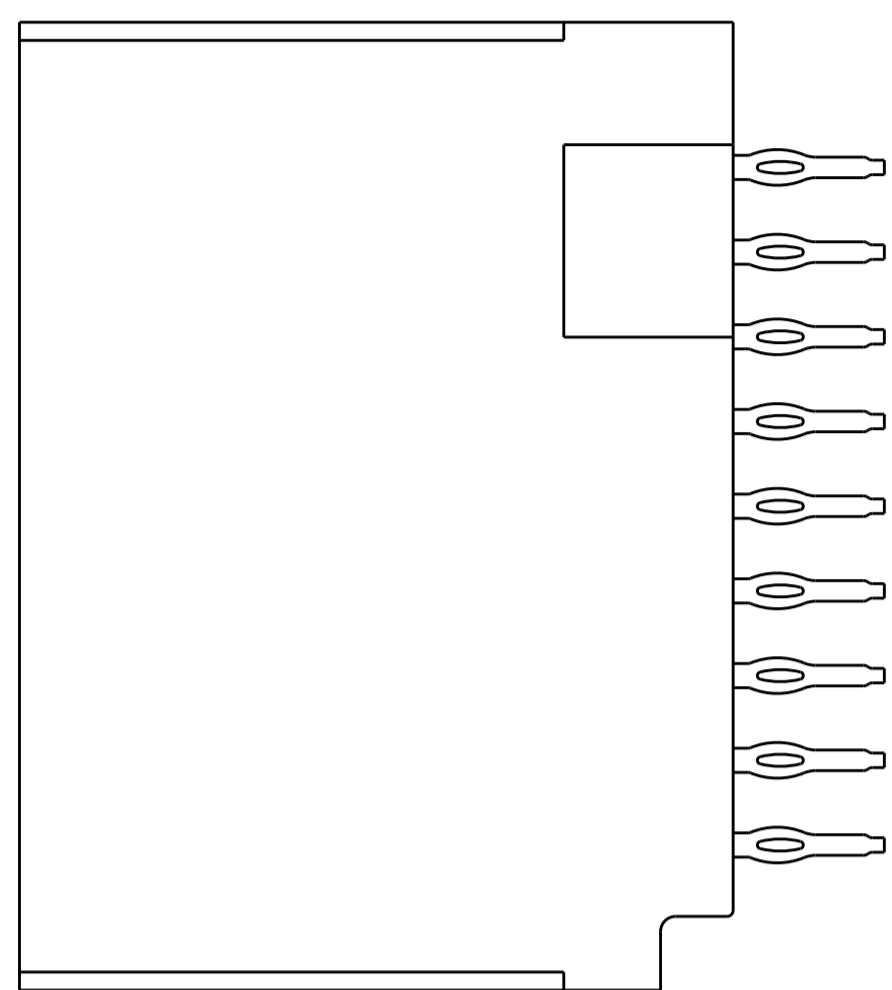
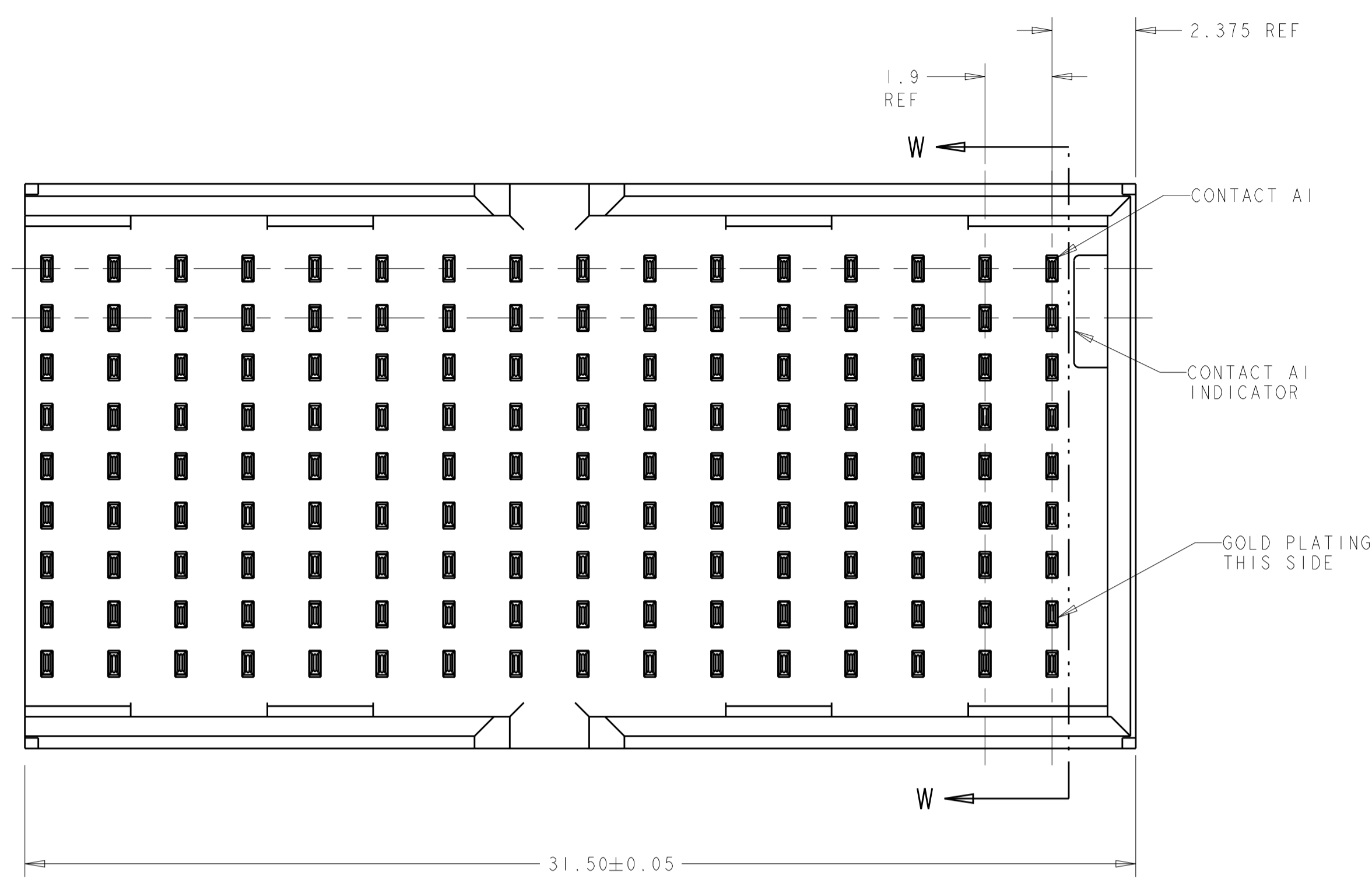


LOC		DIST		REVISIONS			
AD	00	REV	DATE	BY	CHK	APPV	DATE
F			07AUG2013	KH	RP		
DESCRIPTION				REVISED PER ECO-13-010626			



- 1 MATERIAL:
CONTACT - PHOS BRONZE
HOUSING - LCP, UL 94V-0, COLOR - BLACK
- 2 FINISH:
CONTACT AREA FINISH CONFORMS TO THE REQUIREMENTS OF TE PRODUCT SPECIFICATION 108-2303; BASED ON TELCORDIA GR-1217-CORE FOR SYSTEM QUALITY LEVEL III, APPLICATIONS IN CONTROLLED ENVIRONMENTS (CENTRAL OFFICE).
COMPLIANT PIN AREA- 0.5µm MIN MATTE TIN OVER 1.27µm MIN NICKEL.
- 3 CONNECTOR MARKED WITH PART NUMBER, DATE CODE AND STANDARD IN APPROXIMATE AREA SHOWN
- 4 DATUMS AND BASIC DIMENSIONS ESTABLISHED BY CUSTOMER.
- 5 CONTACT AREA LUBRICATED WITH BELLCORE APPROVED LUBRICANT. TECHNICAL REFERENCE GR-1217-CORE, ISSUE 1, NOVEMBER 1995.
- 6 REFERENCE APPLICATION SPEC 114-13202 FOR RECOMMENDED PLATED THRU HOLE DIAMETER AND PLATING THICKNESSES.

THIS DRAWING IS A CONTROLLED DOCUMENT.		OWN	S. MAGARO	15JUN2007	NAME	TE Connectivity
DIMENSIONS:		CHK	W. DAVIS	15JUN2007		
mm		APV	W. DAVIS	15JUN2007	PRODUCT SPEC	APPLICATION SPEC
TOLERANCES UNLESS OTHERWISE SPECIFIED:		WEIGHT				
0 PLC	±				A100779	C=1934344
1 PLC	±					
2 PLC	±					
3 PLC	±					
4 PLC	±					
ANGLES	±					
MATERIAL		FINISH				
Customer Drawing		SCALE		8:1	SHEET	1 OF 1
					REV	F

1934344-1
PART NUMBER