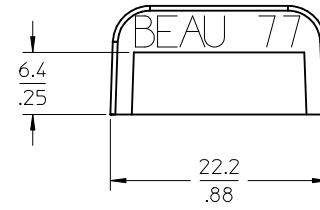
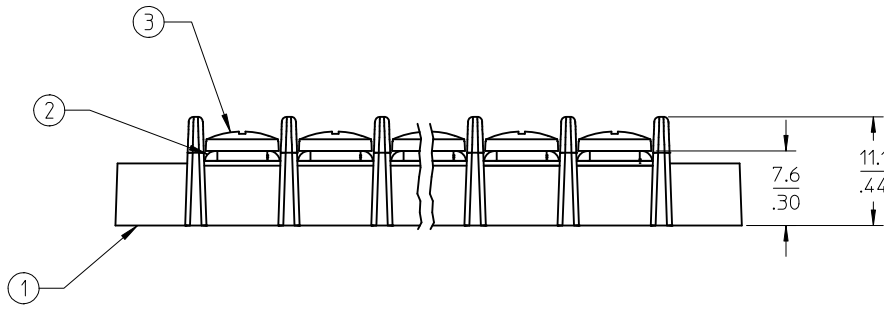


5 CIRCUIT SHOWN



NOTES:

1. MATERIAL: SEE DETAILS
2. FINISHES: SEE DETAILS
3. PRODUCT SPECIFICATION: NOT REQUIRED
4. "XX" REFERS TO THE QUANTITY OF CIRCUITS
5. ROHS COMPLIANT

3	XX*2	SCREW, #6-32X.250, BHD, PHIL-SLOT, (-56 OPT)	(B) STAINLESS STEEL	PASSIVATED
2	XX	TERMINAL PLATE	BRASS	NICKEL PLATE
1	1	INSULATOR, DOUBLE ROW, CB	POLYESTER (PBT)	BLACK
ITEM	QTY	DESCRIPTION	MATERIAL	FINISH

CHANGE SCREW, REDRAWN
 EC NO: WNA2011-0086
 DRAWN: JENC INAS 2010/10/18
 CHKD: JMACNEIL
 APPR: JMACNEIL 2011/05/06

QUALITY SYMBOLS
 ▼=0
 ▽=0

GENERAL TOLERANCES (UNLESS SPECIFIED)	
	mm INCH
4 PLACES	± --- ± ---
3 PLACES	± --- ± .005
2 PLACES	± 0.13 ± .01
1 PLACE	± 0.3 ± ---
ANGULAR ± 2 °	
DRAFT WHERE APPLICABLE MUST REMAIN WITHIN DIMENSIONS	

DIMENSION STYLE	
MM/IN	
DRAWN BY	DATE
EHILE	2006/05/22
CHECKED BY	DATE
RDEROSS	2006/05/22
APPROVED BY	DATE
JMACNEIL	2011/05/06
MATERIAL NO.	DOCUMENT NO.
SEE SHEET 2	SD-38779-004

SCALE	DESIGN UNITS	THIRD ANGLE PROJECTION
2:1	INCH	
TITLE		
9.53/.375" DOUBLE ROW LOW PROFILE BTS ASSY, (770XX-53-56)		
MOLEX INCORPORATED		
SHEET NO.		1 OF 2

THIS DRAWING CONTAINS INFORMATION THAT IS PROPRIETARY TO MOLEX INCORPORATED AND SHOULD NOT BE USED WITHOUT WRITTEN PERMISSION

NO. OF CIRCUITS "XX"	DIM "A"		DIM "B"		DIM "C"		DIM "D"		ASSEMBLY MATERIAL NO. (-56 OPTION)
	mm	INCH	mm	INCH	mm	INCH	mm	INCH	
2	35.7	1.41	9.5	0.38	28.6	1.13	21.3	0.84	
3	45.2	1.78	19.1	0.75	38.1	1.50	30.8	1.21	
4	54.7	2.16	28.6	1.13	47.6	1.88	40.3	1.59	
5	64.3	2.53	38.1	1.50	57.2	2.25	49.8	1.96	
6	73.8	2.91	47.6	1.88	66.7	2.63	59.4	2.34	387790007
7	83.3	3.28	57.2	2.25	76.2	3.00	68.9	2.71	387790046
8	92.8	3.66	66.7	2.63	85.7	3.38	78.4	3.09	
9	102.4	4.03	76.2	3.00	95.3	3.75	87.9	3.46	
10	111.9	4.41	85.7	3.38	104.8	4.13	97.5	3.84	
11	121.4	4.78	95.3	3.75	114.3	4.50	107.0	4.21	
12	130.9	5.16	104.8	4.13	123.8	4.88	116.5	4.59	387790135
13	140.5	5.53	114.3	4.50	133.4	5.25	126.0	4.96	
14	150.0	5.91	123.8	4.88	142.9	5.63	135.6	5.34	
15	159.5	6.28	133.4	5.25	152.4	6.00	145.1	5.71	
16	169.0	6.66	142.9	5.63	161.9	6.38	154.6	6.09	387790170
17	178.6	7.03	152.4	6.00	171.5	6.75	164.1	6.46	
18	188.1	7.41	161.9	6.38	181.0	7.13	173.7	6.84	
19	197.6	7.78	171.5	6.75	190.5	7.50	183.2	7.21	
20	207.1	8.16	181.0	7.13	200.0	7.88	192.7	7.59	
21	216.7	8.53	190.5	7.50	209.6	8.25	202.2	7.96	
22	226.2	8.91	200.0	7.88	219.1	8.63	211.8	8.34	
23	235.7	9.28	209.6	8.25	228.6	9.00	221.3	8.71	
24	245.2	9.66	219.1	8.63	238.1	9.38	230.8	9.09	
25	254.8	10.03	228.6	9.00	247.7	9.75	240.3	9.46	
26	264.3	10.41	238.1	9.38	257.2	10.13	249.9	9.84	
27	273.8	10.78	247.7	9.75	266.7	10.50	259.4	10.21	
28	283.3	11.16	257.2	10.13	276.2	10.88	268.9	10.59	
29	292.9	11.53	266.7	10.50	285.8	11.25	278.4	10.96	
30	302.4	11.91	276.2	10.88	295.3	11.63	288.0	11.34	

SEE SHEET ONE EC NO: WNA2011-0086 DRAWN: JENC INAS 2010/10/18 CHKD: APPR: JMACNEIL 2011/05/06 B	QUALITY SYMBOLS	GENERAL TOLERANCES (UNLESS SPECIFIED)	DIMENSION STYLE	SCALE	DESIGN UNITS	THIRD ANGLE PROJECTION	
	$\nabla=0$ $\nabla 7=0$	mm	MM/IN	2:1	INCH	9.53/.375" DOUBLE ROW LOW PROFILE BTS ASSY, (770XX-53-56)	
		INCH	DRAWN BY DATE	CHECKED BY DATE			
		4 PLACES \pm --- \pm ---	EHILE 2006/05/22	APPROVED BY DATE			MOLEX INCORPORATED DOCUMENT NO. SD-38779-004 SHEET NO. 2 OF 2
		3 PLACES \pm --- \pm .005	RDEROSS 2006/05/22				
	2 PLACES \pm 0.13 \pm .01	JMACNEIL 2011/05/06					
	1 PLACE \pm 0.3 \pm ---						
	ANGULAR \pm 2 °						
	DRAFT WHERE APPLICABLE MUST REMAIN WITHIN DIMENSIONS						
			SEE CHART				
			MATERIAL NO.				
			SIZE B				
			THIS DRAWING CONTAINS INFORMATION THAT IS PROPRIETARY TO MOLEX INCORPORATED AND SHOULD NOT BE USED WITHOUT WRITTEN PERMISSION				