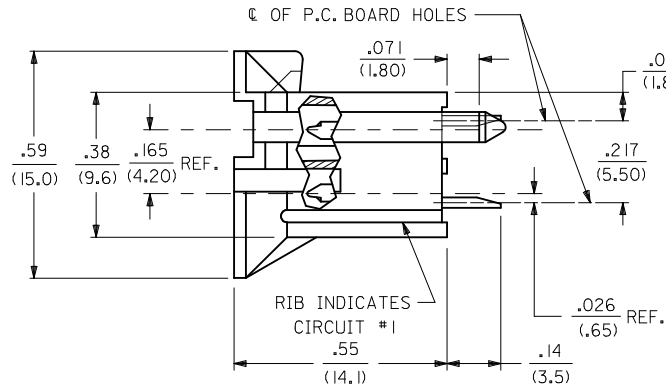
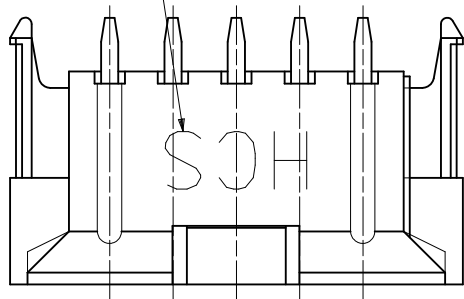
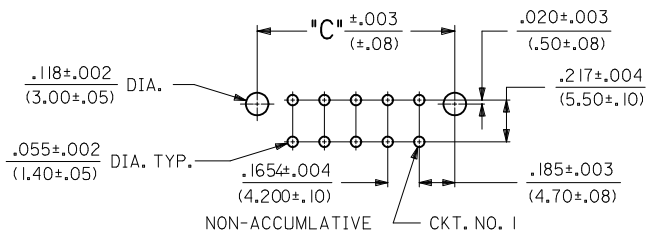
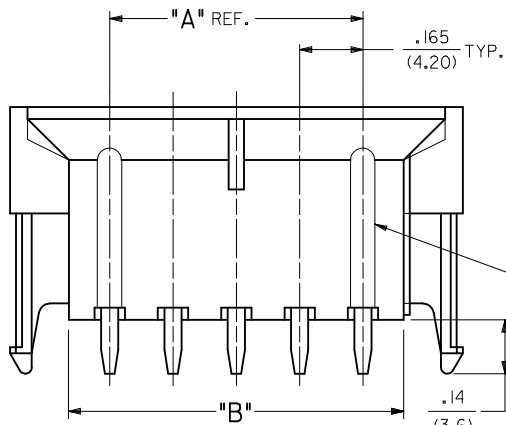
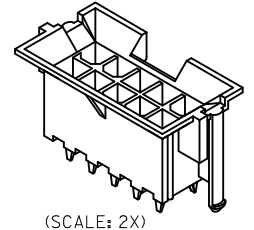
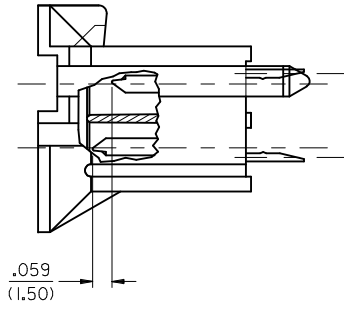
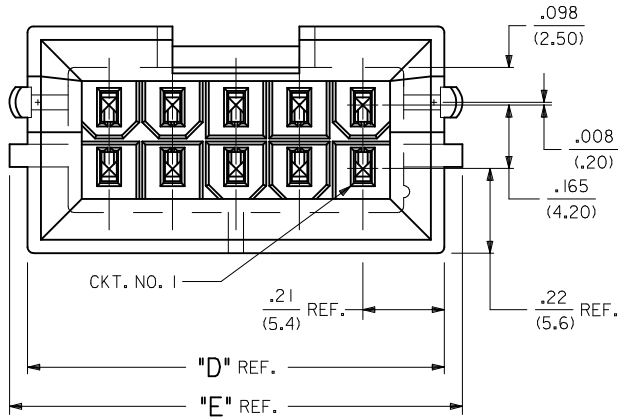


SEE NOTE 10

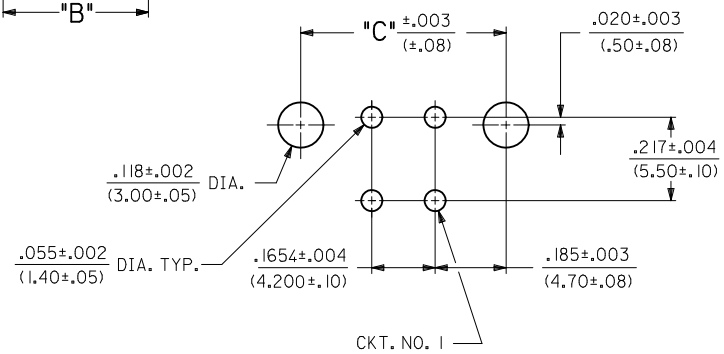
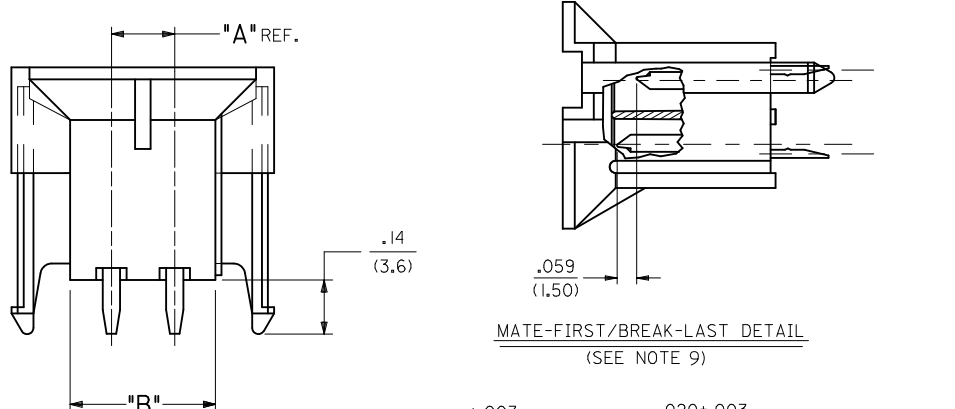
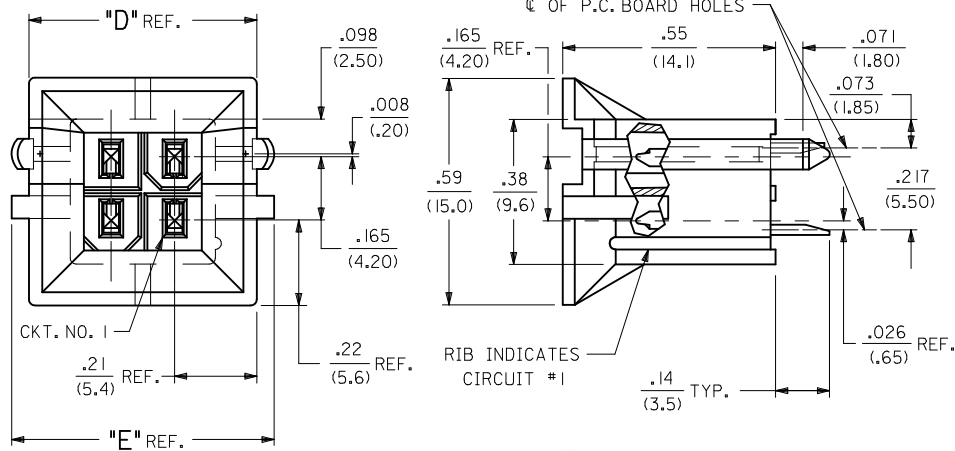


CIRCUIT SIZE	DIM. "A"	DIM. "B"	DIM. "C"	DIM. "D"	DIM. "E"
2	—	.21 (5.4)	.370 (9.40)	.425 (10.80)	.520 (13.20)
4	.17 (4.2)	.38 (9.6)	.535 (13.60)	.590 (15.00)	.685 (17.40)
6	.33 (8.4)	.54 (13.8)	.701 (17.80)	.756 (19.20)	.850 (21.60)
8	.50 (12.6)	.71 (18.0)	.866 (22.00)	.921 (23.40)	1.016 (25.80)
10	.66 (16.8)	.87 (22.2)	1.031 (26.20)	1.087 (27.60)	1.181 (30.00)
12	.83 (21.0)	1.04 (26.4)	1.197 (30.40)	1.252 (31.80)	1.346 (34.20)
14	.99 (25.2)	1.20 (30.6)	1.362 (34.60)	1.417 (36.00)	1.512 (38.40)
16	1.16 (29.4)	1.37 (34.8)	1.528 (38.80)	1.583 (40.20)	1.677 (42.60)
18	1.32 (33.6)	1.54 (39.0)	1.693 (43.00)	1.748 (44.40)	1.843 (46.80)
20	1.49 (37.8)	1.70 (43.2)	1.858 (47.20)	1.913 (48.60)	2.008 (51.00)
22	1.65 (42.0)	1.87 (47.4)	2.024 (51.40)	2.079 (52.80)	2.173 (55.20)
24	1.82 (46.2)	2.03 (51.6)	2.189 (55.60)	2.244 (57.00)	2.339 (59.40)

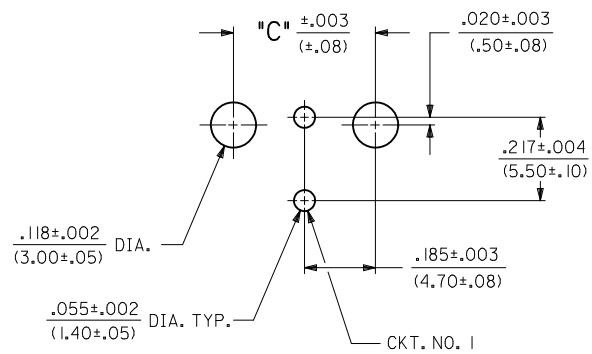
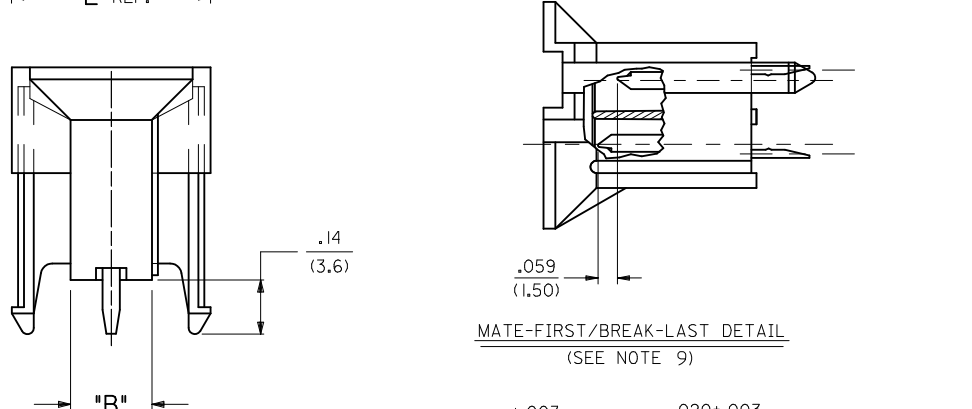
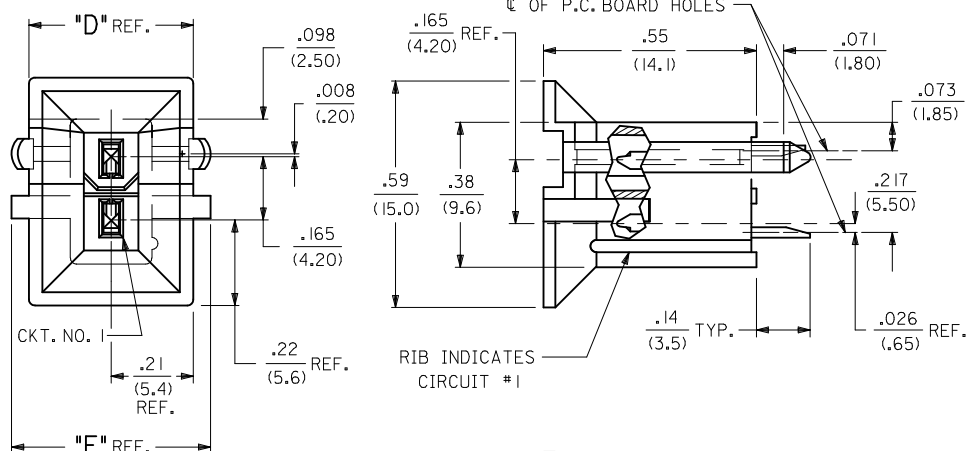


RECOMMENDED HOLE LAYOUT FOR .070/(1.78) MAX. THICK P.C. BOARD

CHANGE PLATING		QUALITY SYMBOLS	GENERAL TOLERANCES (UNLESS SPECIFIED)		DIMENSION STYLE		SCALE	DESIGN UNITS	THIRD ANGLE PROJECTION	
EC NO:	DATE		mm	INCH	IN/MM	DATE	4:1	METRIC		
UCP2012-1560	2012/01/18	∇=0 ∇=0 ∇=0	4 PLACES ± --- ± ---	± ---	DRAWN BY	DATE	TITLE	MOLEX INCORPORATED	VERTICAL HEADER ASSEMBLY MINI-FIT HCS SERIES	
DRWINANGUYEN	2012/01/18		3 PLACES ± --- ± .010	± ---	GEP	DATE				
CHKD:JBELL	2012/02/02		2 PLACES ± 0.25 ± .015	± ---	RJF	DATE	APPROVED BY	DATE	MATERIAL NO. DOCUMENT NO.	SHEET NO. 1 OF 5
APPR:FSMITH		1 PLACE ± 0.38 ± ---	± ---	FSMITH	2011/02/11	SEE CHART		SDA-44474-****		
DRAFT WHERE APPLICABLE MUST REMAIN WITHIN DIMENSIONS			ANGULAR ±1/2°		THIS DRAWING CONTAINS INFORMATION THAT IS PROPRIETARY TO MOLEX INCORPORATED AND SHOULD NOT BE USED WITHOUT WRITTEN PERMISSION					



**RECOMMENDED HOLE LAYOUT FOR .070/(1.78) MAX. THICK P.C. BOARD**



**RECOMMENDED HOLE LAYOUT FOR .070/(1.78) MAX. THICK P.C. BOARD**

<b>SEE SHEET 1</b> EC NO: UCP2012-1560 DRAWING: NGUYEN 2012/01/18 CHKD: J. BELL 2012/01/18 APPR: F. SMITH 2012/02/02	QUALITY SYMBOLS 	GENERAL TOLERANCES (UNLESS SPECIFIED)		DIMENSION STYLE <b>IN/MM</b>	SCALE <b>4:1</b>	DESIGN UNITS <b>METRIC</b>	THIRD ANGLE PROJECTION		
		4 PLACES ± --- ± ---	3 PLACES ± --- ± .10	DRAWN BY GEP	DATE	TITLE <b>VERTICAL HEADER ASSEMBLY MINI-FIT HCS SERIES</b>			
		2 PLACES ± 0.25 ± .015	1 PLACE ± 0.38 ± ---	CHECKED BY RJF	DATE	MOLEX INCORPORATED			
		ANGULAR ±1/2°		APPROVED BY F. SMITH	DATE 2011/02/11	MATERIAL NO. <b>SEE CHART</b>	DOCUMENT NO. <b>SDA-44474-****</b>	SHEET NO. <b>2 OF 5</b>	
DRAFT WHERE APPLICABLE MUST REMAIN WITHIN DIMENSIONS		SIZE 		THIS DRAWING CONTAINS INFORMATION THAT IS PROPRIETARY TO MOLEX INCORPORATED AND SHOULD NOT BE USED WITHOUT WRITTEN PERMISSION					

**NOTES:**

- 1) HOUSING MAT'L.  
 1 = NYLON 6/6, U.L. 94V-2, COLOR: NATURAL  
 2 = NYLON 6/6, U.L. 94V-0, COLOR: NATURAL  
 TERMINAL MAT'L.: COPPER ALLOY
- 2) TERMINAL PLATING:  
 1 = .000100/(.00254) MIN. MATTE TIN  
 OVER .000050/(.00127) MIN. NICKEL.
- 3) PRODUCT SPECIFICATION: SEE PS-44476-001.
- 4) PACKAGING:  
 1 = TRAY PER PK-42440-001.
- 5) 6-24 CKT. PARTS MATE WITH MINI-FIT JR. RECEPT. 5557, 42474, 44516  
 H.C.S. VERT. HEADER 44475, 2 & 4 CKT. DO NOT MATE WITH 5557.
- 6) PART ALLOWS FOR UP TO .100/(2.54) MISALIGNMENT WITH MATING RECEPTACLE IN  
 ANY DIRECTION. SEE MATING CONNECTOR DRAWINGS FOR SPECIFIC ALLOWANCES.
- 7) CONNECTOR ASSEMBLIES ARE NOT TO BE MATED OR UNMATED WHILE CIRCUITS ARE LIVE.
- 8) ITEM NUMBERS PRECEDED BY AN "X" IN THE CHARTS ON THE FOLLOWING  
 SHEETS ARE NOT AVAILABLE.
- 9) CIRCUITS SHOWN PROVIDE CUSTOM MATE-FIRST/BREAK-LAST FEATURE.  
 SEE CHART ON SHEET SIX FOR ASSEMBLIES WITH ADDITIONAL  
 CUSTOM OPTIONS.
- 10) HCS PARTS WILL HAVE "HCS" MARKING
- 11) PART CONFORMS TO CLASS "B" REQUIREMENTS OF COSMETIC SPECIFICATION PS-45499-002
- 12) RIB LOCATION IS DETERMINED BY MOLD DESIGN FOR MANUFACTURING EASE AND THE LOCATION  
 DOES NOT AFFECT PART FUNCTION OR PERFORMANCE. LOCATION OF RIBS MAY VARY ON PARTS  
 WITHIN MANUFACTURING LOT OR SHIPMENT. THIS DRAWING SHOWS TYPICAL RIB LOCATION.
- 13) PARTS ARE NOT DESIGNED FOR CURRENT SHARING.

SEE SHEET 1 EC NO: UCP2012-1560 DRW: NGUYEN 2012/01/18 CHKD: BELL 2012/01/18 APPR: FSMITH 2012/02/02	DESCRIPTION REV	QUALITY SYMBOLS	GENERAL TOLERANCES (UNLESS SPECIFIED)	DIMENSION STYLE <b>IN/MM</b>		SCALE	DESIGN UNITS <b>METRIC</b>	THIRD ANGLE PROJECTION		
		▽=0	mm INCH	DRAWN BY DATE	TITLE	VERTICAL HEADER ASSEMBLY MINI-FIT HCS SERIES				
		▽=0	4 PLACES ± --- ± ---	GEP	CHECKED BY DATE					
		▽=0	3 PLACES ± --- ± .010	RJF	APPROVED BY DATE	MATERIAL NO. DOCUMENT NO. SHEET NO. SEE CHART SDA-44474-**** 3 OF 5				
▽=0	2 PLACES ± 0.25 ± .015	FSMITH 2011/02/11	THIS DRAWING CONTAINS INFORMATION THAT IS PROPRIETARY TO MOLEX INCORPORATED AND SHOULD NOT BE USED WITHOUT WRITTEN PERMISSION							
		1 PLACE ± 0.38 ± ---	ANGULAR ± 1/2°		DRAFT WHERE APPLICABLE MUST REMAIN WITHIN DIMENSIONS					

PLATING:	1 (SEE NOTE 2)		PLATING:	1 (SEE NOTE 2)		PLATING:			PLATING:			PLATING:		
DRAINS:	WITHOUT DRAIN HOLES		DRAINS:	WITHOUT DRAIN HOLES		DRAINS:			DRAINS:			DRAINS:		
PEGS:	WITH PEGS		PEGS:	WITH PEGS		PEGS:			PEGS:			PEGS:		
MAT'L:	94V-2 [NATURAL]		MAT'L:	94V-0 [NATURAL]		MAT'L:			MAT'L:			MAT'L:		
PACKAGING:	TRAY (SEE NOTE 4)		PACKAGING:	TRAY (SEE NOTE 4)		PACKAGING:			PACKAGING:			PACKAGING:		
	ITEM NO.	CKTS		ITEM NO.	CKTS		ITEM NO.	CKTS		ITEM NO.	CKTS		ITEM NO.	CKTS
X	44474-0211	2	X	44474-0221	2									
	44474-0411	4		44474-0421	4									
	44474-0611	6	X	44474-0621	6									
X	44474-0811	8	X	44474-0821	8									
	44474-1011	10		44474-1021	10									
X	44474-1211	12	X	44474-1221	12									
	44474-1411	14		44474-1421	14									
X	44474-1611	16	X	44474-1621	16									
	44474-1811	18		44474-1821	18									
X	44474-2011	20	X	44474-2021	20									
X	44474-2211	22	X	44474-2221	22									
	44474-2411	24		44474-2421	24									

PLATING:			PLATING:			PLATING:			PLATING:			PLATING:		
DRAINS:			DRAINS:			DRAINS:			DRAINS:			DRAINS:		
PEGS:			PEGS:			PEGS:			PEGS:			PEGS:		
MAT'L:			MAT'L:			MAT'L:			MAT'L:			MAT'L:		
PACKAGING:			PACKAGING:			PACKAGING:			PACKAGING:			PACKAGING:		
	ITEM NO.	CKTS		ITEM NO.	CKTS		ITEM NO.	CKTS		ITEM NO.	CKTS		ITEM NO.	CKTS
		2			2			2			2			2
		4			4			4			4			4
		6			6			6			6			6
		8			8			8			8			8
		10			10			10			10			10
		12			12			12			12			12
		14			14			14			14			14
		16			16			16			16			16
		18			18			18			18			18
		20			20			20			20			20
		22			22			22			22			22
		24			24			24			24			24

\* ITEMS PRECEDED BY "X" ARE NOT AVAILABLE  
 ITEMS ON THIS PAGE ARE STANDARD PRODUCT. REFER TO  
 SHEET SIX FOR PRODUCT WITH CUSTOM OPTIONS.

<b>SEE SHEET 1</b> EC NO: UCP2012-1560 2012/01/18 DRW: NGUYEN 2012/01/18 CHKD: J.BELL 2012/02/02 APPR: FSMITH	QUALITY SYMBOLS 	GENERAL TOLERANCES (UNLESS SPECIFIED)		DIMENSION STYLE <b>IN/MM</b>		SCALE	DESIGN UNITS <b>METRIC</b>	THIRD ANGLE PROJECTION			
		4 PLACES ± --- ± ---	3 PLACES ± --- ± .010	2 PLACES ± 0.25 ± .015	1 PLACE ± 0.38 ± ---	DRAWN BY GEP	DATE	TITLE <b>VERTICAL HEADER ASSEMBLY MINI-FIT HCS SERIES</b>			
		ANGULAR ± 1/2°				APPROVED BY FSMITH	DATE 2011/02/11	MOLEX INCORPORATED			
		DRAFT WHERE APPLICABLE MUST REMAIN WITHIN DIMENSIONS				SEE CHART		MATERIAL NO.	DOCUMENT NO. <b>SDA-44474-****</b>	SHEET NO. 4 OF 5	
THIS DRAWING CONTAINS INFORMATION THAT IS PROPRIETARY TO MOLEX INCORPORATED AND SHOULD NOT BE USED WITHOUT WRITTEN PERMISSION											

ITEM NO.	CHARACTERISTIC DESCRIPTION	TERMINAL VERSION REQUIRED AT EACH CIRCUIT LOCATION: (SEE CODES AT RIGHT)																								TERM. CODES FOR CHART AT LEFT			
		1	2	3	4	5	6	7	8	9	10	11	12	13	14	15	16	17	18	19	20	21	22	23	24	TERMINAL NO.	PLATING		
J	44474-5000	I	I	3	I	I	I	I	I	I	I	I	I	3	3	3	-	-	-	-	-	-	-	-	-	* - * = VOID	N/A		
																										* I * = MAKE-FIRST	I		
																										* 3 * = STANDARD	I		
I																													
H																													
G																													
F																													
E																													
D																													
C																													

CHARACTERISTICS LEGEND:  
FOR ASSEMBLIES ON THIS SHEET ONLY

CIRCUIT SIZE: \_\_\_\_\_  
(02-24)

HOUSING MATERIAL AND OPTIONS: \_\_\_\_\_  
\*1\*=NYLON 6/6, U.L. 94V-2, COLOR: NATURAL.  
\*2\*=NYLON 6/6, U.L. 94V-0, COLOR: NATURAL.

TERMINAL MATERIAL: \_\_\_\_\_  
\*A\*= COPPER ALLOY

TERMINAL PLATING (SEE NOTE 2): \_\_\_\_\_  
\*I\* = MATTE TIN OVER NICKEL

PACKAGING (SEE NOTE 4): \_\_\_\_\_  
\*I\* = TRAY

SEE SHEET 1 EC NO: UCP2012-1560 DRW: NGUYEN 2012/01/18 CHKD: JELL 2012/01/18 APPR: FSMITH 2012/02/02	QUALITY SYMBOLS	GENERAL TOLERANCES (UNLESS SPECIFIED)	DIMENSION STYLE	SCALE	DESIGN UNITS	THIRD ANGLE PROJECTION	
	▽=0	mm INCH	IN/MM		METRIC		
	▽=0	4 PLACES ± --- ± ---	DRAWN BY DATE	TITLE	VERTICAL HEADER ASSEMBLY MINI-FIT HCS SERIES		
	▽=0	3 PLACES ± --- ± .010	CHECKED BY DATE	MOLEX INCORPORATED			
	2 PLACES ± 0.25 ± .015	APPROVED BY DATE	SDA-44474-****				
	1 PLACE ± 0.38 ± ---	FSMITH 2011/02/11	5 OF 5				
	ANGULAR ± 1/2°	MATERIAL NO.	THIS DRAWING CONTAINS INFORMATION THAT IS PROPRIETARY TO MOLEX INCORPORATED AND SHOULD NOT BE USED WITHOUT WRITTEN PERMISSION				
		DRAFT WHERE APPLICABLE MUST REMAIN WITHIN DIMENSIONS					