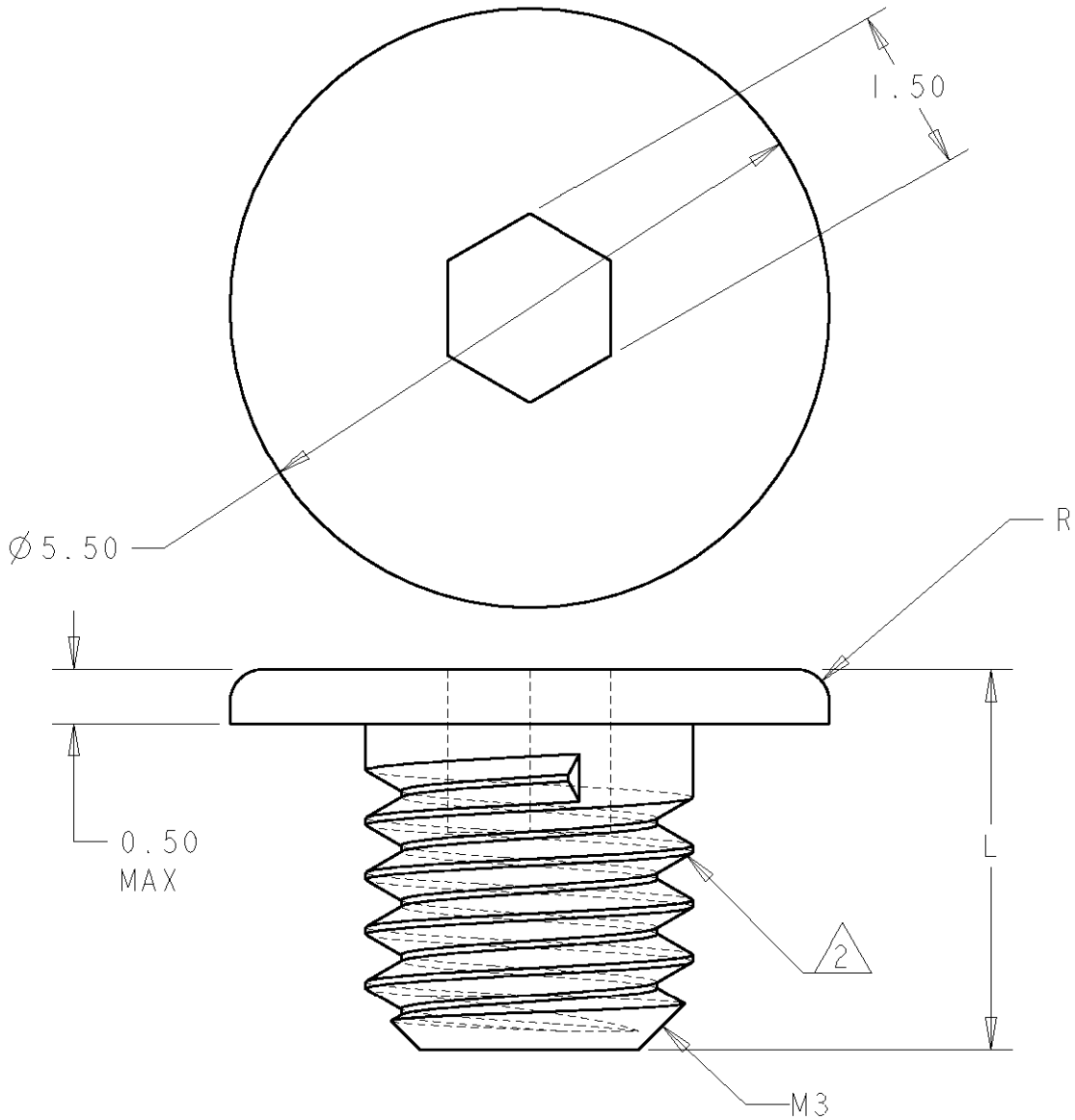


LOC	DIST	REVISIONS					
AD	00	P	LTR	DESCRIPTION	DATE	DWN	APVD
		B1		REVISED PER ECO-11-005294	30APR11	RK	HMR



1 MATERIAL: STAINLESS STEEL

2 YELLOW THREAD LOCKER APPLIED ON PORTION OF THREADS.

5.50	1410946-2
3.50	1410946-1
L	PART NUMBER

20

RELEASED FOR PUBLICATION


ALL RIGHTS RESERVED.

BY -

COPYRIGHT -

©

THIS DRAWING IS UNPUBLISHED.

DIMENSIONS: mm	DWN	03AUG2004	MATERIAL	1 -	FINISH	-
	R. TREA					
TOLERANCES UNLESS OTHERWISE SPECIFIED:	CHK	03AUG2004	 TE Connectivity			
	G.GRIFFITH					
0 PLC ±-	APVD	03AUG2004	NAME			
1 PLC ±-	G.GRIFFITH					
2 PLC ±0.13	PRODUCT SPEC		SOC. HD CAP SCREW CUSTOMIZED			
3 PLC ±0.013						
4 PLC ±-	APPLICATION SPEC		SIZE	CAGE CODE	DRAWING NO	RESTRICTED TO
ANGLES ±-			A4	00779	C=1410946	-
	WEIGHT	-	CUSTOMER DRAWING			
			SCALE	12:1	SHEET	1 OF 1
						REV B1

