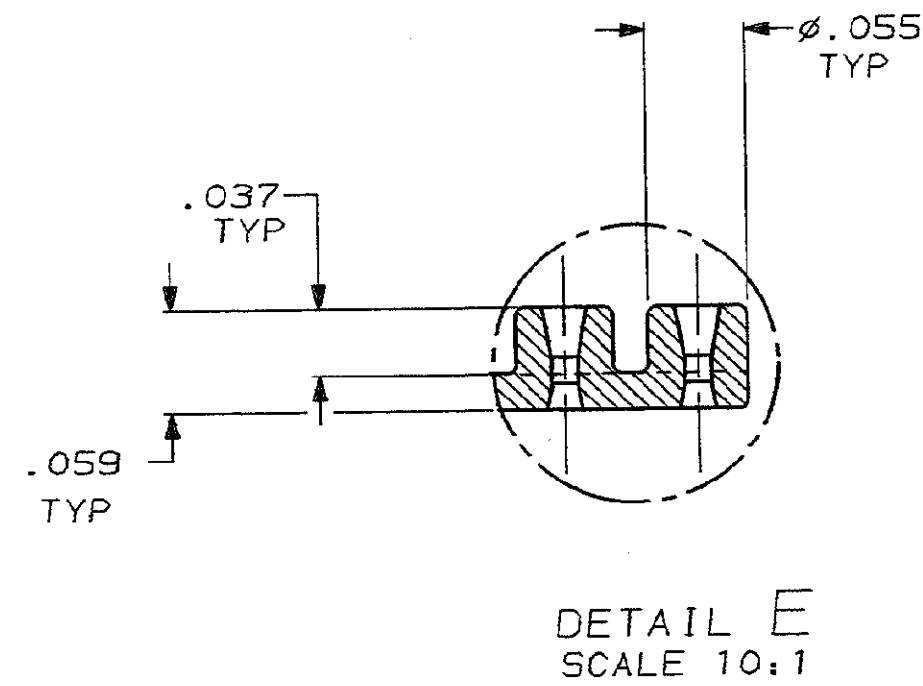
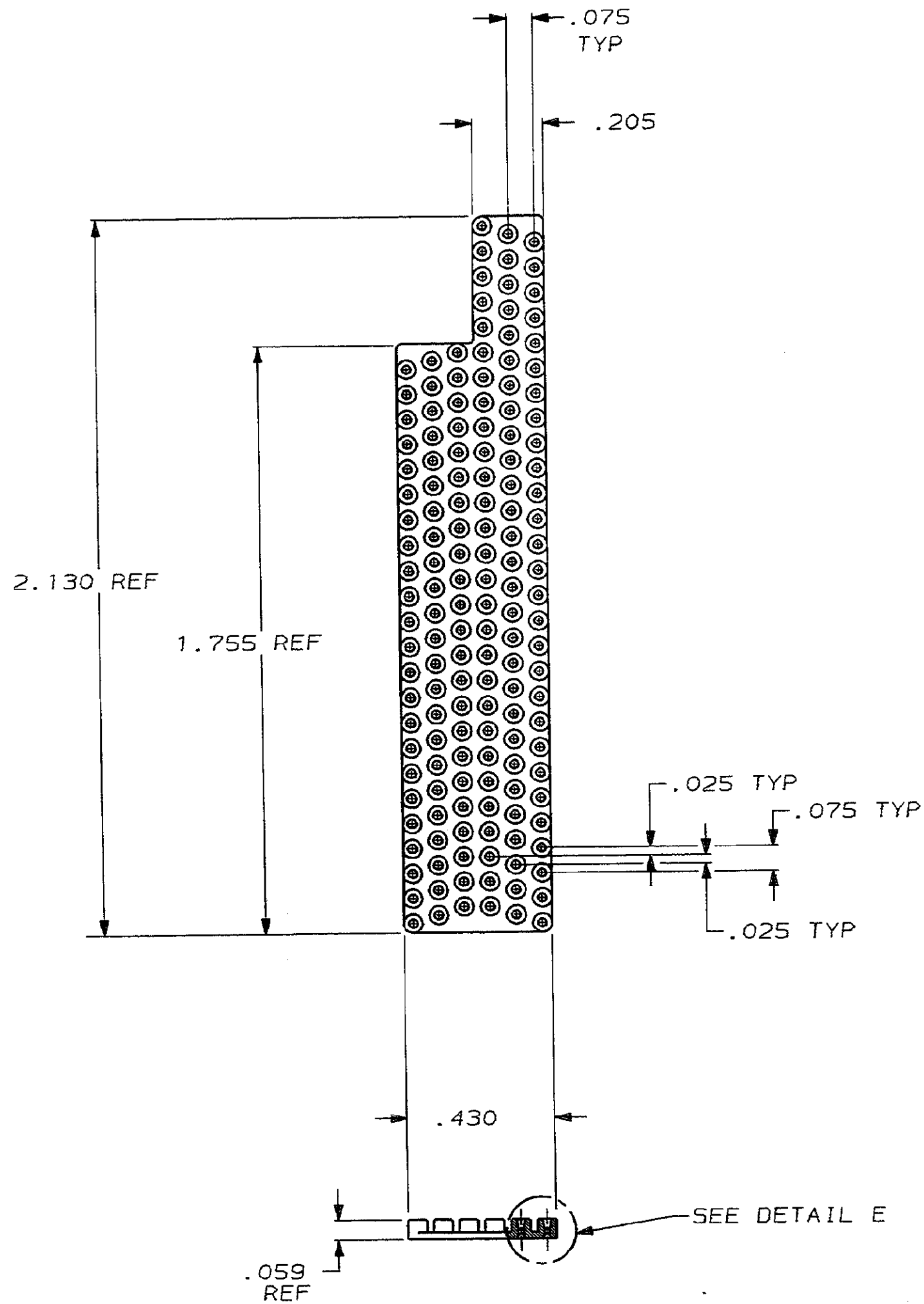


DRAWING MADE IN THIRD ANGLE PROJECTION

THIS DRAWING IS UNPUBLISHED. RELEASED FOR PUBLICATION
 © COPYRIGHT 19 BY AMP INCORPORATED. ALL INTERNATIONAL RIGHTS RESERVED.

LOC		DIST		REVISIONS				DATE	APPD
DF	TO	P	F	ZONE	LTR	DESCRIPTION			
					0	PRODUCT NO. ASSIGNED WAS 88-4829-7	9-28-88		

1 MAT'L: FLUROSILICONE RUBBER COMPOUND, COLOR: BLUE.



445274-1

PART NO

DO NOT SCALE PRINT.
UNLESS SPECIFIED
DIMENSIONS IN INCHES
TOLERANCES ON:
2 PLC DEC ± -
3 PLC DEC ± .005
ANGLES ± -
MATERIAL
SEE CALLOUTS
FINISH
-

DR - *[Signature]*
CHK - *[Signature]* M. Norton 7/30/88
APPD - *[Signature]* M. Norton 9/30/88
APPD - *[Signature]* Kruger 9/30/88
PRODUCT SPEC
-
APPLICATION SPEC
-
WEIGHT -

AMP | AMP INCORPORATED
Harrisburg, Pa. 17105

NAME
INTERFACIAL SEAL
R HALF, 153 POS
HDI - 6 ROW

SIZE **C** FSCM NO 00779 DRAWING NO 445274
SCALE 3:1 SHEET 1 OF 1