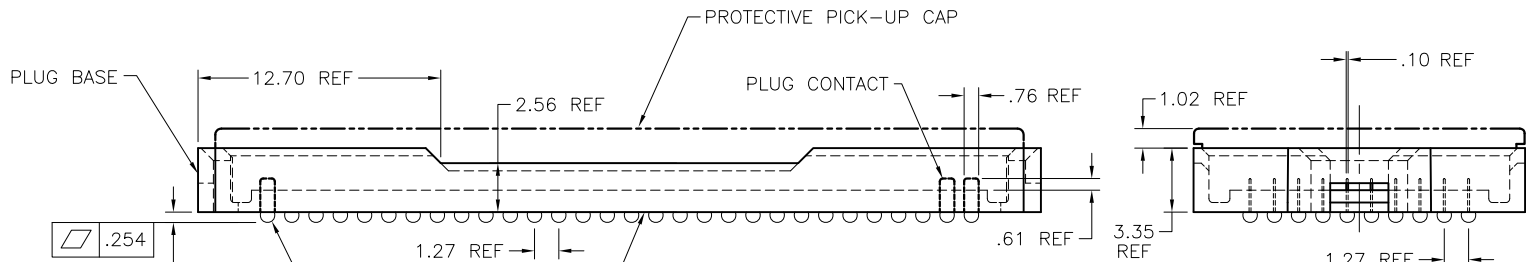
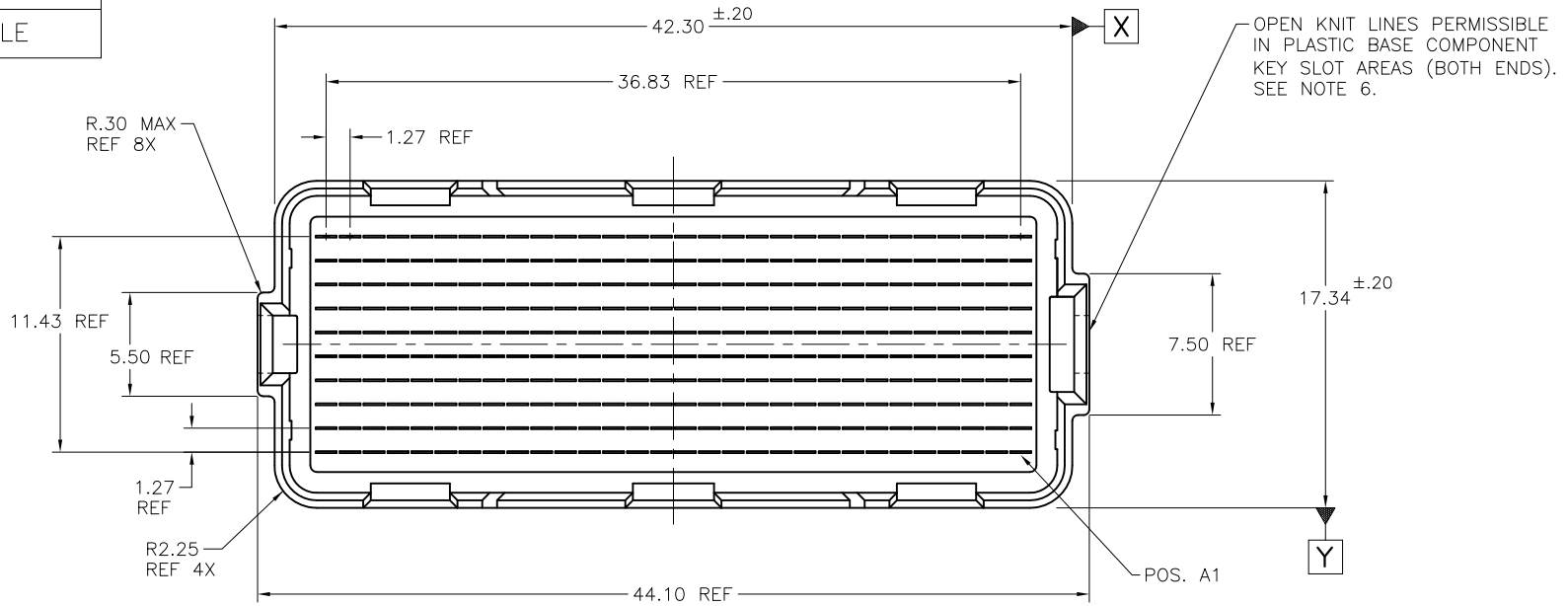


PRODUCT NUMBER  
SEE TABLE



$\square$  .254

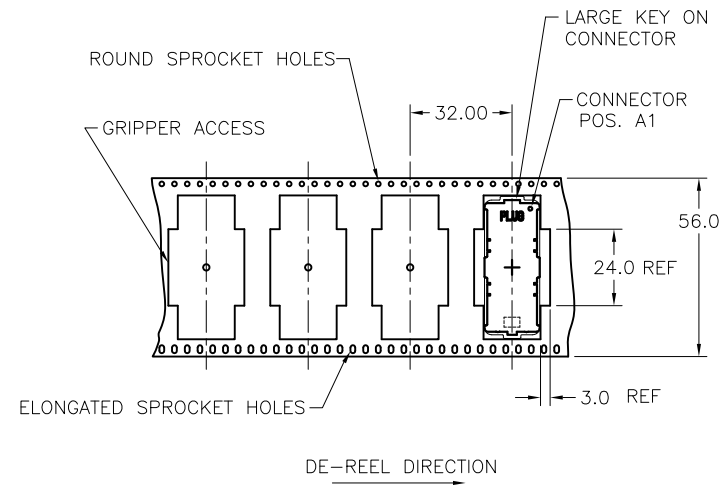
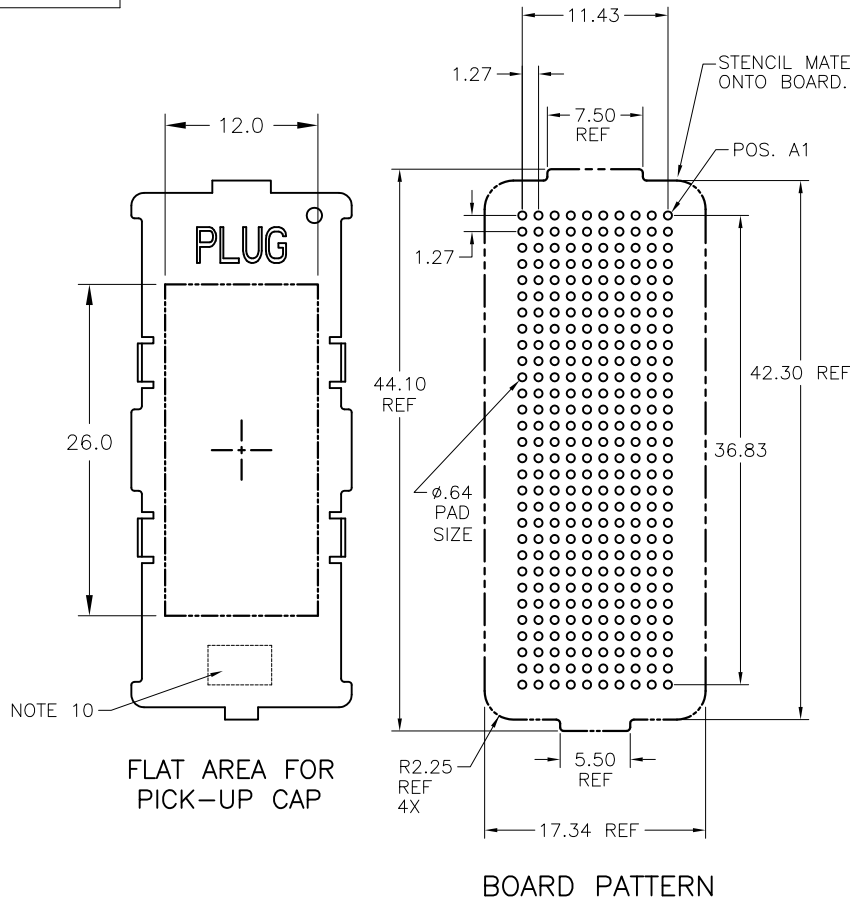
.54 REF

Ø.760 SOLDER BALLS  
NOTE 2  
 $\text{⊕} \text{Ø}.30 \text{ X } \text{Y}$

CONTINUOUS OPEN KNIT LINE CRACKS (TRAVERSING THE ENTIRE BODY LENGTH OF THE CONNECTOR) WHICH CAUSE CRITICAL-TO-FUNCTION DIMENSIONAL CHANGES THAT AFFECT THE CONNECTORS MECHANICAL ALIGNMENT FEATURES ARE NOT PERMISSIBLE. SEE NOTE 6.

| mat'l. code |          |     |            | surface                               |            | tolerance  |            | projection |  | product family          |  |
|-------------|----------|-----|------------|---------------------------------------|------------|------------|------------|------------|--|-------------------------|--|
| SEE NOTE 1  |          |     |            | ASME Y14.5                            |            | ASME Y14.5 |            | MM         |  | MEG-ARRAY               |  |
| ltr         | ec'n no  | dr  | date       | tolerances unless otherwise specified |            |            |            |            |  | title                   |  |
| K           | V06-0560 | LP  | 2006-07-14 | angles                                | mm         |            | X*3        | MM         |  | 0mm PLUG ASSEMBLY       |  |
| L           | V11-0029 | HTB | 2011-06-06 |                                       |            |            | XX*13      |            |  | 10 X 30 = 300 POSITIONS |  |
| M           | V12-0030 | SJ  | 2012-08-06 | 0° ±2'                                |            |            | XXX*051    | scale 3:1  |  | dwg no                  |  |
| N           | V12-0036 | DCH | 2012-11-13 | dr                                    | D. WAUGHEN |            | 1998-12-16 |            |  | sheet 1 of 5 size       |  |
| -           | -        | -   | -          | engr                                  | D. HARPER  |            | 1998-12-16 |            |  | 84500 A4                |  |
| H           | V03-0680 | DAI | 2003-06-19 | chr                                   | D. HARPER  |            | 1998-12-16 |            |  | type CUSTOMER Drawing   |  |
| J           | V04-0940 | VS  | 2001-10-18 | appd                                  | D. HARPER  |            | 1998-12-16 |            |  |                         |  |
| sheet index | revision | N   | N          | N                                     | N          | N          | N          |            |  |                         |  |
|             | sheet    | 1   | 2          | 3                                     | 4          | 5          |            |            |  |                         |  |

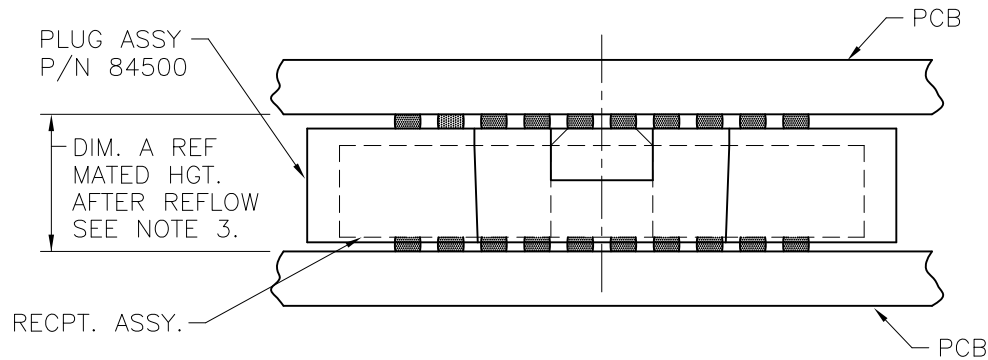
PRODUCT NUMBER  
SEE TABLE



TAPE & REEL PACKAGING SCALE: NONE  
PER EIA 481-3

|             |                |            |            |                                       |         |            |  |                         |  |
|-------------|----------------|------------|------------|---------------------------------------|---------|------------|--|-------------------------|--|
| mat'l. code |                | surface    |            | tolerance                             |         | projection |  | product family          |  |
| SEE NOTE 1  |                | ASME Y14.5 |            | ASME Y14.5                            |         | MM         |  | MEG-ARRAY               |  |
| ltr         | ecn no         | dr         | date       | tolerances unless otherwise specified |         | MM         |  | title                   |  |
| N           |                |            |            | angles                                | inches  | MM         |  | 0mm PLUG ASSEMBLY       |  |
|             |                |            |            | 0° ±2'                                | XXX+051 | scale 2:1  |  | 10 X 30 = 300 POSITIONS |  |
|             |                | dr         | D. WAUGHEN | 1998-12-16                            |         | FCI        |  | dwg no                  |  |
|             |                | enr        | D. HARPER  | 1998-12-16                            |         |            |  | sheet 2 of 5            |  |
|             |                | chr        | D. HARPER  | 1998-12-16                            |         |            |  | size                    |  |
|             |                | appd       | D. HARPER  | 1998-12-16                            |         |            |  | 84500                   |  |
| sheet index | revision sheet |            |            |                                       |         |            |  | type                    |  |
|             |                |            |            |                                       |         |            |  | CUSTOMER Drawing        |  |
|             |                |            |            |                                       |         |            |  | A4                      |  |

PRODUCT NUMBER  
SEE TABLE



| MATED HEIGHT TABLE |                  |              |
|--------------------|------------------|--------------|
| DIM. A             | RECPT. ASSY. P/N | -2XX PLATING |
| 4.0                | 84501            | SEE NOTE 4.  |
| 5.5                | 84502            | *            |
| 8.0                | 84553            | SEE NOTE 5.  |

\* 84502 NOT AVAILABLE IN TELCORDIA/NORTEL VERSION.

MATED HEIGHT AFTER REFLOW IS BASED ON  $\phi$  .64mm PAD (METAL-DEFINED) AND .13mm SOLDER PASTE STENCIL THICKNESS. SEE NOTE 3.

END VIEW – MATED CONNECTORS SCALE: NONE

|             |                |            |            |                                       |  |            |           |                |                        |      |                    |  |
|-------------|----------------|------------|------------|---------------------------------------|--|------------|-----------|----------------|------------------------|------|--------------------|--|
| mat'l. code |                | surface    |            | tolerance                             |  | projection |           | product family |                        |      |                    |  |
| SEE NOTE 1  |                | ASME Y14.5 |            | ASME Y14.5                            |  |            |           | MEG-ARRAY      |                        |      |                    |  |
| ltr         | ecn no         | dr         | date       | tolerances unless otherwise specified |  |            |           | title          |                        |      |                    |  |
| N           |                |            |            | angles                                | <table border="1"> <tr><td>x*3</td></tr> <tr><td>.XX*.13</td></tr> <tr><td>XXX*.051</td></tr> </table> | x*3        | .XX*.13   | XXX*.051       | MM                     |      | 10mm PLUG ASSEMBLY |  |
| x*3         |                |            |            |                                       |  |            |           |                |                        |      |                    |  |
| .XX*.13     |                |            |            |                                       |  |            |           |                |                        |      |                    |  |
| XXX*.051    |                |            |            |                                       |  |            |           |                |                        |      |                    |  |
|             |                |            |            | 0' ±2'                                | <table border="1"> <tr><td>MM</td></tr> </table>   | MM         | scale 2:1 |                | 10 X 30 = 300 POSITION |      |                    |  |
| MM          |                |            |            |                                       |  |            |           |                |                        |      |                    |  |
|             |                | dr         | D. WAUGHEN | 1998-12-16                            |  |            | dwg no    |                | sheet 3 of 5           | size |                    |  |
|             |                | engr       | D. HARPER  | 1998-12-16                            |  |            | 84500     |                | A4                     |      |                    |  |
|             |                | chr        | D. HARPER  | 1998-12-16                            |  |            | type      |                | CUSTOMER Drawing       |      |                    |  |
|             |                | appd       | D. HARPER  | 1998-12-16                            |  |            |           |                |                        |      |                    |  |
| sheet index | revision sheet |            |            |                                       |  |            |           |                |                        |      |                    |  |

| PRODUCT NUMBER         | PICK-UP CAP<br>(NATURAL OR<br>BLACK IN COLOR) | CONTACT PLATING<br>AND THICKNESS   | SOLDER BALL          | NOTES                       |
|------------------------|---|------------------------------------|----------------------|-----------------------------|
| 84500-002              | YES   | 15µ" (.38µm) Au                    | SnPb                 |                             |
| 84500-002LF            | YES   | 15µ" (.38µm) Au                    | LEAD FREE            | 7 & 8                       |
| 84500-092              | YES   | 15µ" (.38µm) GXT                   | SnPb                 |                             |
| 84500-092LF            | YES   | 15µ" (.38µm) GXT                   | LEAD FREE            | 7 & 8                       |
| 84500-102              | YES   | 30µ" (.76µm) Au                    | SnPb                 |                             |
| 84500-102LF            | YES   | 30µ" (.76µm) Au                    | LEAD FREE            | 7 & 8                       |
| 84500-192              | YES   | 30µ" (.76µm) GXT                   | SnPb                 |                             |
| 84500-192LF            | YES   | 30µ" (.76µm) GXT                   | LEAD FREE            | 7 & 8                       |
| 84500-202              | YES   | 50µ" (1.27µm) Au SPECIAL           | SnPb                 | 4, & 5                      |
| 84500-202LF            | YES   | 50µ" (1.27µm) Au SPECIAL           | LEAD FREE            | 4, 5, 7 & 8                 |
| 84500-292              | YES   | 50µ" (1.27µm) GXT SPECIAL          | SnPb                 | 4, & 5                      |
| 84500-292LF            | YES   | 50µ" (1.27µm) GXT SPECIAL          | LEAD FREE            | 4, 5, 7, & 8                |
| 84500-A02              | YES   | 30µ" (.76µm)                       | SnPb                 | 9                           |
| 84500-A02LF            | YES   | 30µ" (.76µm)                       | LEAD FREE            | 7, 8 & 9                    |
| <del>84500-302</del>   | <del>YES</del>                                | <del>15µ" (.38µm) Au SPECIAL</del> | <del>SnPb</del>      | <del>9</del>                |
| <del>84500-302LF</del> | <del>YES</del>                                | <del>15µ" (.38µm) Au SPECIAL</del> | <del>LEAD FREE</del> | <del>8 &amp; 9</del>        |
| <del>84500-402</del>   | <del>YES</del>                                | <del>30µ" (.76µm) Au SPECIAL</del> | <del>SnPb</del>      | <del>9</del>                |
| <del>84500-402LF</del> | <del>YES</del>                                | <del>30µ" (.76µm) Au SPECIAL</del> | <del>LEAD FREE</del> | <del>8 &amp; 9</del>        |
| <del>84500-502</del>   | <del>YES</del>                                | <del>Au SPECIAL</del>              | <del>SnPb</del>      | <del>4, 5 &amp; 9</del>     |
| <del>84500-502LF</del> | <del>YES</del>                                | <del>Au SPECIAL</del>              | <del>LEAD FREE</del> | <del>4, 5, 8, &amp; 9</del> |


|             |                |      |      |                                       |              |            |  |            |  |                         |  |
|-------------|----------------|------|------|---------------------------------------|--------------|------------|--|------------|--|-------------------------|--|
| mat'l. code |                | SnPb |      | surface                               |              | tolerance  |  | projection |  | product family          |  |
| SEE NOTE 1  |                |      |      | ASME Y14.5                            |              | ASME Y14.5 |  |            |  | MEG-ARRAY               |  |
| ltr         | ecn no         | dr   | date | tolerances unless otherwise specified |              |            |  |            |  | title                   |  |
| N           |                |      |      | angles                                | XXX+051      | MM         |  |            |  | 0mm PLUG ASSEMBLY       |  |
|             |                |      |      | 0° ±2'                                | XXX+051      | scale 2:1  |  |            |  | 10 X 30 = 300 POSITIONS |  |
|             |                |      |      | dr                                    | T. BREWBAKER | 2011-06-06 |  |            |  | dwg no                  |  |
|             |                |      |      | engr                                  | T. BREWBAKER | 2011-06-06 |  |            |  | sheet 4 of 5 size       |  |
|             |                |      |      | chr                                   | T. BREWBAKER | 2011-06-06 |  |            |  | 84500 A4                |  |
|             |                |      |      | appd                                  | D. HORCHLER  | 2011-06-06 |  |            |  | type CUSTOMER Drawing   |  |
| sheet index | revision sheet |      |      |                                       |              |            |  |            |  |                         |  |

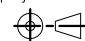
PRODUCT NUMBER  
SEE TABLE

NOTES:

- ① MATERIAL:  
HOUSING: LCP  
CONTACT: COPPER ALLOY  
  
PLATING:  
CONTACT: (SEE TABLE)  
SOLDER BALL: (SEE TABLE)  
EUTECTIC SnPb OR LEAD FREE  
95.5Sn/4Ag/0.5Cu
- ② SOLDER BALLS WILL NOT BE PERFECT SPHERICAL SHAPE DUE TO REFLOW ATTACHMENT.
- ③ MATED HEIGHT EFFECTED BY CUSTOMER'S PCB PAD SIZE, PLATING, SOLDER REFLOW PROFILE, & SOLDER PASTE.
- ④ PLATING FOR INDICATED -2XX SERIES PRODUCT NUMBERS MEET THE REQUIREMENTS OF (GR-1217-CORE, CENTRAL OFFICE ENVIRONMENT, 25 YEAR LIFE EXPECTANCY).
- ⑤ PLATING FOR INDICATED -2XX SERIES PART NOS. IS Au OVER Ni WITH SPECIAL CONTACT GEOMETRY TO MEET REQUIREMENTS OF TELCORDIA GR-1217-CORE: CENTRAL OFFICE ENVIRONMENT.
- ⑥ KNIT LINE: SLIGHT VISIBLE MARKS (USUALLY A LINE) INDICATING THE DIRECTION AND MEETING POINT OF PLASTIC RESIN FLOW FRONTS TRAVELING AROUND ANY OBSTRUCTIONS TO THE RESIN FLOW VIA THE REQUIRED MOLD TOOLING.

- ⑦ FOR PROPER APPLICATION FOLLOW FCI APPLICATION SPECIFICATION GS-20-033 LEAD FREE SOLDER BALLS WILL NOT SOLDER PROPERLY IN A LEADED SOLDER PROCESS DUE TO A HIGHER REFLOW TEMPERATURE. LEAD FREE PRODUCT IS THEREFORE NOT BACKWARDS COMPATIBLE WITH LEADED OR SOME SOLDERING APPLICATIONS. REFERENCE FCI APPLICATION SPECIFICATION.
- ⑧ THIS PRODUCT MEETS EUROPEAN UNION DIRECTIVES AND OTHER COUNTRY REGULATIONS AS DESCRIBED IN GS-47-0004 PRODUCT MEETING THIS DIRECTIVE IS IDENTIFIED IN THE LOT CODE NUMBER MARKED ON EACH PART BY HAVING AN "X" IN THE SEVENTH CHARACTER POSITION.
- ⑨ 84500-A02 AND -A02LF ARE CUSTOMER SPECIALS.
- ⑩ CURRENT COMPANY LOGO TO BE VISIBLE IN APPROXIMATE AREA SHOWN.

11. A  SYMBOL WILL BE NEXT TO ANY DIMENSION, NEW VIEW OR NOTE WHICH HAS BEEN MODIFIED WITH THE CURRENT DRAWING REVISION

|             |        |                |              |                                       |         |   |              |                         |  |
|-------------|--------|----------------|--------------|---------------------------------------|---------|---|--------------|-------------------------|--|
| mat'l. code |        | surface        |              | tolerance                             |         | projection  |              | product family          |  |
| SEE NOTE 1  |        | ASME Y14.5     |              | ASME Y14.5                            |         |  |              | MEG-ARRAY               |  |
| ltr         | ecn no | dr             | date         | tolerances unless otherwise specified |         |   |              | title                   |  |
| N           |        |                |              | angles                                | mm      | MM  |              | 0mm PLUG ASSEMBLY       |  |
|             |        |                |              | 0° ±2'                                | XXX+051 | scale 2:1   |              | 10 X 30 = 300 POSITIONS |  |
|             |        | dr             | T. BREWBAKER | 2011-06-06                            |         |   | dwg no       |                         |  |
|             |        | engr           | T. BREWBAKER | 2011-06-06                            |         |   | sheet 5 of 5 |                         |  |
|             |        | chr            | T. BREWBAKER | 2011-06-06                            |         |   | size         |                         |  |
|             |        | appd           | D. HORCHLER  | 2011-06-06                            |         |   | A4           |                         |  |
| sheet index |        | revision sheet |              |                                       |         |   |              | type CUSTOMER Drawing   |  |