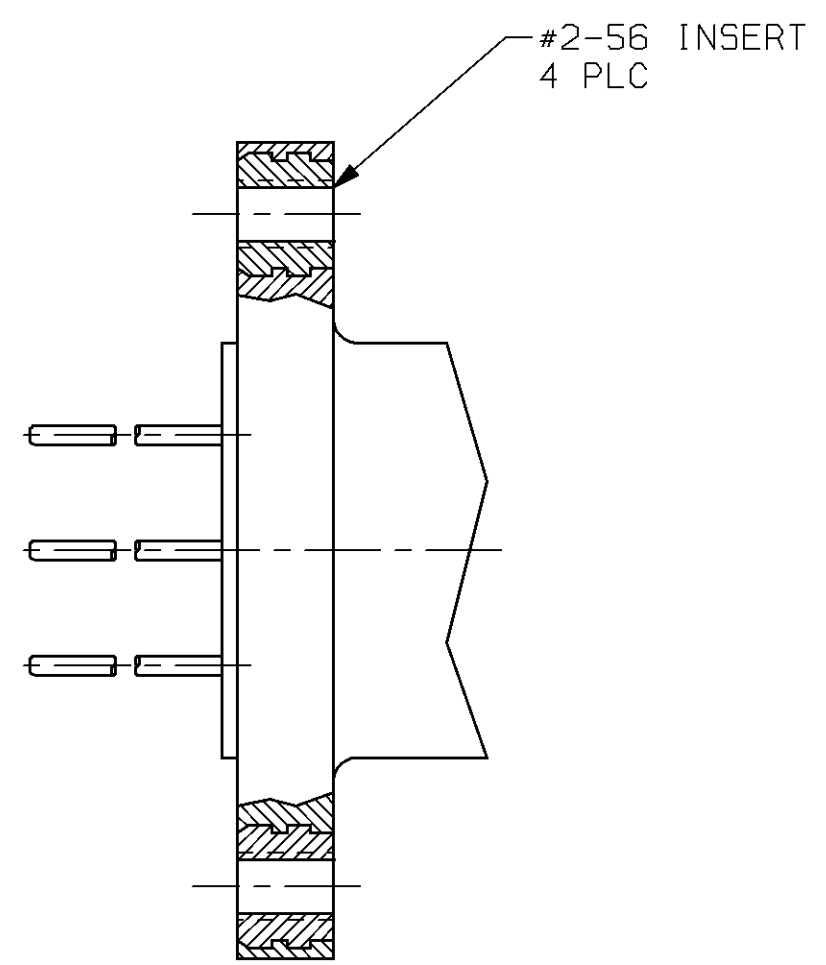
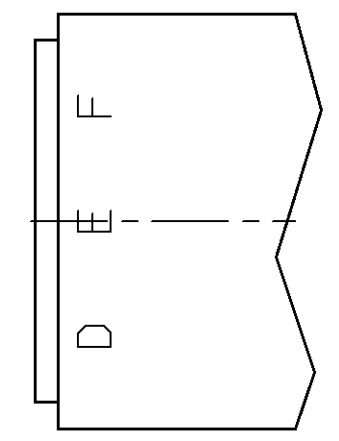
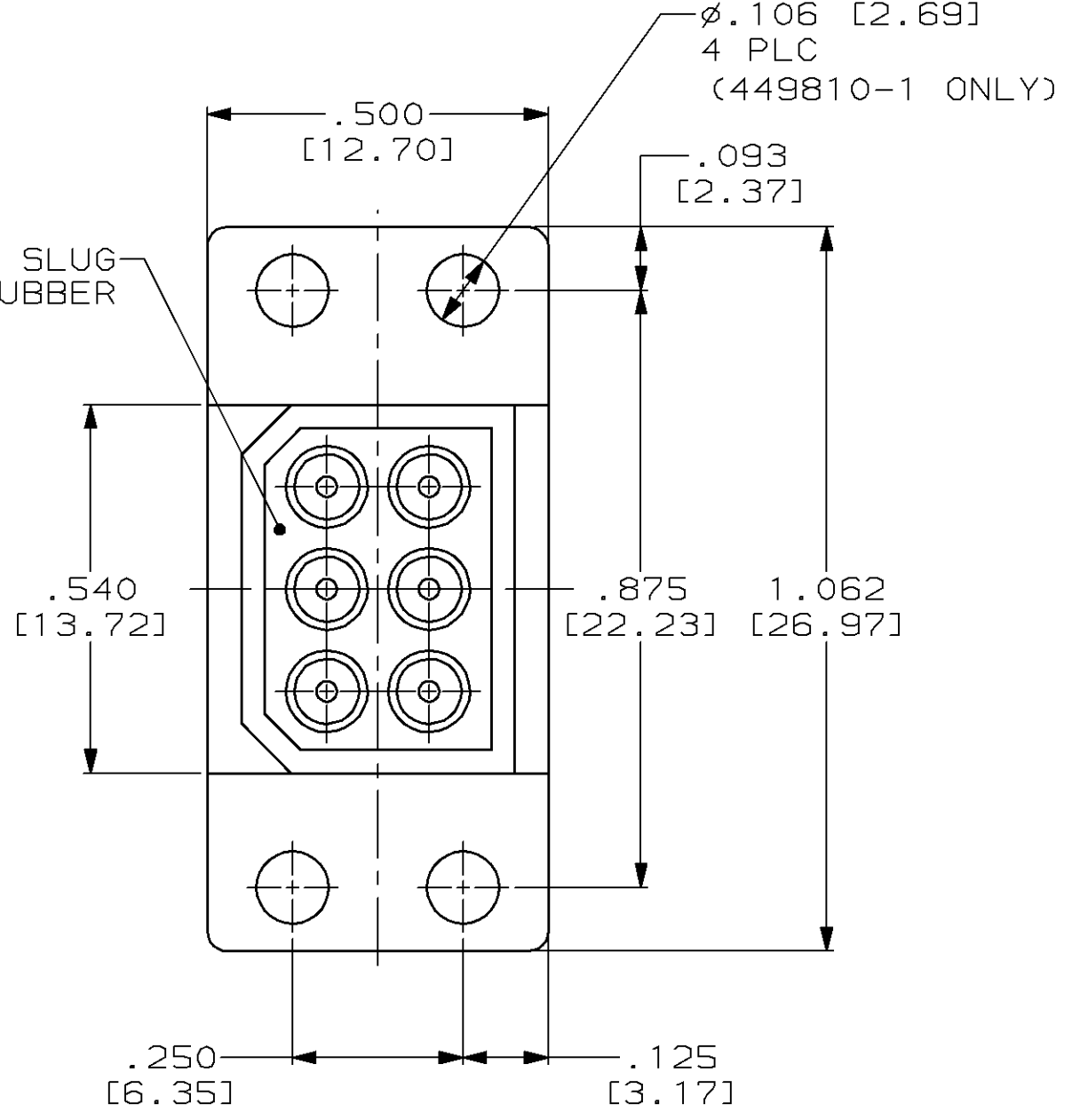
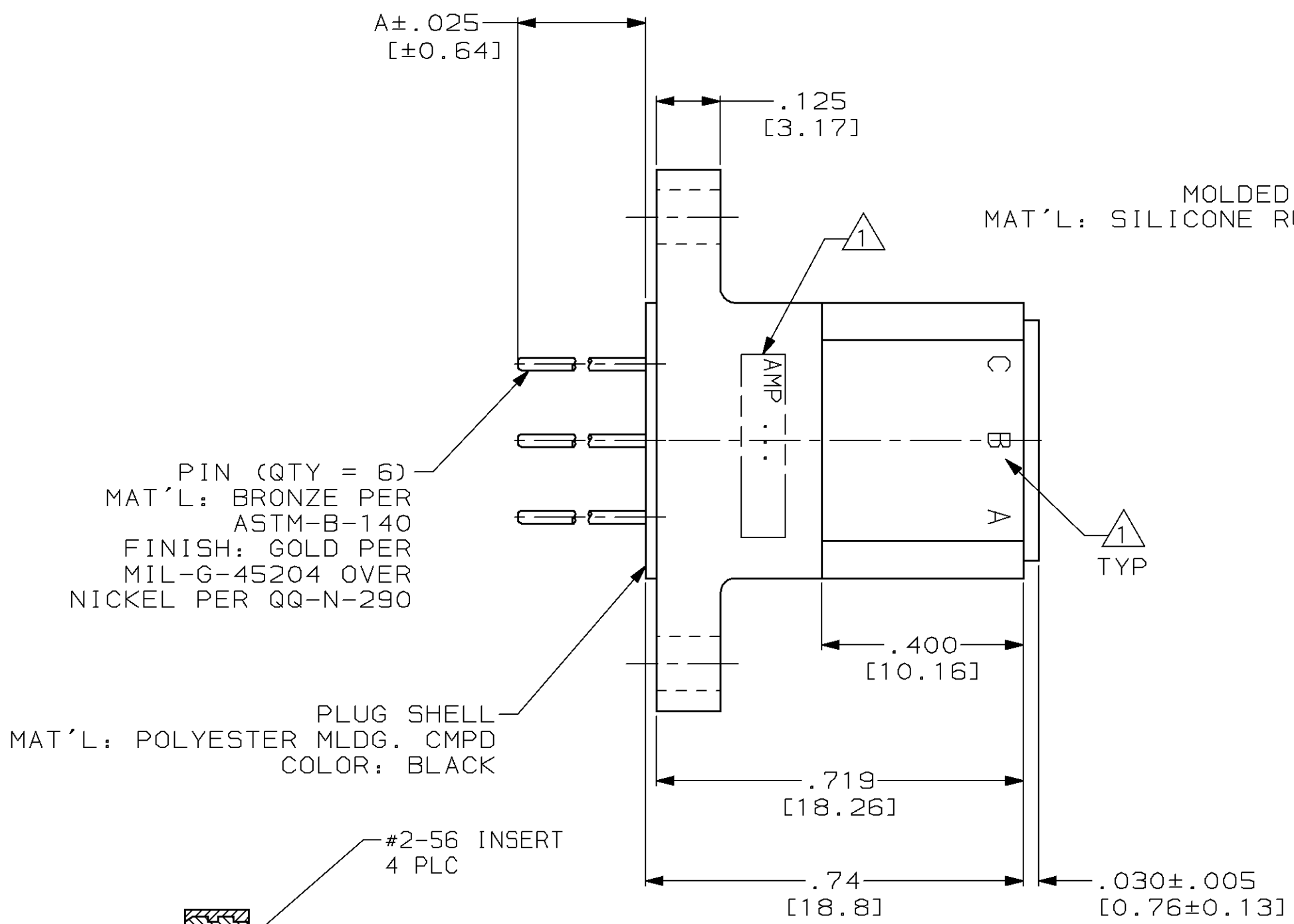


PROD CODE	LOC	DIST	P	F	ZONE	LTR	REVISIONS	DATE	APPD
4081	DF	50					DESCRIPTION		
							ADD -3 PER 0600-7473-98	CT 5-98	DE

1 CAVITY I.D. & AMP INFO. MARKED PER MIL-STD-130.



.750 [19.05]	449810-3
.245 [6.22]	449810-2
.245 [6.22]	449810-1
DIM A	PART NUMBER

DO NOT SCALE PRINT. UNLESS SPECIFIED DIMENSIONS IN INCHES [mm] TOLERANCES ON: 2 PLC DEC ± .03 [0.81] 3 PLC DEC ± .010 [0.25] ANGLES ± -	DR 10-5-93 C.C. THOMAS	AMP Incorporated Harrisburg, PA 17105-3608		
	CHK 10-6-93 D.EABY			
MATERIAL SEE CALLOUTS	APPD 10-6-93 D.EABY	NAME PLUG ASSY WITH Ø.025 POSTS, LGH		
	APPD 10-6-93 C. THOMAS	PRODUCT SPEC -		
FINISH SEE CALLOUTS	APPLICATION SPEC -	SIZE C	CAGE CODE 00779	DRAWING NO 449810
	WEIGHT -	SCALE 4:1	SHEET 1 OF 1	