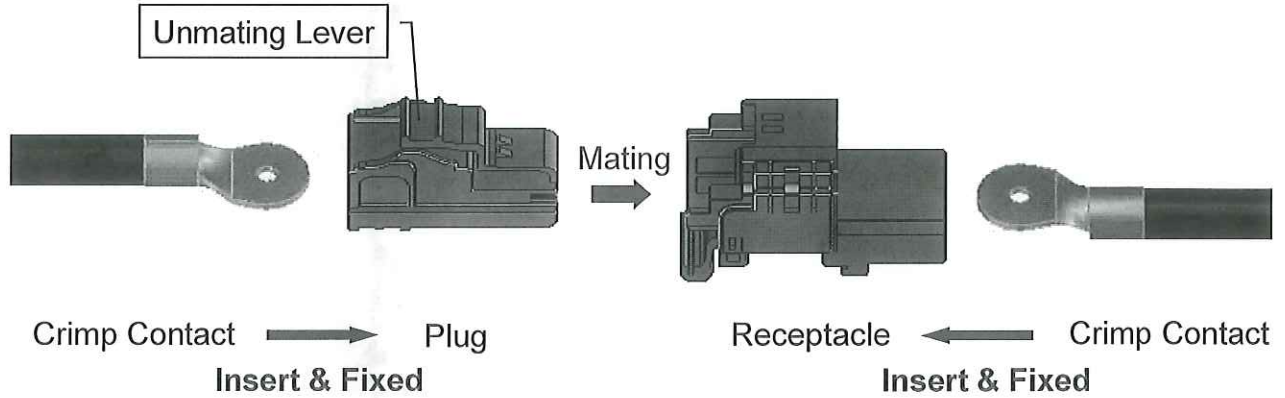


Quick & Secure One-Step Connection

- ◆ All the connection is completed just inserting the components.



NOTE: Retention force of the crimp contact is expected to be approx. 150 N.

*Image: DIN rail mount type

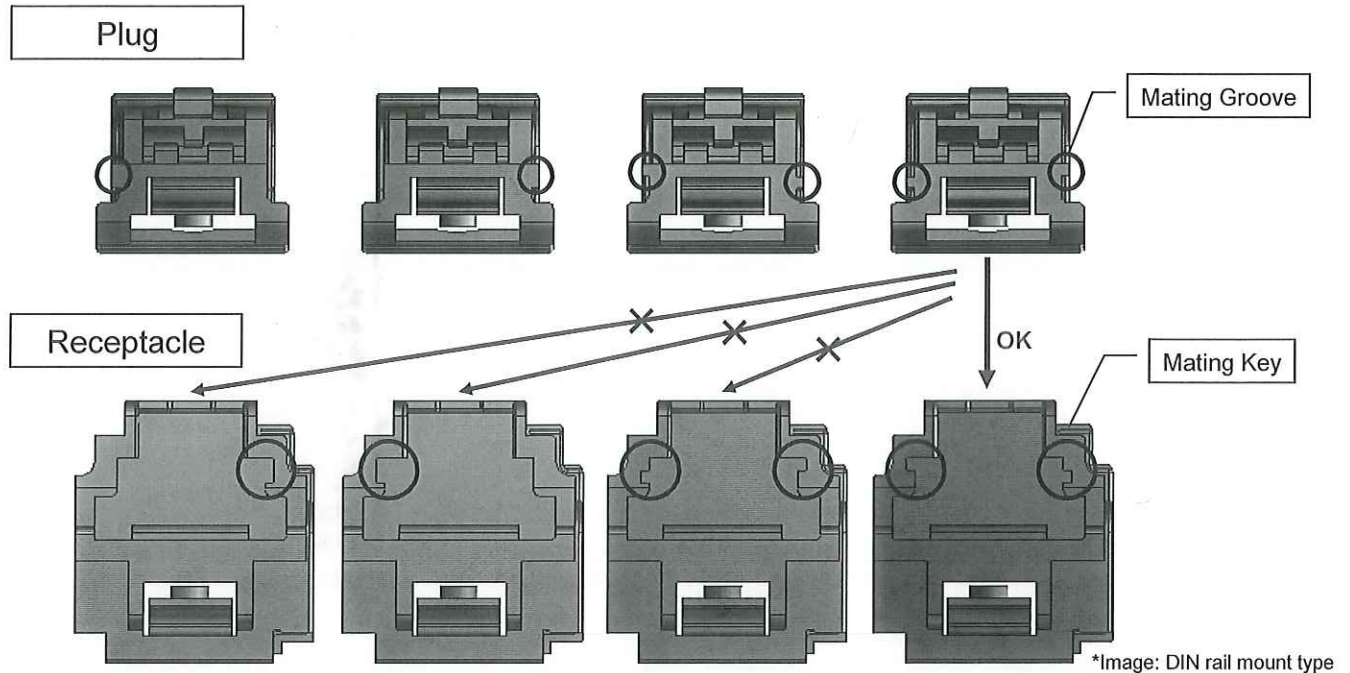
One-step assembly & mating

Specifications herein are subject to change without notice.
Contact Hirose for latest specifications, drawings, or availabilities.

Issued: Mar. 5, 2013

HRS HIROSE
ELECTRIC
CO.,LTD.

Mating Keys for Multiple Use



4 types of keyings are available to prevent mis-mating in multiple connectors.

Specifications herein are subject to change without notice.
Contact Hirose for latest specifications, drawings, or availabilities.

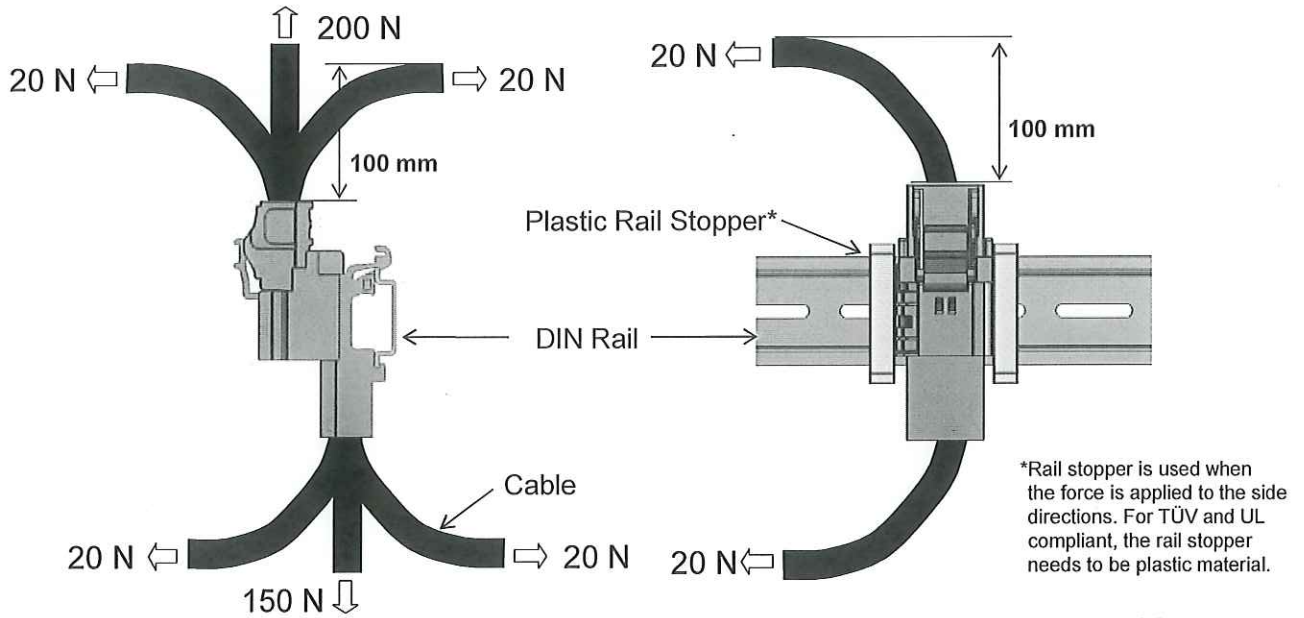
Issued: Mar. 5, 2013

HRS HIROSE
ELECTRIC
CO.,LTD.

Allowable Mechanical Stress to the Connector

- ◆ Stabilize the cable with cable tie and such, and keep the mechanical stress applied to the connector by cabling below the specified forces as shown to avoid connector breakage.

[Measurement Conditions]
 Cabling space is supposed 100 mm from connector edge.
 Cable used for the evaluation: Hitachi Cable, 600 V MLFC 38 mm²
 *Strength varies depending on the cable type.



Specifications herein are subject to change without notice.
 Contact Hirose for latest specifications, drawings, or availabilities.

Issued: Mar. 5, 2013

HRS HIROSE
 ELECTRIC
 CO.,LTD.