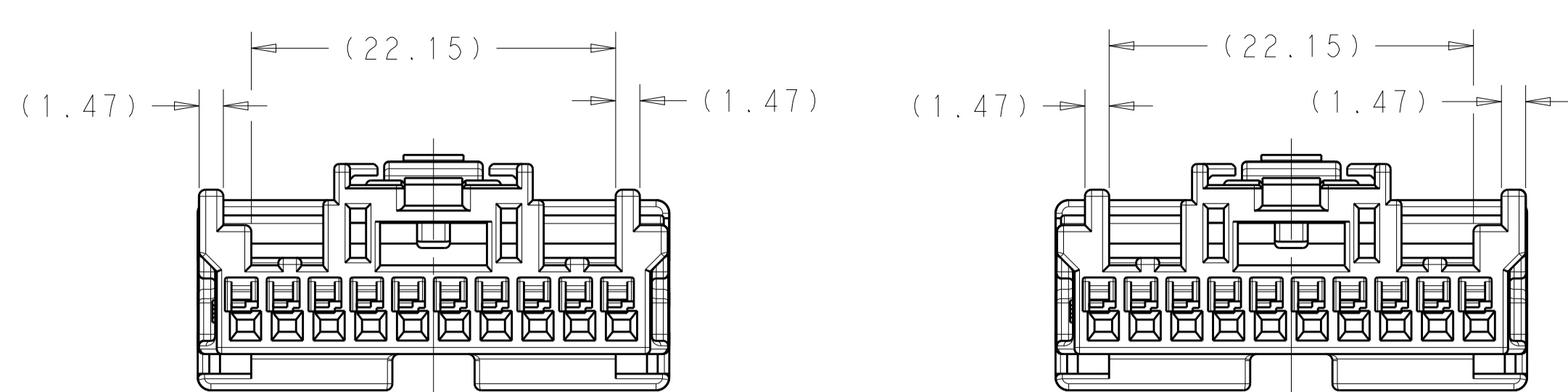
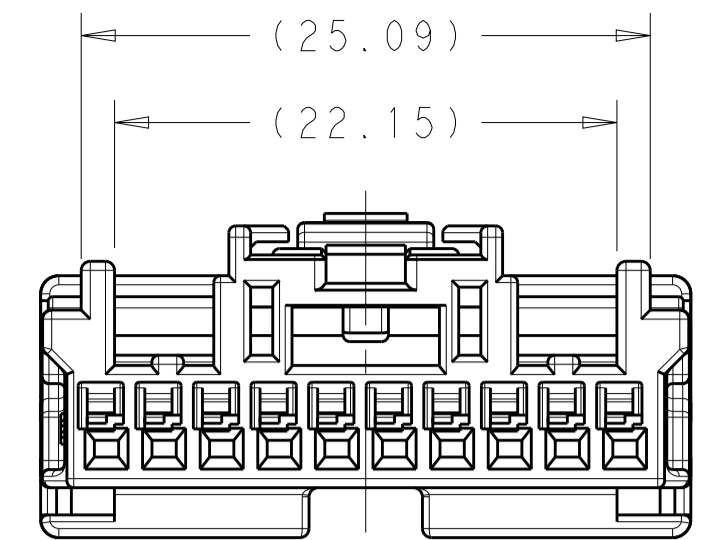


REVISIONS				
P.	LTN	DESCRIPTION	DATE	APVD
A1		REVISED PER ECO-13-008788	23MAY2013	DLD MDB
A2		REVISED PER ECO-14-001805	06FEB2014	DLD MDB

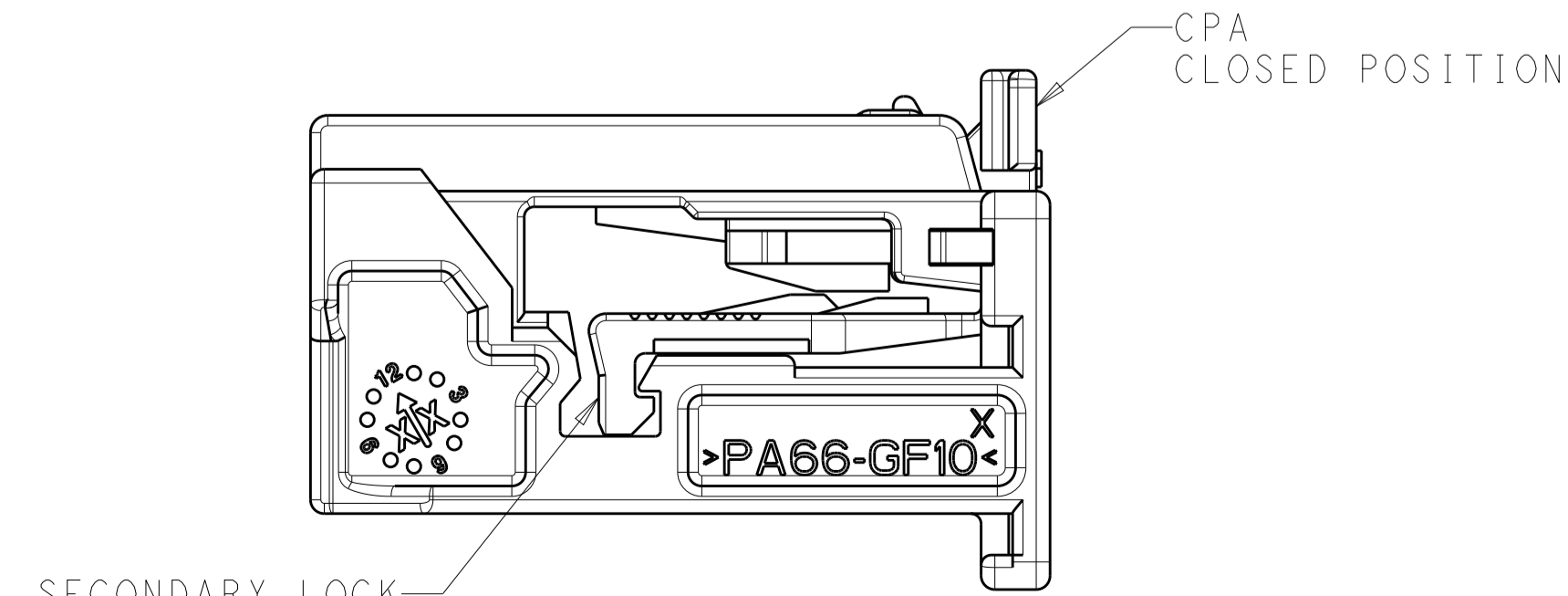
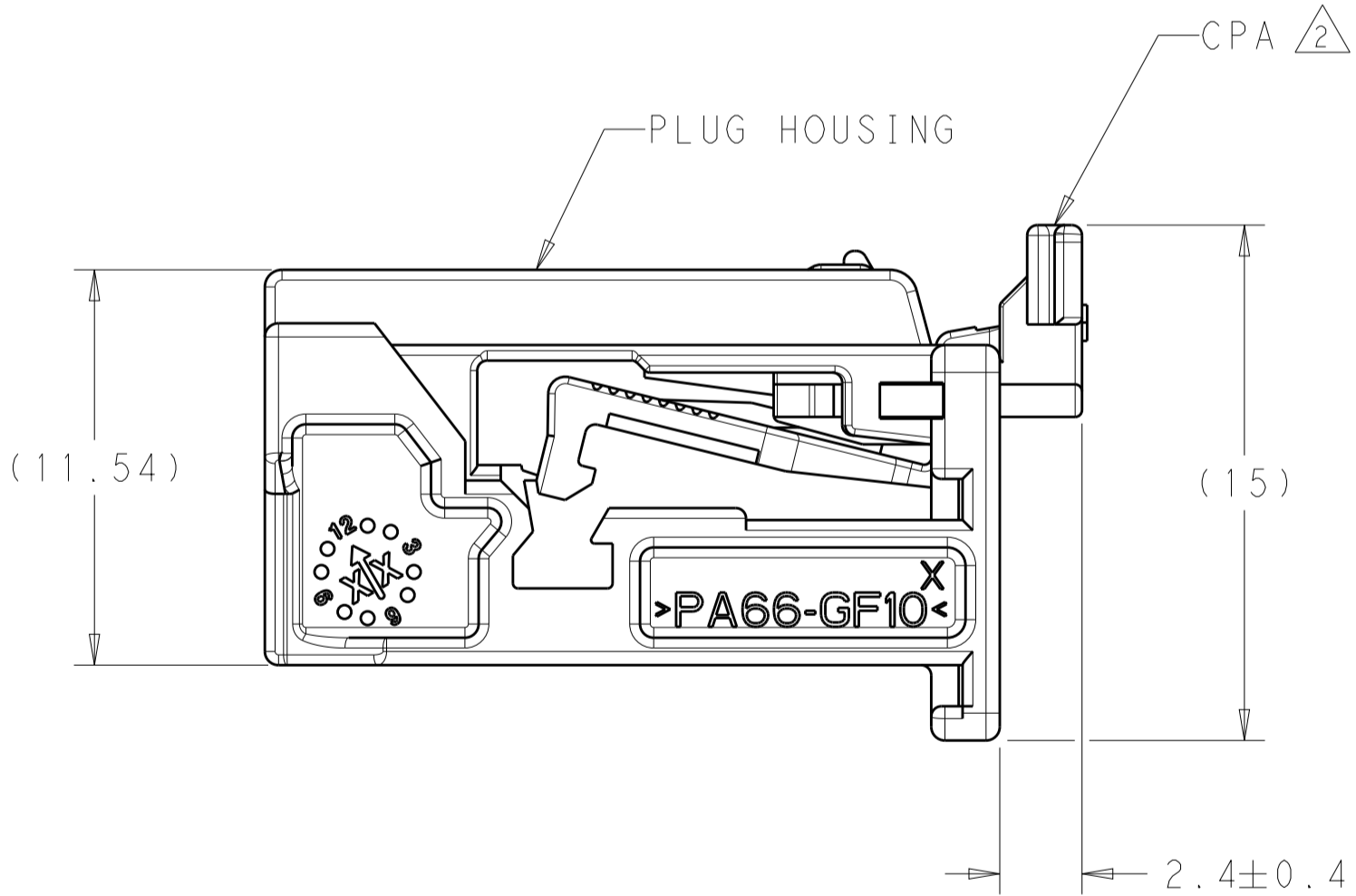
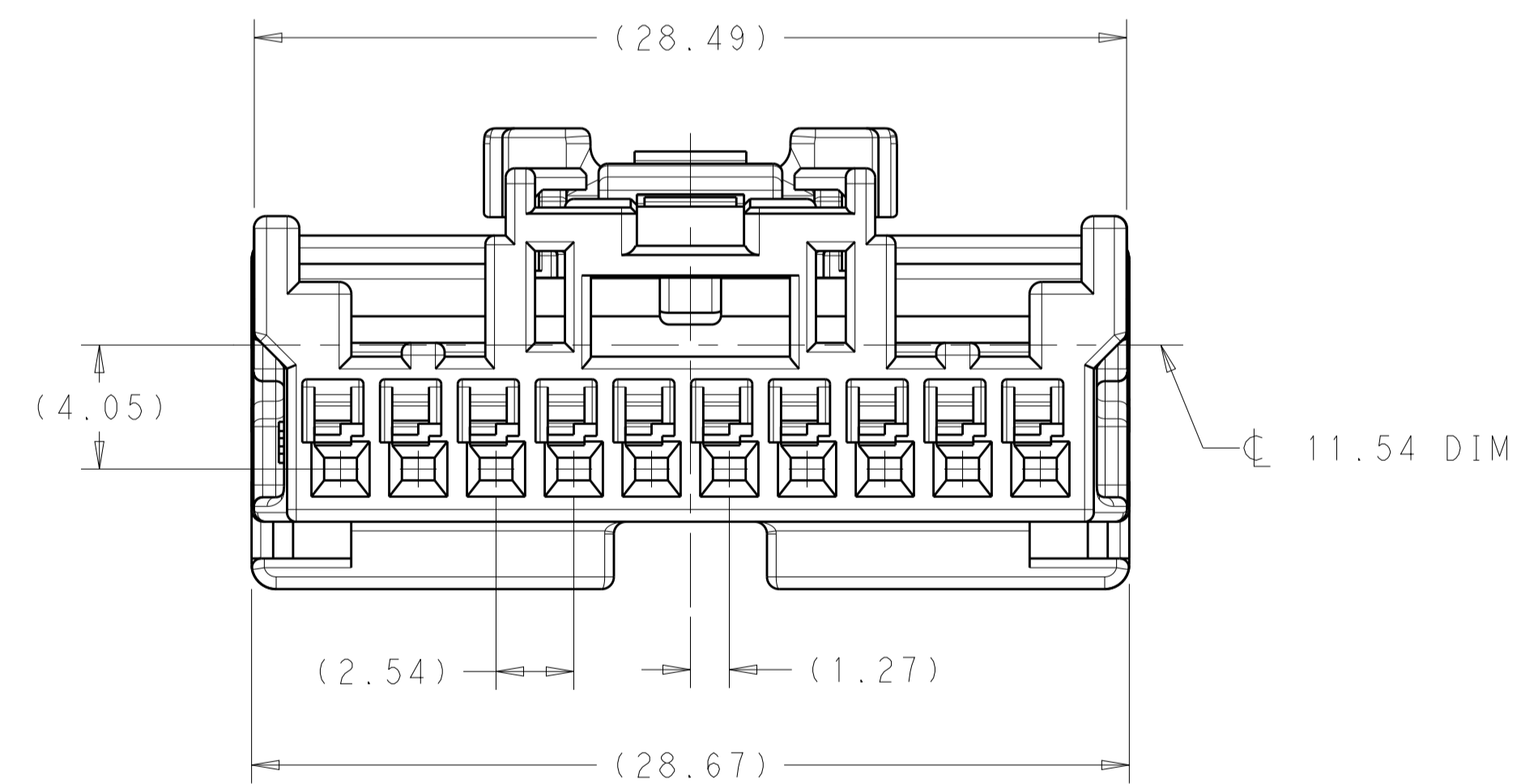
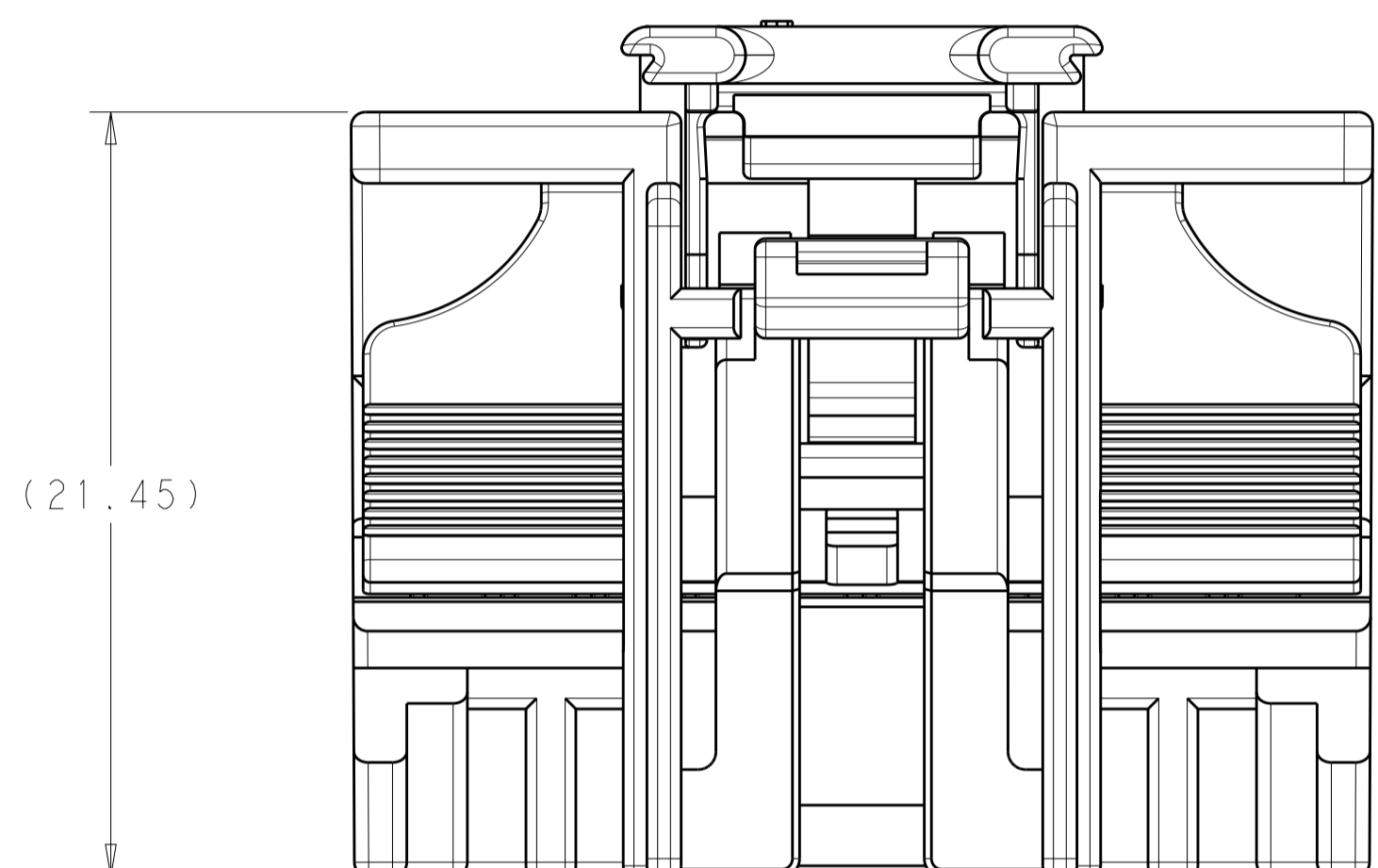


KEYING OPTION B
SCALE 3:1

KEYING OPTION D
SCALE 3:1

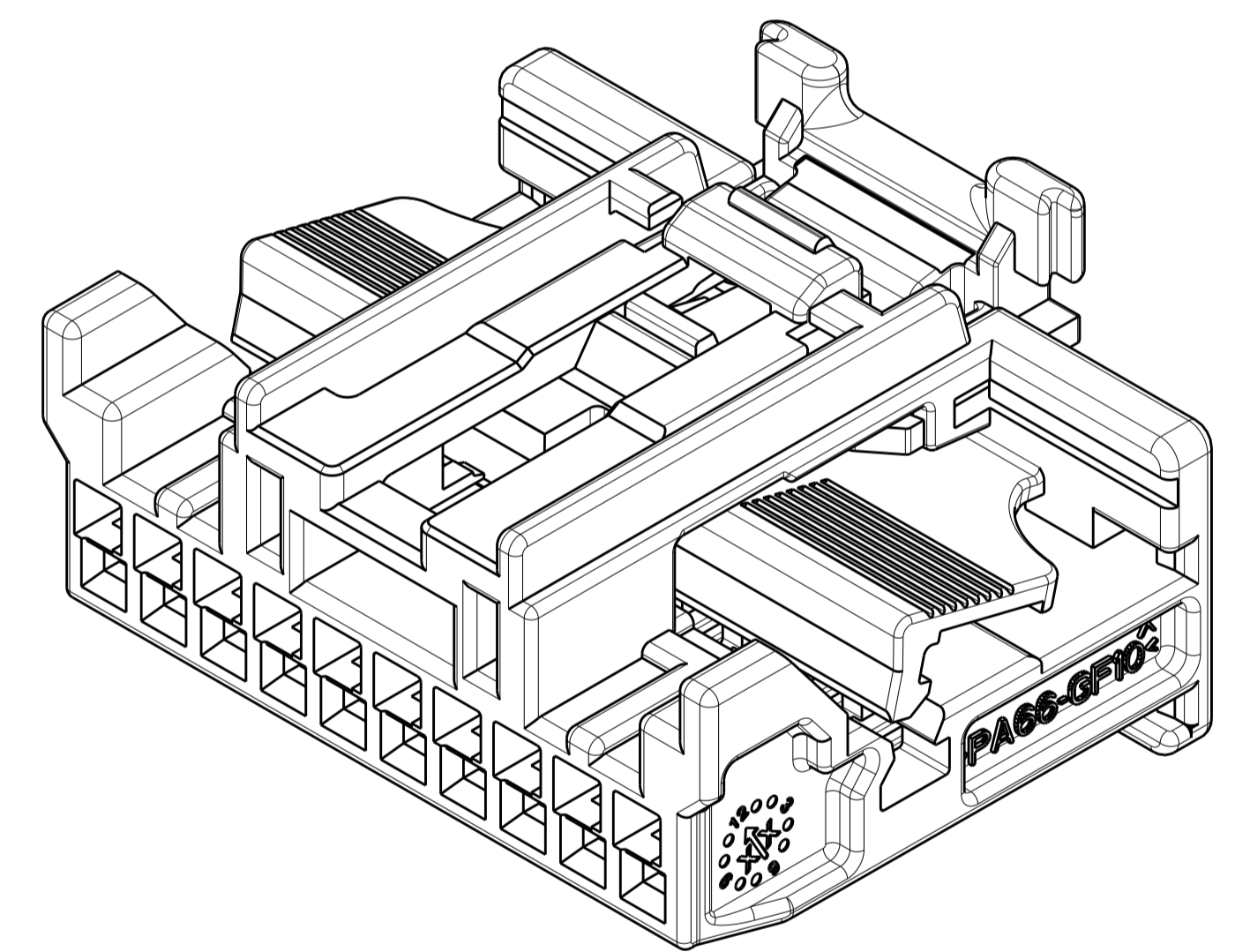


KEYING OPTION F
SCALE 3:1



2138504-1 AS ASSEMBLED

- ⚠ MATERIAL: PLUG HOUSING - PA66, 10% GLASS FILLED, NATURAL (BROWN)
CPA - PA66, 35% GLASS FILLED, NATURAL (WHITE).
- ⚠ CPA SHOWN IN PRE-STAGED, AS SHIPPED, POSITION.
- 3. PLUG ASSEMBLY MATES WITH USCAR INTERFACE DRAWING 064-U-010-1-Z04, REVISION LEVEL C.
- 4. PLUG ASSEMBLY WILL ACCEPT THE FOLLOWING TERMINAL PART NUMBERS BASED ON ENVIRONMENT DEFINITION:
2035170-1, 2035170-2 (FOR CONNECTOR ENVIRONMENTS T3 AND BELOW)
AND 20981651, 20981652 (FOR TRANSMISSION SPECIFIC ENVIRONMENTS WITH TEMPERATURE RATING OF T3 TRANSMISSION).
THE MAXIMUM ALLOWABLE INSULATION DIAMETER IN ANY CASE IS 1.65mm.
- ⚠ PART NUMBERS MARKED AS PRELIMINARY HAVE NOT BEEN RELEASED PER FORMAL QUALIFICATIONS.
- 6. NOTE REMOVED.
- 7. ASSEMBLY IS SHIPPED WITH SECONDARY LOCK IN THE PRE-LOCK POSITION AS SHOWN. SECONDARY LOCK MAY CLOSE INADVERTENTLY DURING SHIPPING. IF THIS OCCURS, RELOCATE SECONDARY LOCK TO THE OPEN POSITION PRIOR TO INSERTION OF TERMINALS. SEE INSTRUCTION SHEET 408-32069 FOR OTHER DETAILED ASSEMBLY INSTRUCTIONS.



PRELIMINARY	F	2138504-4
PRELIMINARY	D	2138504-3
PRELIMINARY	B	2138504-2
RELEASED	A	2138504-1
AVAILABILITY	KEYING OPTION	PART NUMBER

2138504-1 AS SHOWN

DIMENSIONS:		TOLERANCES UNLESS OTHERWISE SPECIFIED:		MATERIAL:		FINISH:		WEIGHT:		CUSTOMER DRAWING:	
mm	0 PLC	±		PA66							
	1 PLC	±0.3									
	2 PLC	±0.10									
	3 PLC	±									
	4 PLC	±									
	ANGLES	±									



ASSEMBLY,
10 POSITION, SINGLE PIECE,
GENERATION Y

SIZE: CAGE CODE: DRAWING NO: RESTRICTED TO:
A1 00779 C=2138504

SCALE: 5:1 SHEET 1 OF 1 REV: A2