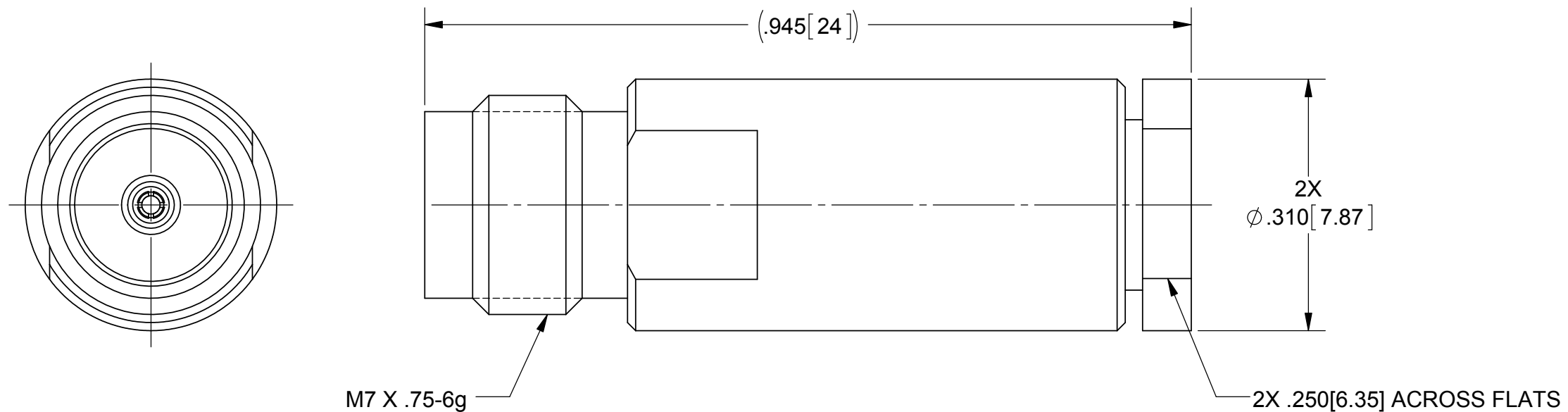


# PRODUCT DATA DRAWING

| REVISION HISTORY |                |          |          |
|------------------|----------------|----------|----------|
| REV              | DESCRIPTION    | DATE     | APPROVED |
| -                | REV. DCN 40100 | 10/01/13 | STW      |
| A                | REV. DCN 41068 | 01/21/15 | STW      |



**MATERIAL:**

**BODY, FERRULE, CLAMP NUT, INSERTS & SLEEVES:** STAINLESS STEEL PER AMS-5640, ALLOY UNS S30300, TYPE 1

**CONTACT:** BERYLLIUM COPPER PER ASTM B196, ALLOY No. UNS C17300, TD04

**INSULATOR:** PCTFE PER ASTM D1430

**FINISH:**

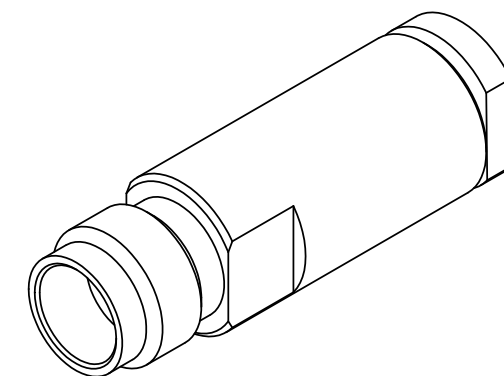
**BODY, CLAMP NUT, INSERTS & SLEEVES:** PASSIVATED PER AMS-2700.

**FERRULE & CONTACT:** GOLD PER ASTM B488, TYPE II, CODE C, CLASS 1.27, OVER NICKEL PER AMS-QQ-N-290, CLASS 1, .000050" MIN.

**PERFORMANCE:**

**IMPEDANCE:** 50 OHMS  
**FREQ. RANGE:** DC TO 65.0 GHz  
**VSWR:** 1.33:1 DC TO 65.0 GHz  
**INSERTION LOSS:** .03 X SQRT(F(F IN GHz))  
**DWV:** 500 VRMS  
**OPERATING TEMP.:** -55°C TO +125°C

**ENGAGEMENT/ DISENGAGEMENT:** 2 IN-LBS



|  |   |   |   |
|--|---|---|---|
| <b>MATERIAL:</b> SEE NOTES   | <b>DIMENSIONS ARE IN INCHES TOLERANCES:</b><br>FRACTIONAL: ±1/64 ANGULAR: X° ±1'0"<br>X"X' ±15' | <b>UNLESS OTHERWISE SPECIFIED</b><br>1) ALL DIMENSIONS ARE IN INCHES (MILLIMETERS)<br>2) ALL DIMENSIONS ARE AFTER PLATING.<br>3) BREAK CORNERS & EDGES .005 R. MAX.<br>4) CHAM. 1ST & LAST THREADS.<br>5) SURFACE ROUGHNESS 63-MIL-STD-10.<br>6) DIA. 'S ON COMMON CENTERS TO BE CONCENTRIC WITHIN .005 T.I.R.<br>7) REMOVE ALL BURRS | <b>SV Microwave, Inc.</b><br>2400 Centrepark West Drive, Suite 100<br>West Palm Beach, FL 33409 |
| <b>FINISH:</b> SEE NOTES   | DECIMAL: X ±.030<br>.XX ±.010<br>.XXX ±.005   | INTERPRET DIMENSIONS AND TOLERANCES PER ASME Y14.5M - 1994  | <b>TITLE:</b><br>1.85MM JACK<br>FOR Ø.047 SEMI-RIGID CABLE                                      |
| <b>SURFACE AREA:</b> N/A   | <b>THIRD ANGLE PROJECTION</b><br>   | <b>DRAWN:</b> JMC10/01/13<br><b>CHECKED:</b> STW 10/01/13<br><b>APPROVED:</b> STW 10/01/13  | <b>SIZE:</b> B <b>CAGE CODE:</b> 95077 <b>DWG. NO.:</b> SF3321-60005                            |
| <b>PROPRIETARY</b><br>THE INFORMATION CONTAINED IN THIS DRAWING IS THE SOLE PROPERTY OF SV MICROWAVE, INC. ANY REPRODUCTION IN PART OR AS A WHOLE WITHOUT THE WRITTEN PERMISSION OF SV MICROWAVE, INC IS PROHIBITED. |   |   | SCALE: 6:1 SHEET 1 OF 1   |