

CHARACTERISTICS

GENERAL:

This S07 connector is suitable for narrow space portable applications. It has an integral card detection switch.

ELECTRICAL PROPERTIES:

Insulation resistance : > 1000MΩ
 Dielectric withstanding voltage : > 1000 Vrms
 Current carrying capacity : min 10micronsA, MAX 1A
 Contact resistance : GSM II-II standard
 Card sensor type : Normally closed
 Voltage US : 5V ±0.1V with R=560 Ω

MECHANICAL PROPERTIES:

Contact Normal force : GSM II-II standard
 Durability : 10 000 card insertions

MATERIAL:

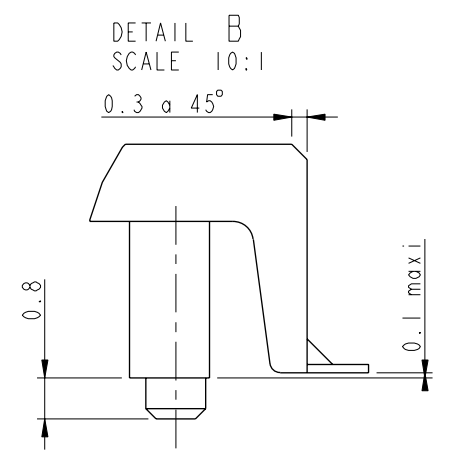
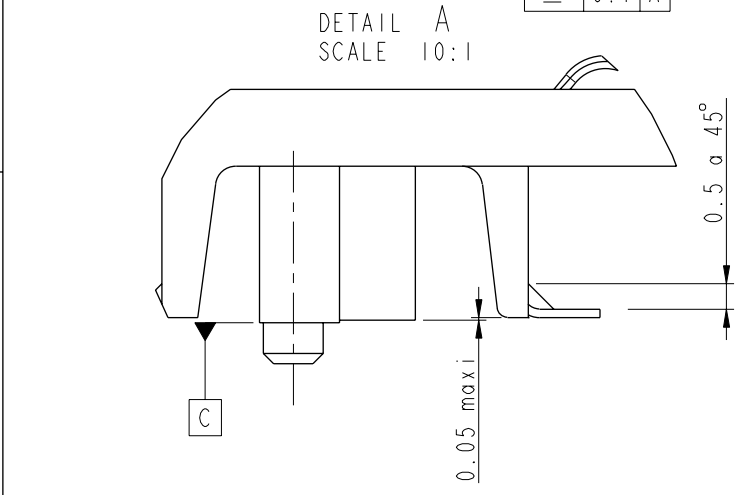
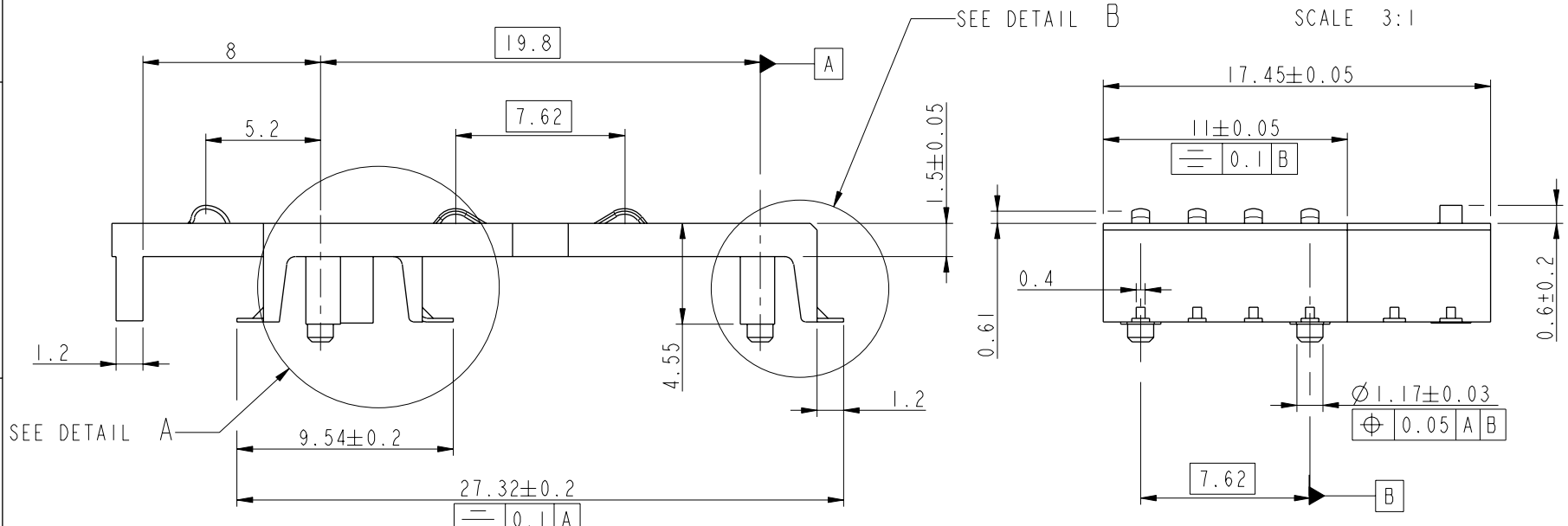
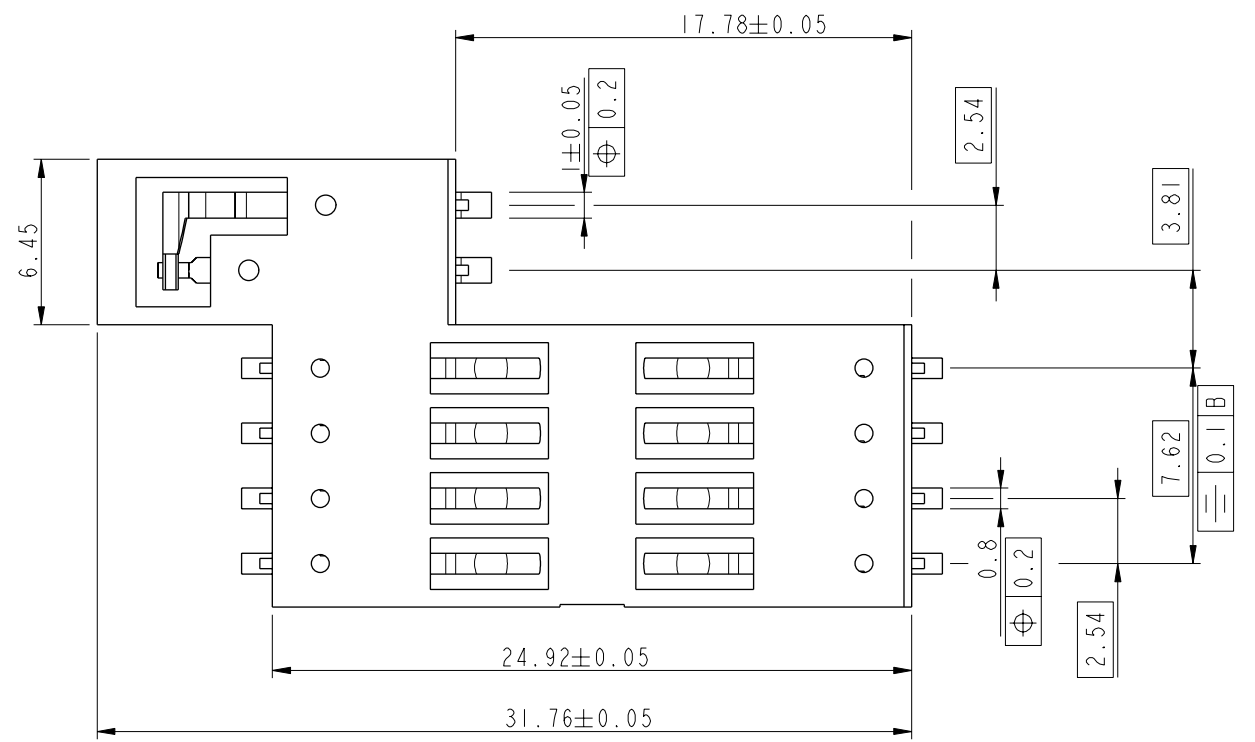
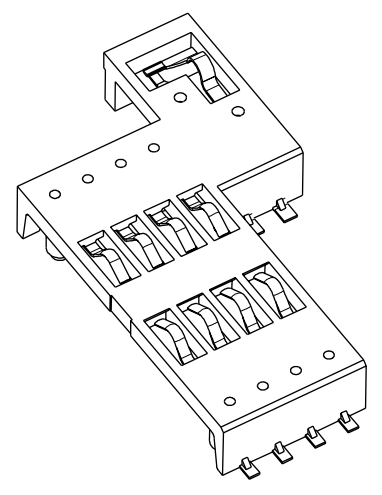
Housing : High Temperature Thermoplastic, colour Black, Rated UL94V0
 Contacts and switch : Copper Alloy, Thickness 0.16mm
 Plating : precoat Ni 2.5 microns min. all over
 - Contacts : Gold over Nickel on contact areas
 - Switch : Gold over Nickel on functional areas
 Bare edge allowed,
 Lead Free (Sn) on soldertails.

ENVIRONNEMENT:

Operating temperature : -40 °C / +90 °C
 Reflow soldering for Lead Free version : see note RoHs informations
 Climatic conditions : UTE C 93-421

APPLICATION DOCUMENT:

Product specification VGN11406/A



LEAD FREE PART NUMBER	Number of contacts
7312S0725A05LF	08

www.fciconnect.com		surface - ✓	tolerance std	projection	mm
		ISO 1302	ISO 406 ISO 1101	⊕	←→
		TOLERANCES UNLESS OTHERWISE SPECIFIED		size	Scale
		ANGULAR	0.X ±0.3	A2	5:1
		LINEAR	0.XX ±0.1		
		0° ±2°	0.XXX ±0.05	ECN	109-0019
		Product family		Spec ref	
rev	ecn no	dr	date		
A	-	-	-		
B	LS03-0006	JG	23/03/02		
C	LS05-0029	LGD	05/04/04		
D	LS05-0058	HLE	29/06/05		
E	LS06-0115	HLE	02/07/06		
F	108-0028	PKR	25/02/2008		
G	109-0019	PKR	06/02/2009		
Title		VJW 54511 CMS		dwg no	VJW54511
S07 BRIDGE		SEE NOTE		CUSTOMER	sheet 1 of 2
catalog no		SEE NOTE		CUSTOMER	sheet 1 of 2

Copyright FCJ

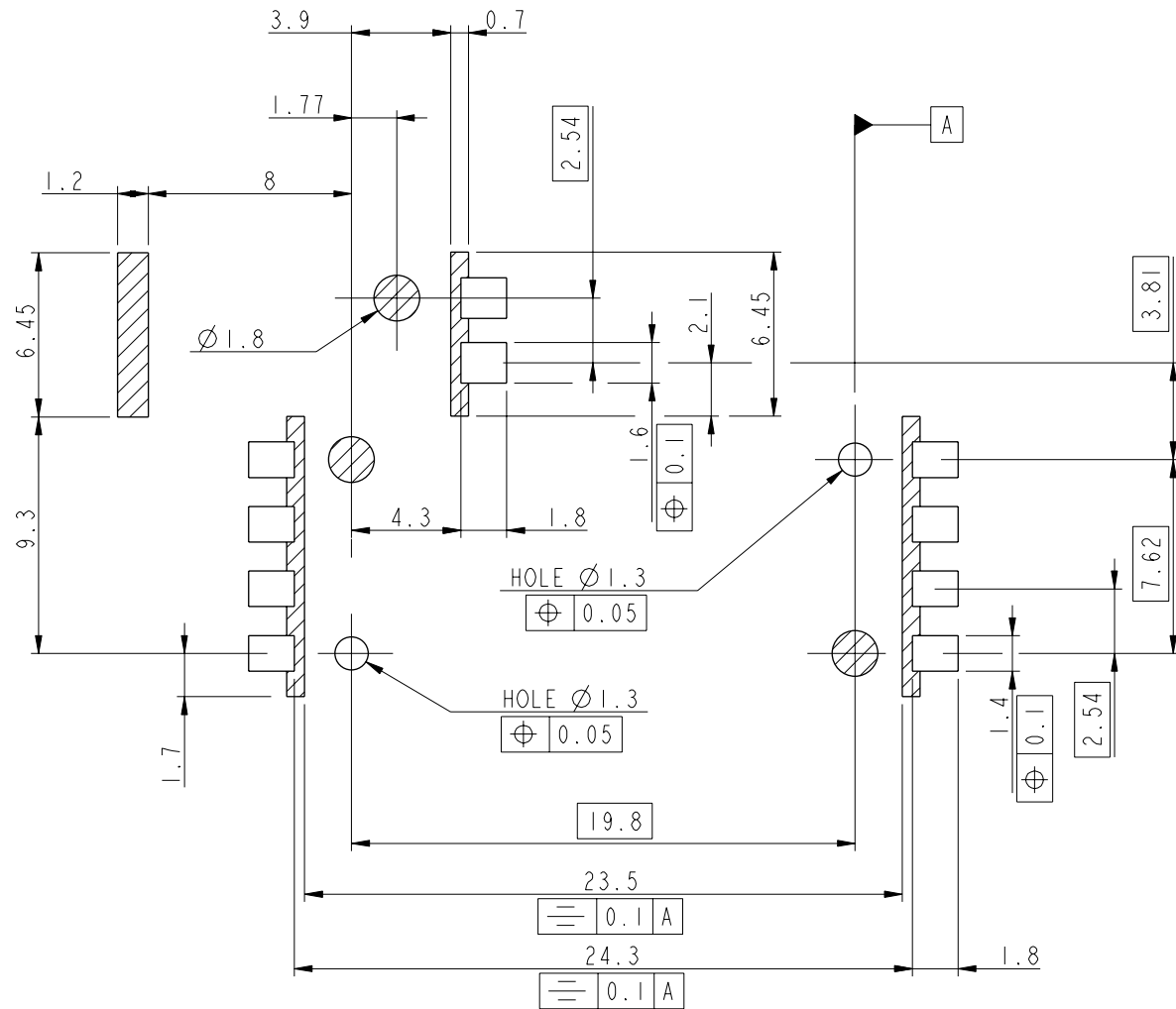
PCB RECOMMENDED LAYOUT

IN ALL CASE, WE GUARANTEE THE FUNCTIONALITY OF THE SWITCH WITH A MAXIMUM DISTANCE BETWEEN THE CARD READER AND THE CARD OF 0.3mm.

NOTE RoHS INFORMATIONS

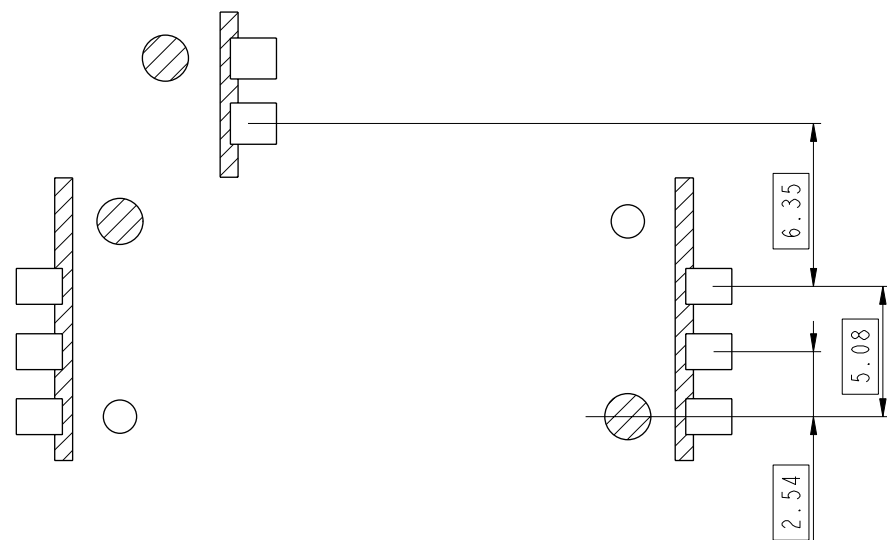
- The "LF" products meet European Union Directives and other country regulations as described in GS-22-008
- The housing will withstand exposure to 260°C peak temperature for 30 seconds in a convection, infra-red or vapor reflow oven. See application notes/procedures if they are available.
- Packaging spec: see GS-14-920

CONFIGURATION 8 CONTACTS
(CONNECTOR SIDE)

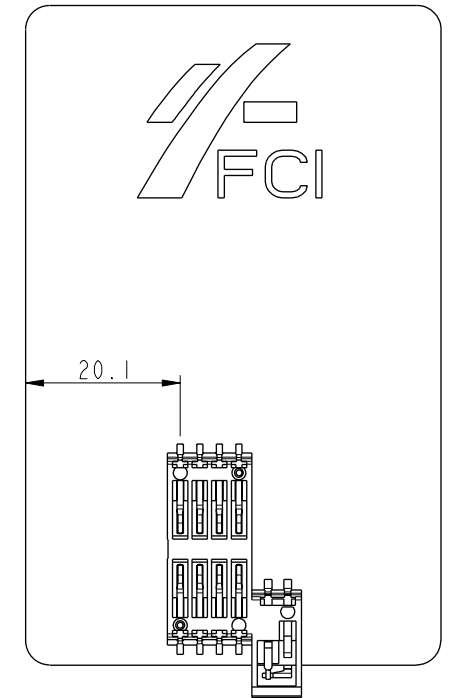
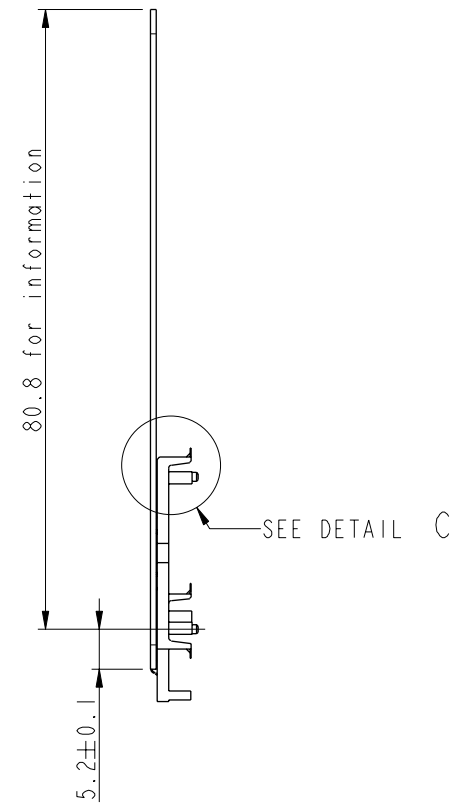


XHATCH ZONES
AREA WITHOUT COMPONENT

CONFIGURATION 6 CONTACTS
(CONNECTORS SIDE)



CARD
INSERTION



DETAIL C
SCALE 7:1

www.fciconnect.com			surface - ✓ ISO 1302	tolerance std ISO 406 ISO 1101	projection mm
			TOLERANCES UNLESS OTHERWISE SPECIFIED		
Dr	D. LEGRAND	02/04/29	ANGULAR	0.X ±0.3	size A2
Eng	F. TISSERAND	02/04/29	LINEAR	0.XX ±0.1	Scale 5:1
Chr	--	--	0° ±2°	0.XXX ±0.05	ECN 109-0019
Appr	--	--	Product family		Spec ref
FCJ			Title VJW 54511 CMS		Rev. G
			S07 BRIDGE		
			catalog no SEE NOTE		dwg no VJW54511
			CUSTOMER		sheet 2 of 2