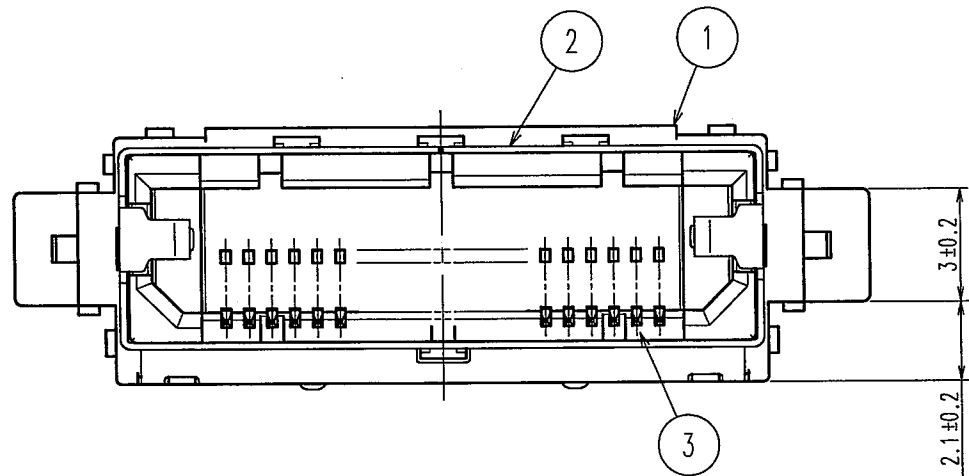
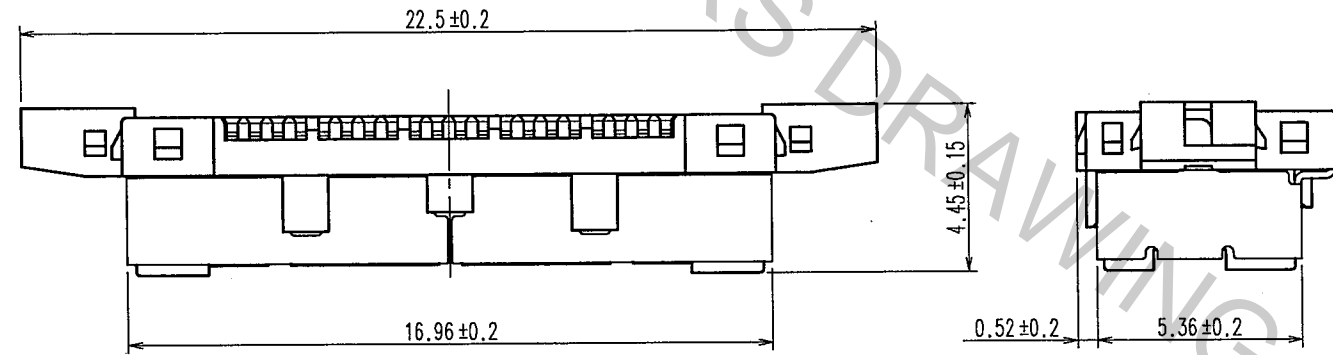
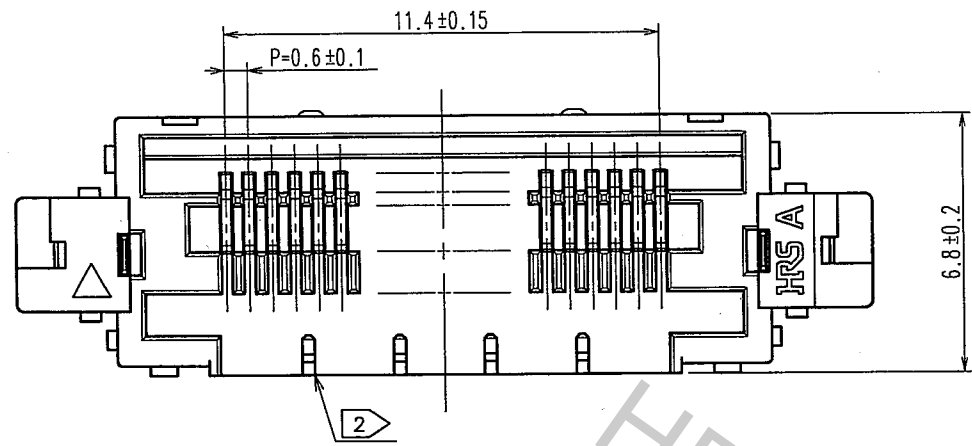
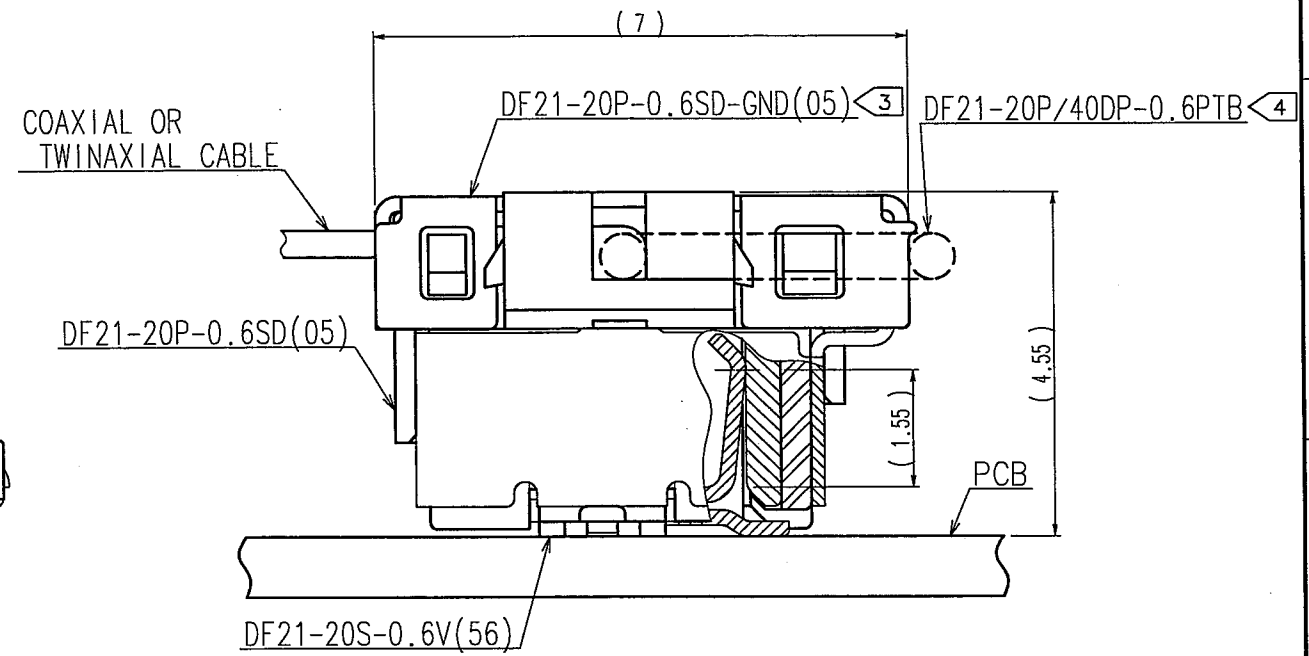


Apr.1.2017 Copyright 2017 HIROSE ELECTRIC CO., LTD. All Rights Reserved.

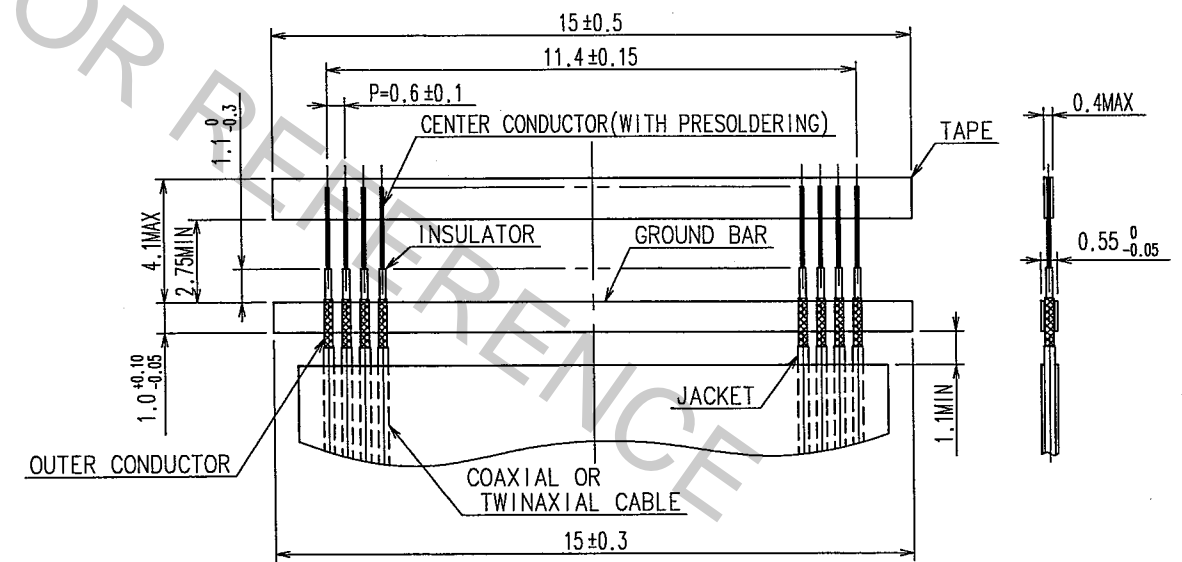


COUNT	DESCRIPTION OF REVISIONS	BY	CHKD	DATE	COUNT	DESCRIPTION OF REVISIONS	BY	CHKD	DATE
△					△				
△					△				
△					△				

APPLICATION DIAGRAM(10:1)



CABLE PREPARATION (4:1)



- NOTES 1: MINIMUM ORDERING QUANTITY IS ONE PACKAGE.(CONTAINING 100 PCS)
 ②: TWINAXIAL CABLE CAN NOT BE USED BETWEEN 4 TO 5 POS, 8 TO 9 POS, 12 TO 13 POS, 16 TO 17 POS, WHERE IT HAS BOSS.
 ③: METAL SHELL(DF21-20P-0.6SD-GND) SOLD SEPARATELY. INSTALL THE SHELL AFTER CABLE ASSEMBLY.
 ④: PULL-TAB(DF21-20P/40DP-0.6PTB) OPTIONAL. SOLD SEPARATELY.

2	PHOSPHOR BRONZE	Surface: Tin Plated 1μ m min. Under plating: Nickel Plated 0.5μ m min.	3	PHOSPHOR BRONZE	Contact Area: Gold Plated 0.1μ m min. Lead Area: Gold Plated 0.02μ m min.
1	LCP	UL94V-0, BLACK			Under Plating: Nickel Plated 0.5μ m min.
NO.	MATERIAL	FINISH, REMARKS	NO.	MATERIAL	FINISH, REMARKS
CODE NO. (OLD) CL			DRAWN	DESIGNED	CHECKED
			S. Ono	S. Ono	H. Umehara
			06.02.03	06.02.03	06.02.04
					T. Ono
					06.02.06
DRAWING NO. EDC3-163698-01			PART NO. DF21-20P-0.6SD(05)		
SCALE 5 : 1			CODE NO. CL687-1500-0-05		
UNITS mm			1/1		
HRS HIROSE ELECTRIC CO., LTD					

TO