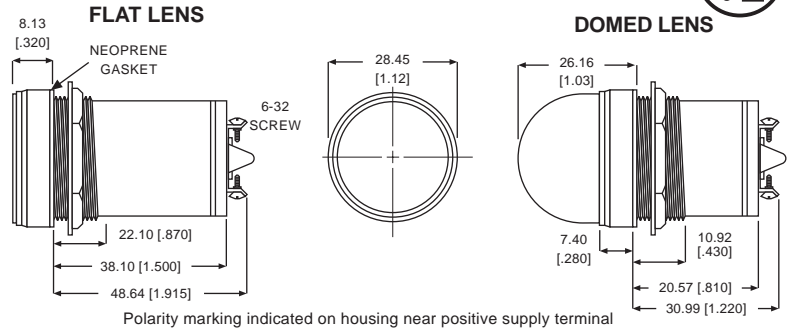


# 556 SERIES FOR 1" MOUNTING HOLE • WATERTIGHT



## FLAT LENS

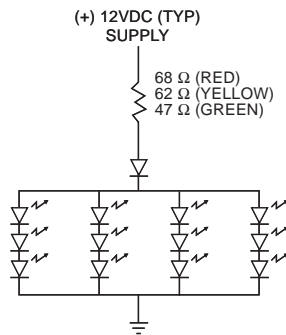
PART NO.	COLOR	V <sub>F</sub>	mA	fL*
556-1103-304	R	12DC	81	1500
556-1203-304	G	12DC	81	760
556-1303-304	Y	12DC	81	1800
556-1104-304	R	24DC	40	1500
556-1204-304	G	24DC	40	760
556-1304-304	Y	24DC	40	1800
556-1105-304	R	125AC	8.5	900
556-1205-304	G	125AC	8.5	300
556-1305-304	Y	125AC	8.5	1000



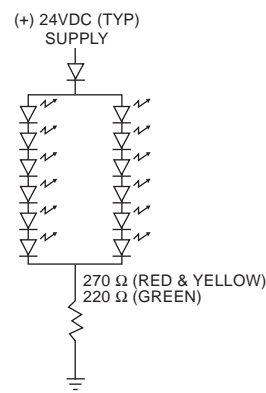
## DOMED LENS

PART NO.	COLOR	V <sub>F</sub>	mA	fL*
556-3103-304	R	12DC	81	100
556-3203-304	G	12DC	81	55
556-3303-304	Y	12DC	81	75
556-3104-304	R	24DC	40	100
556-3204-304	G	24DC	40	55
556-3304-304	Y	24DC	40	75
556-3105-304	R	125AC	8.5	50
556-3205-304	G	125AC	8.5	30
556-3305-304	Y	125AC	8.5	40
556-3107-304	R	125DC	10	50
556-3207-304	G	125DC	10	30
556-3307-304	Y	125DC	10	40

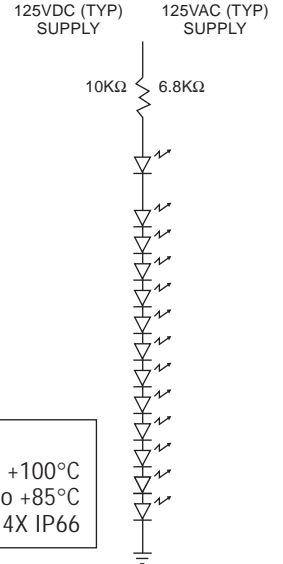
**SCHEMATIC A (12V)**



**SCHEMATIC B (24V)**



**SCHEMATIC C (125V)**



Housing Material: Nickel Plated Brass

\* Intensity measured in foot Lamberts (1fL = 3.4 cd/m<sup>2</sup>)

\*\* Requires external resistor

† Bi color has 3 leads: Red for Red Anode, Green for Green Anode, Black for Common Cathode

Dimensions in mm [inches]

**ENVIRONMENTAL LIMITS:**

Storage Temp: -30°C to +100°C  
 Operating Temp: -25°C to +85°C  
 Seal Specifications: NEMA 4X IP66

