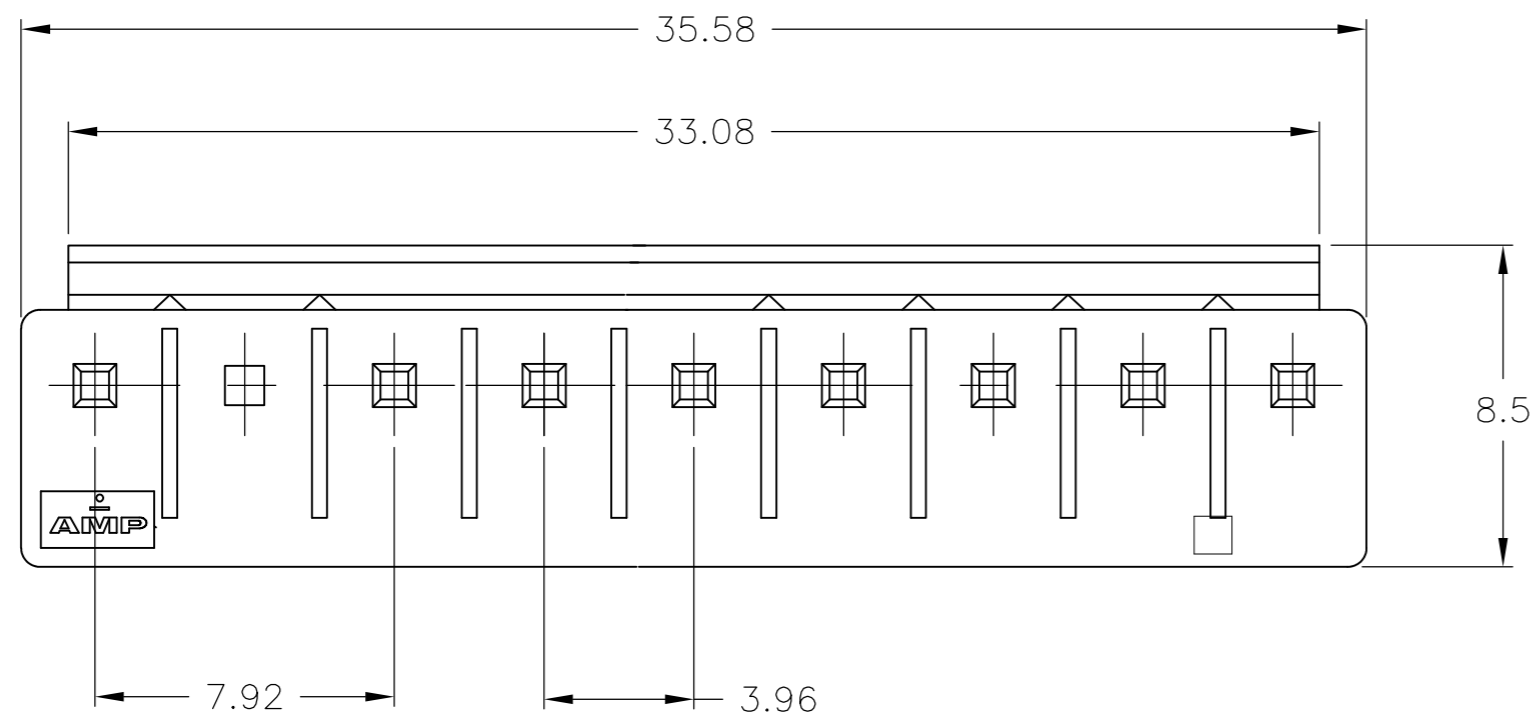
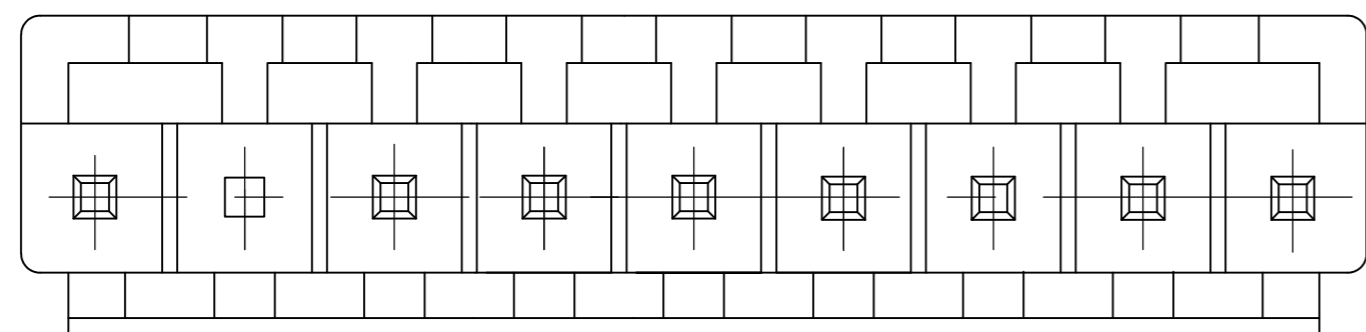
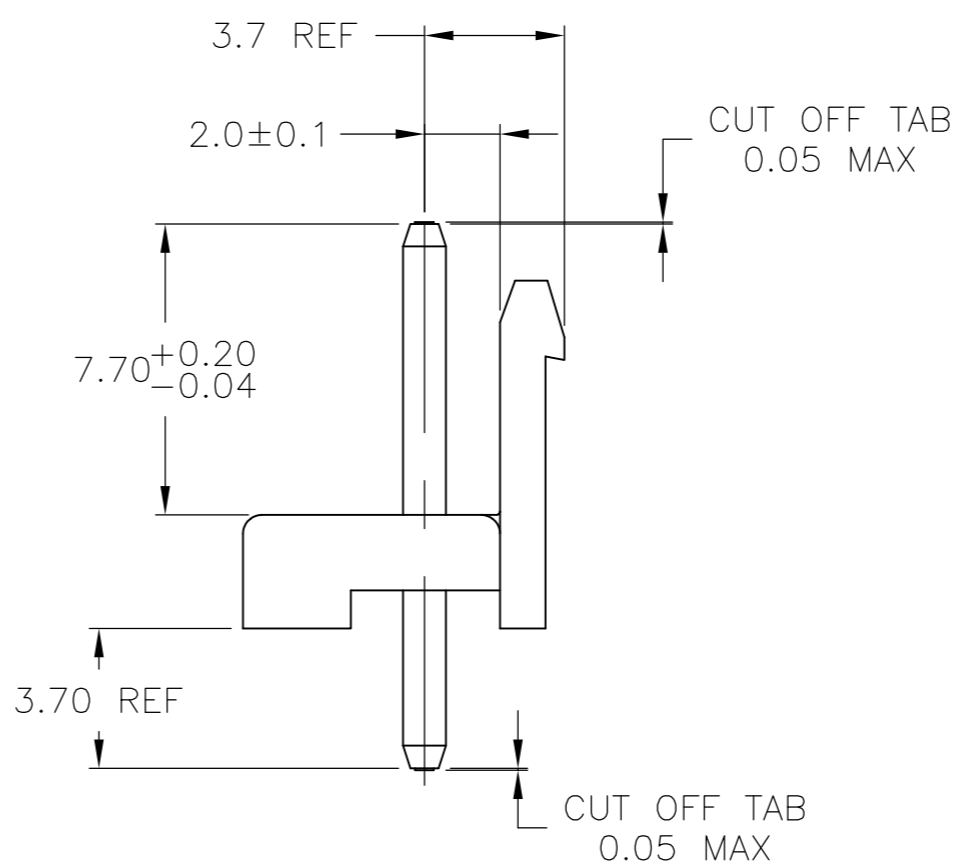
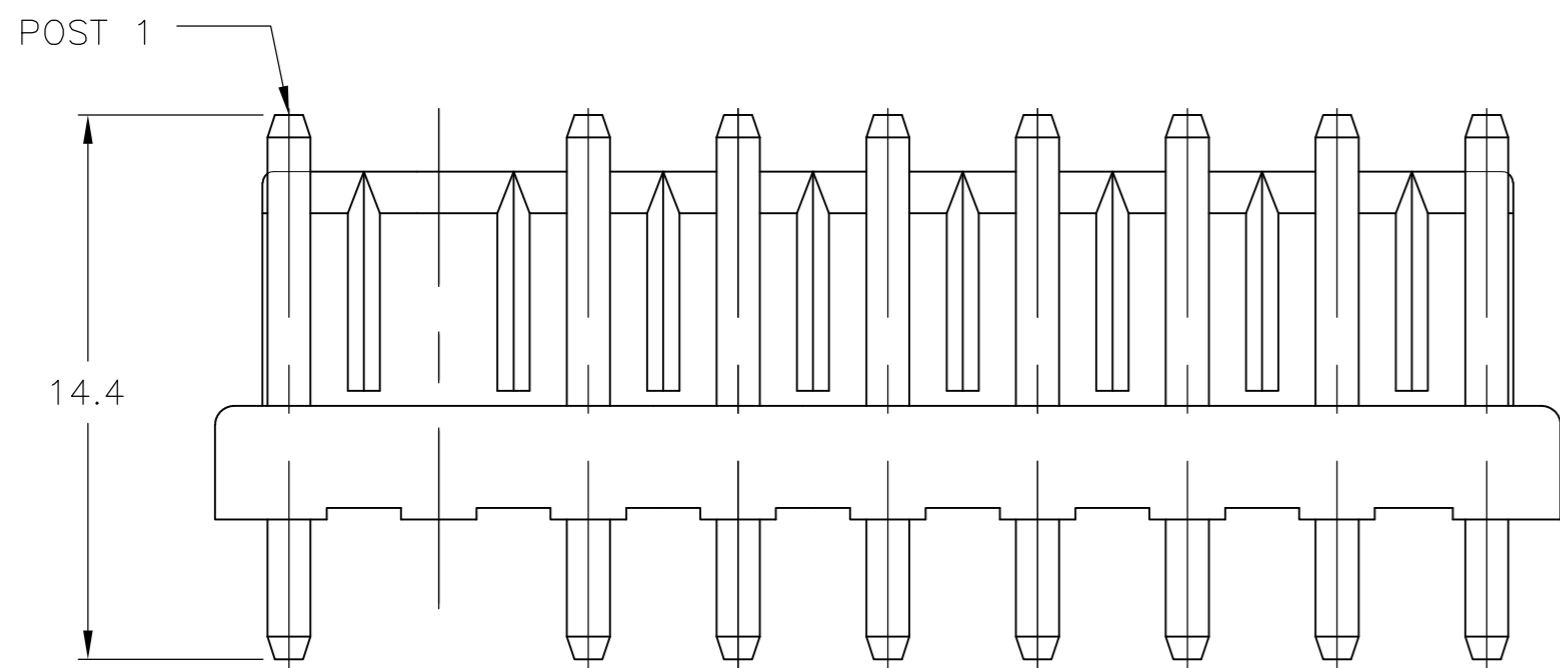


THIS DRAWING IS UNPUBLISHED. RELEASED FOR PUBLICATION
 © COPYRIGHT - By - ALL RIGHTS RESERVED.

LOC	DIST	REVISIONS			
P	LTR	DESCRIPTION	DATE	DWN	APVD
GP	00	C1	REVISED PER ECO-11-015751	02AUG11	HMR SM

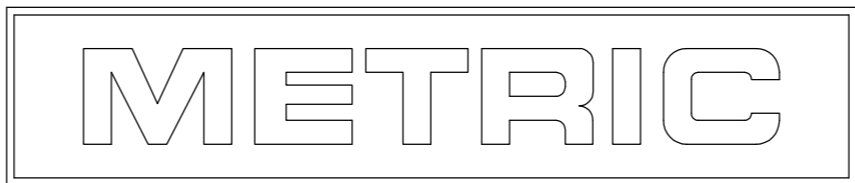


1. MATERIAL: HOUSING- PBT,
 POST- BRASS, 0.001[.000039] MIN TIN OVER
 0.0008[.000031] MIN NICKEL.



OBSOLETE	BLUE	8	9	1744109-4
	NATURAL	8	9	1744109-3
	NATURAL	2,6	9	1744109-2
	NATURAL	2	9	1744109-1
	HOUSING COLOR	OMITTED POST NUMBER	NO. OF POSITIONS	ASSEMBLY PART NO.

1744109-1 SHOWN



THIS DRAWING IS A CONTROLLED DOCUMENT.

DIMENSIONS: mm	TOLERANCES UNLESS OTHERWISE SPECIFIED:	DWN: K. WHITAKER 07JUN04	TE Connectivity
		CHK: D. BOSSI 07JUN04	
		APVD: D. BOSSI 07JUN04	NAME: HEADER ASSEMBLY, SPECIAL, OMITTED POST, 9 POSITION, ECONOMY POWER (EP)
		PRODUCT SPEC: -	
		APPLICATION SPEC: -	SIZE: A2
MATERIAL: -	FINISH: -	WEIGHT: -	CAGE CODE: 00779
		CUSTOMER DRAWING	DRAWING NO: 1744109
			RESTRICTED TO: -
			SCALE: 5:1
			SHEET: 1 of 1
			REV: C1