

DETAILS

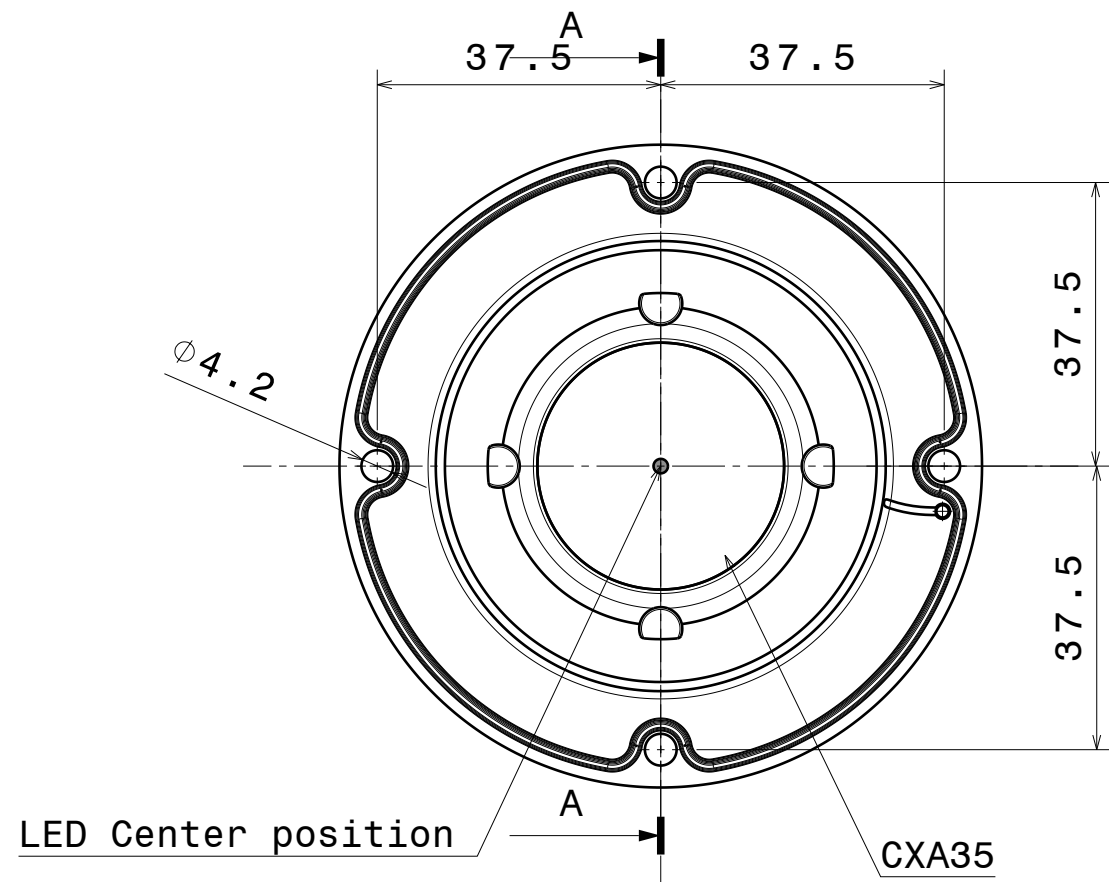
| | |
|------------------------|-------------------|
| Product Number | FN15186_STELLA-HB |
| Family | STELLA |
| Type | Pack |
| Color | white |
| Diameter | 90 mm |
| Height | 19,5 mm |
| Style | round |
| Optic Material | Silicone |
| Holder Material | |
| Fastening | |
| Status | production ready |
| ROHS Compliant | Yes |
| Date Updated | 6/09/2016 |



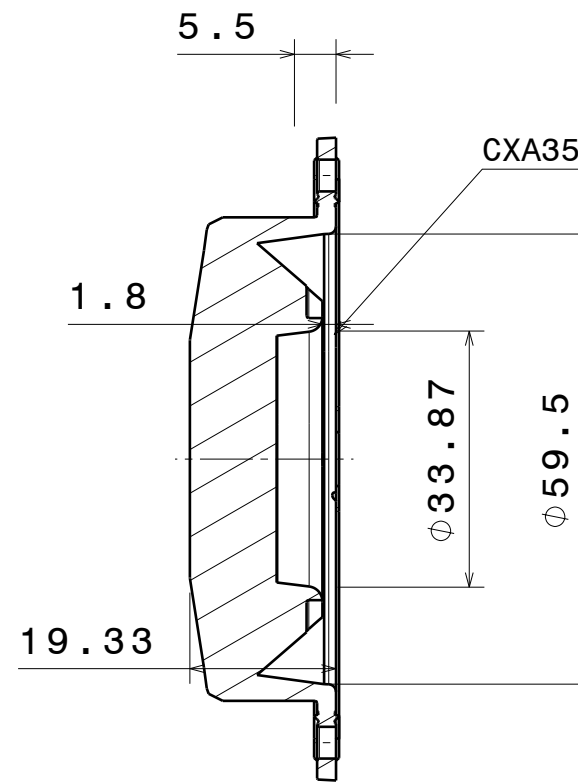
OPTICAL PROPERTIES

| LED | Viewing Angle | Light Beam | Efficiency | cd/lm | Connector |
|-----------------|---------------|------------|------------|------------|--------------------------|
| VERO18 | 75 deg | HighBay | 93 % | 0.700 | - |
| VERO29 | 69 deg | HighBay | 94 % | 0.708 | - |
| V18 Gen7 | 79 deg | HighBay | 93 % | 0.600 | - |
| CLL05x/CLU05x | 73 deg | HighBay | 93 % | 0.630 | - |
| CLL163 | 79 deg | HighBay | 94 % | 0.640 | - |
| CLL04x/CLU04x | 68 deg | HighBay | 93 % | 0.770 | Bender Wirth: 431 Typ L3 |
| CLL04x/CLU04x | 77 deg | HighBay | 94 % | 0.650 | - |
| CLL05x/CLU05x | 65 deg | HighBay | 94 % | 0.740 | - |
| CLL05x/CLU05x | sim: 66 | HighBay | sim: 92 % | sim: 0.760 | - |
| CXA/B 30xx | 78 deg | HighBay | 93 % | 0.630 | - |
| CXA/B 25xx | 83 deg | HighBay | 93 % | 0.566 | - |
| CXA/B 3590 | 72 deg | HighBay | 93 % | 0.682 | - |
| LTPL-M074 | 76 deg | HighBay | 93 % | 0.650 | - |
| LUXEON CoB 1216 | 72 deg | HighBay | 94 % | 0.720 | - |
| LUXEON CoB 1211 | 71 deg | HighBay | 93 % | 0.730 | - |
| CXM-18 | 80 deg | HighBay | 93 % | 0.600 | - |
| CXM-22 | 73 deg | HighBay | 93 % | 0.700 | - |
| CXM-22 | 68 deg | HighBay | 94 % | 0.770 | Bender Wirth: 431 Typ L3 |
| Soleriq S19 | 84 deg | HighBay | 92 % | 0.570 | - |
| MJT COB LES 33 | 68 deg | HighBay | 94 % | 0.700 | Bender Wirth: 458 Typ L4 |

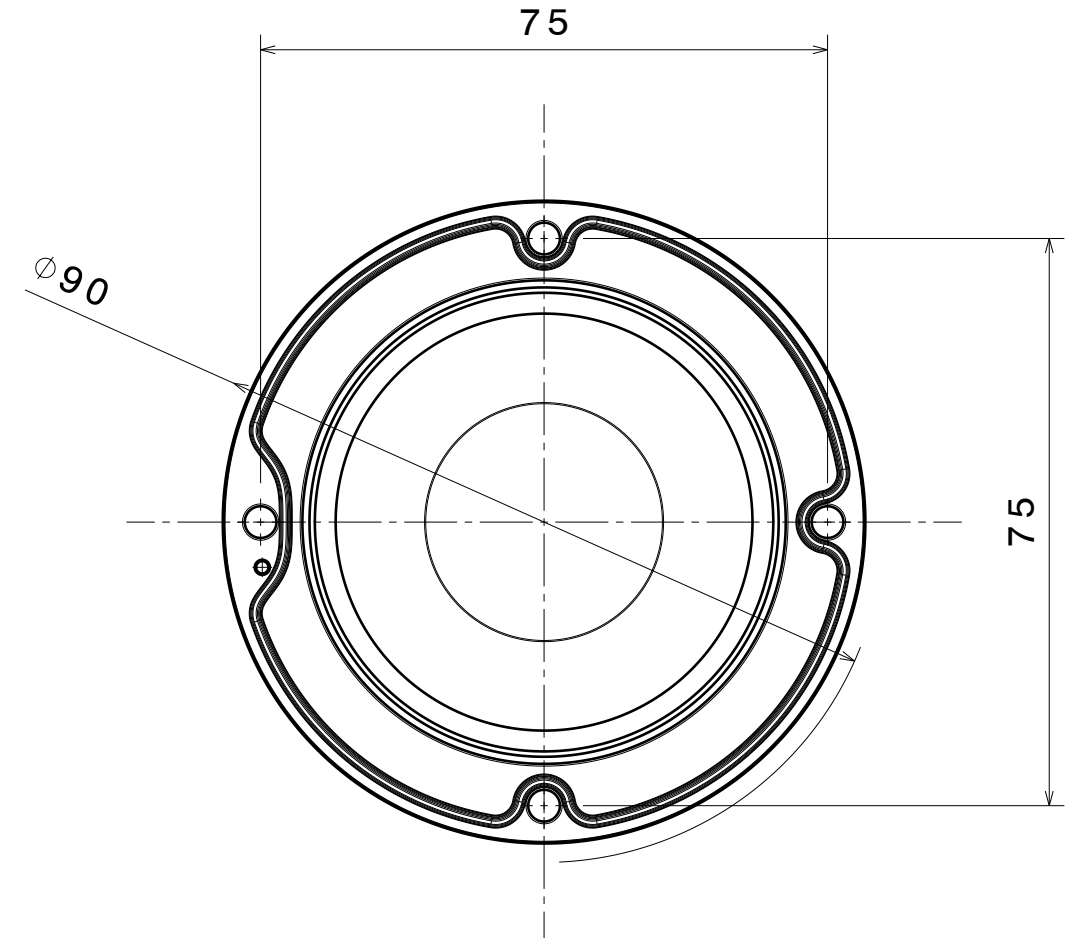
NOTE: Maximum recommended tightening torque for STELLA-FRAME-WHT is 0,4Nm



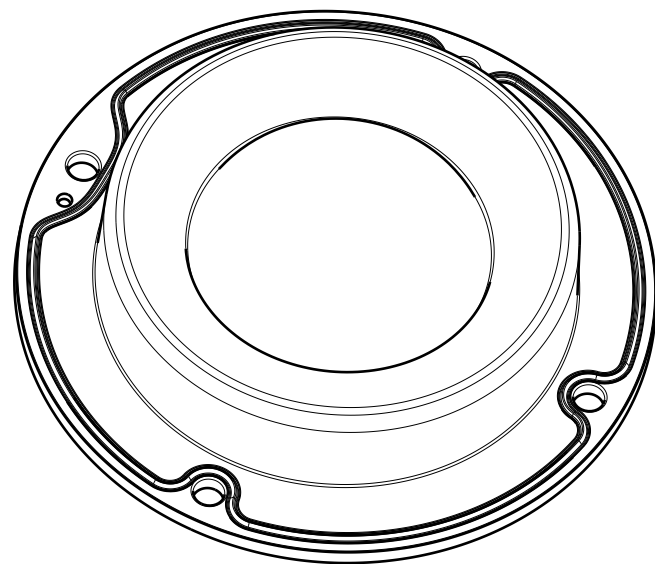
Bottom view



Section view A-A



Front view



Isometric view

| INDEX | PART NO | DESCRIPTION | MATERIAL | COLOUR |
|-------|---------|------------------|-------------------|--------|
| 1 | F14021 | STELLA-HB | Optical grade LSR | |
| | F14252 | STELLA-FRAME-WHT | PA66GF30 | white |

Tolerances if not otherwise shown
According to DIN ISO 2768-1
Linear measures: class V
Please note that due to the elasticity of products made of silicone actual measured values may vary, and therefore typical tolerance values may not be applied.



Ledil Oy
Salorankatu 10
FIN 24240 SALO
Finland

THIRD ANGLE PROJECTION:

DRAWING TITLE

FN15186_STELLA-HB

This drawing is the property of LEDiL Oy. It may not be reproduced, copied or communicated without a written agreement with LEDiL Oy."

SIZE PART NUMBER

A3

FN15186

SCALE

1:1

WEIGHT

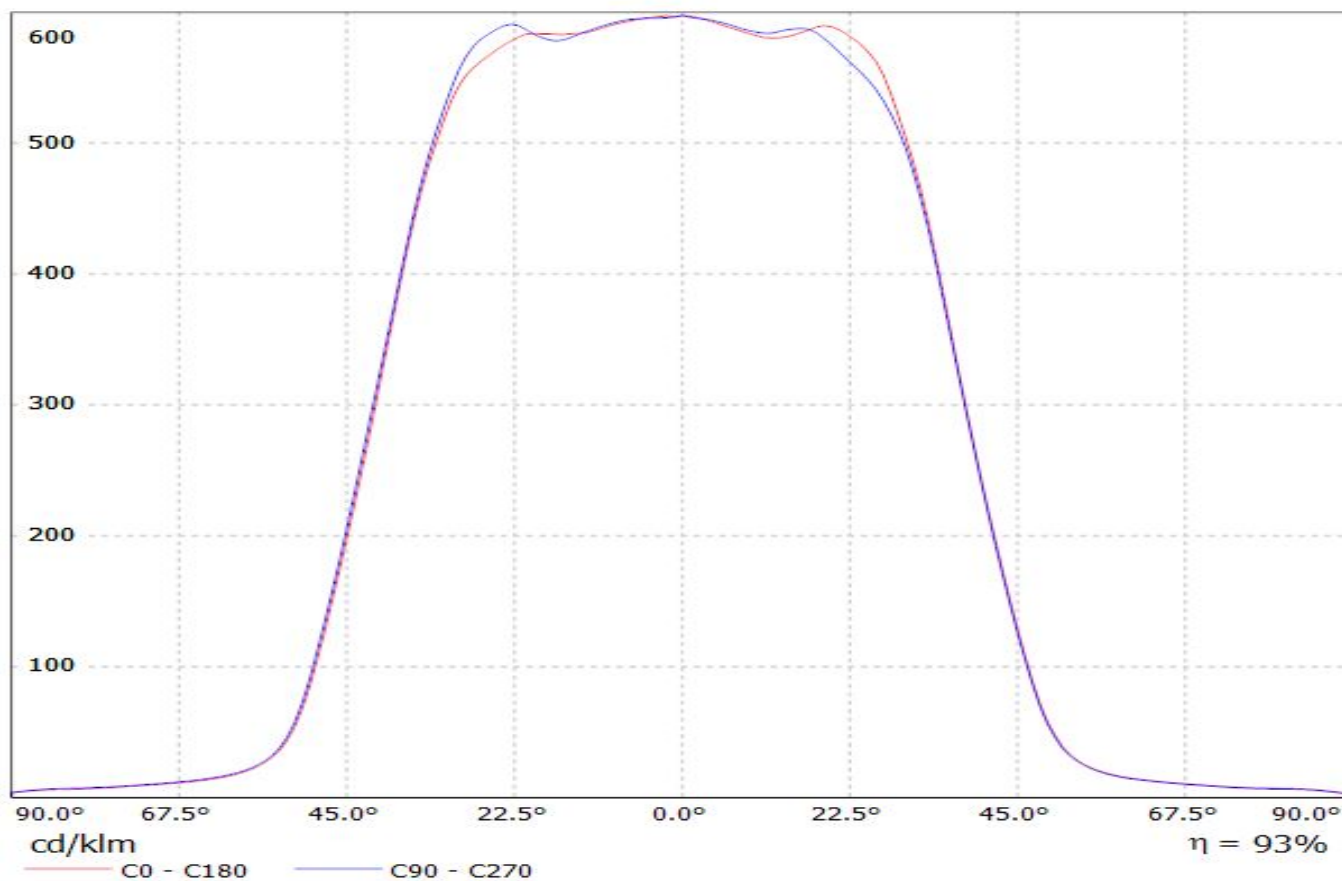
56,32 g

SHEET

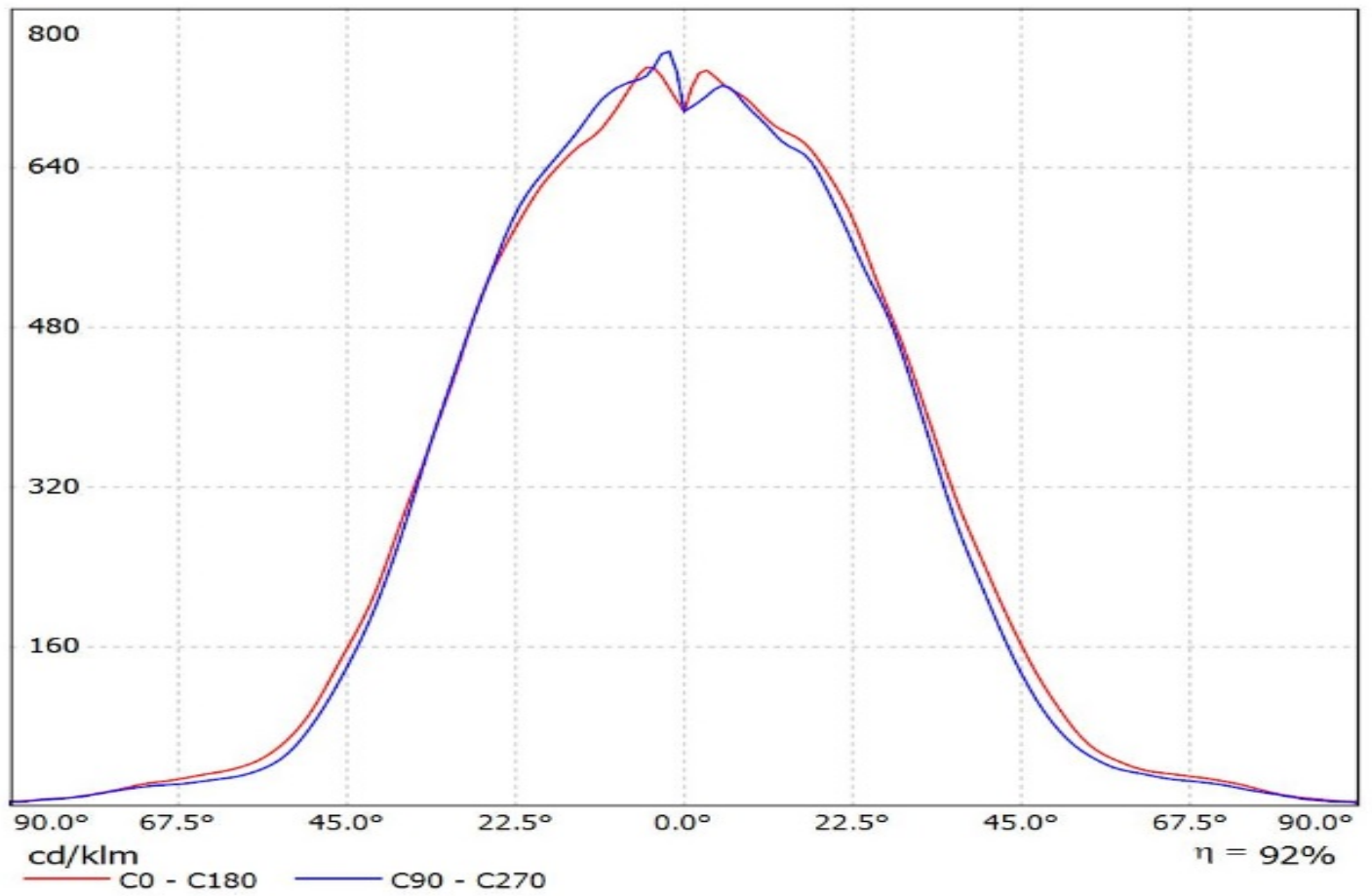
1/1

Luminaire: LEDiL Oy FN15186_STELLA-HB_(V18_Gen7)

Lamps: 1 x Bridgelux_V18_GEN7_(BXRE-30E4000-B)_1413.09lm@250mA_P=8.06229W_I=0.25A



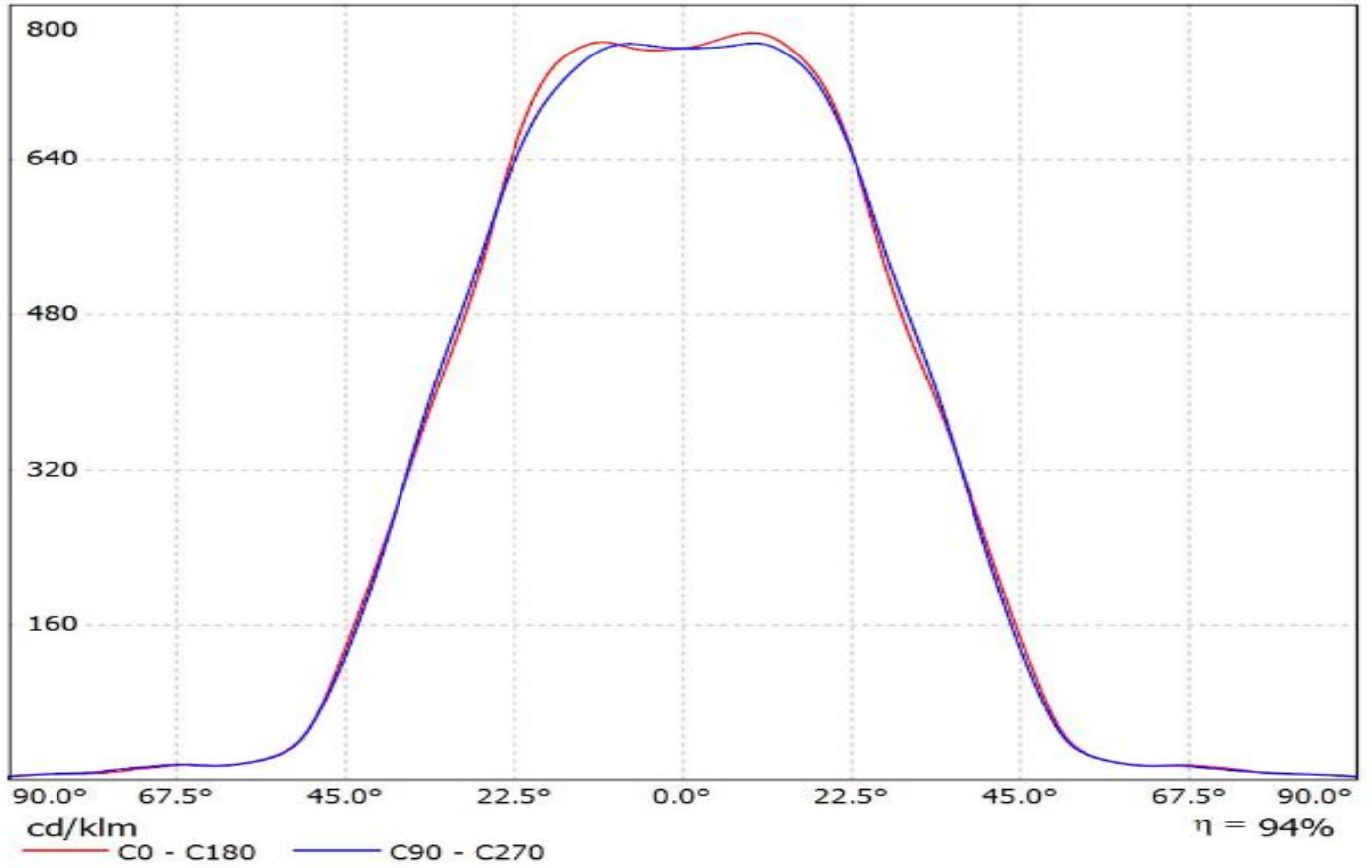
Luminaire: Ledil Oy FN15186_STELLA-HB_(CLU056)_SIMULATED
Lamps: 1 x Citizen CLU056 (CLU056-3618C1-303M2G2)



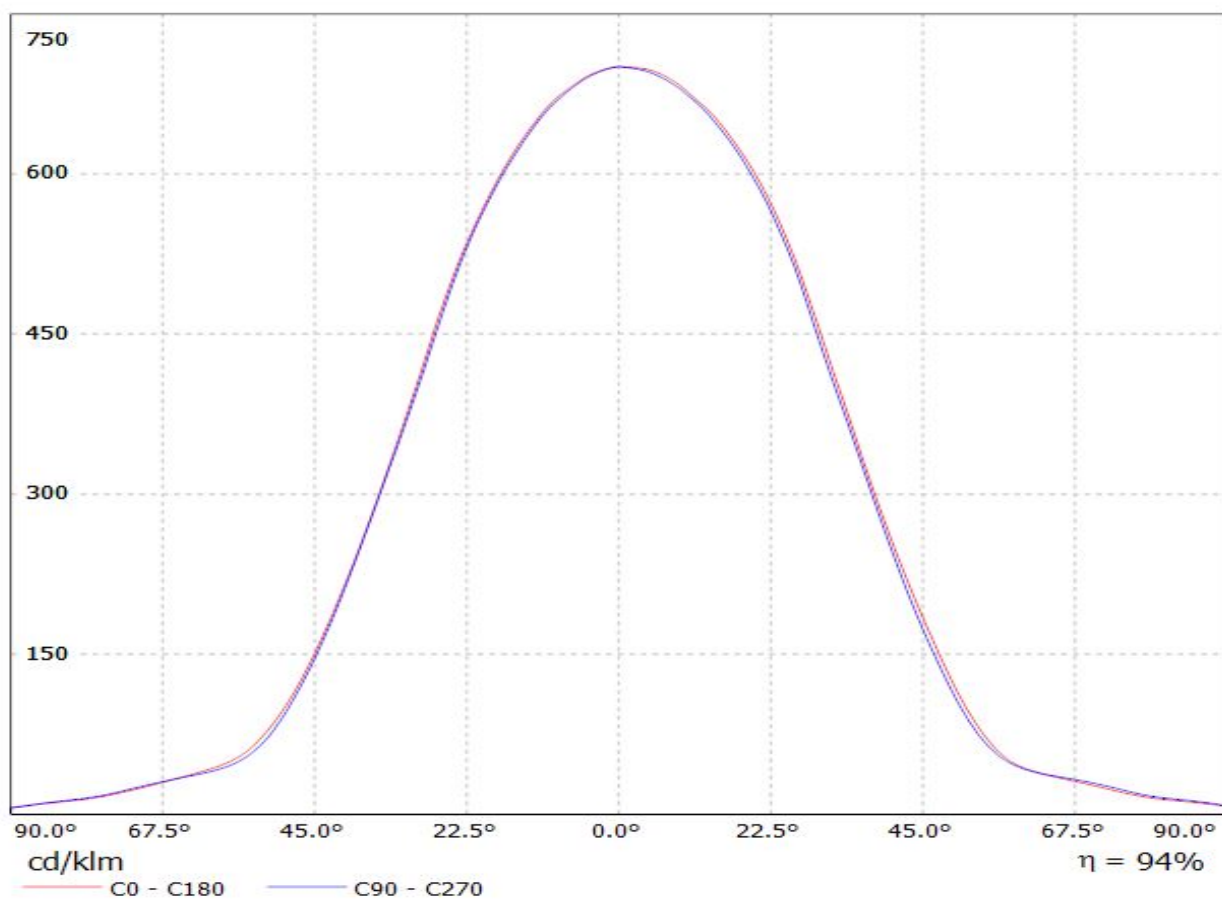
Luminaire: Ledil FN15186_STELLA-HB_(CXM-22_+BW)

Lamps: 1 x LUMINUS_CXM-

22_+Bender&Wirth_431TypL3_1259.61lm@250mA_P=8.0332W_CCT=3000K_I=0.25A

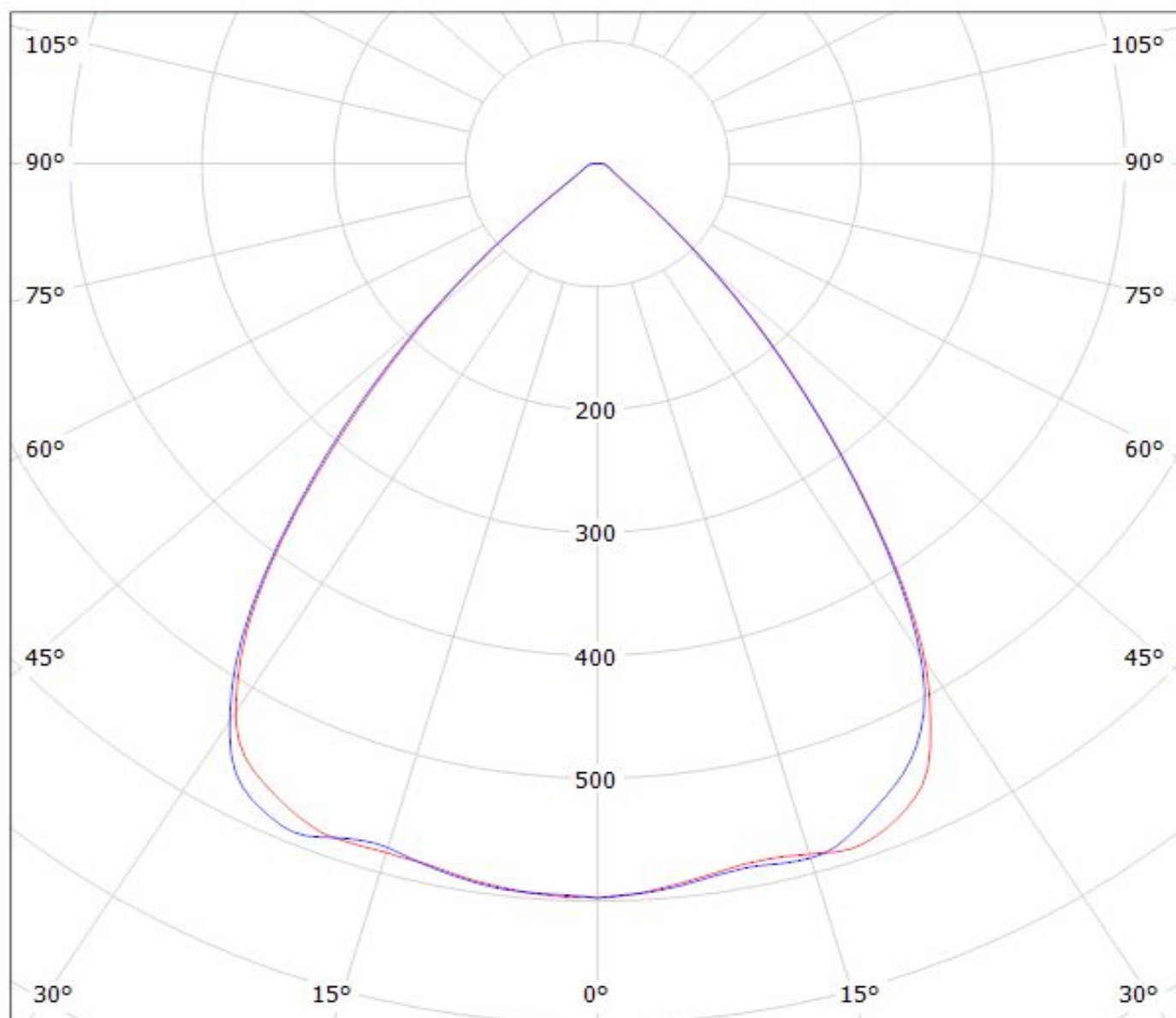


Luminaire: Ledil FN15186_STELLA-HB_(MJT_180W_Les32,8)_+458TypL4
Lamps: 1 x Seoul_MJT_180W_Les32,8mm_(SAWx33GCA)_+458TypL4_3749.72lm@250mA_P=20.9727W_I=0.25A



Luminaire: LEDiL Oy FN15186_STELLA-HB_(V18_Gen7)

Lamps: 1 x Bridgelux_V18_GEN7_(BXRE-30E4000-B)_1413.09lm@250mA_P=8.06229W_I=0.25A



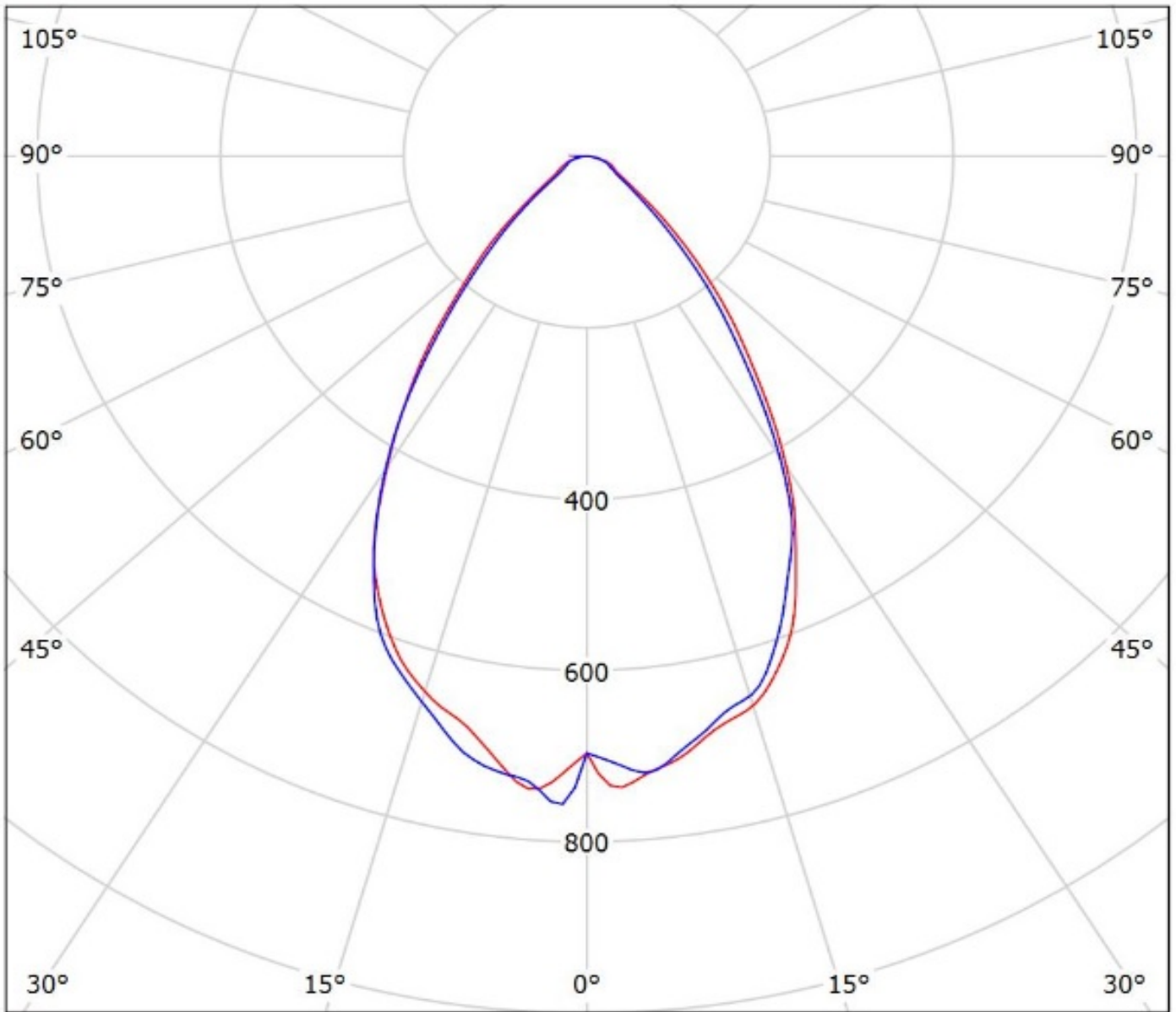
cd/klm

— C0 - C180

— C90 - C270

$\eta = 93\%$

Luminaire: Ledil Oy FN15186_STELLA-HB_(CLU056)_SIMULATED
Lamps: 1 x Citizen CLU056 (CLU056-3618C1-303M2G2)



cd/klm

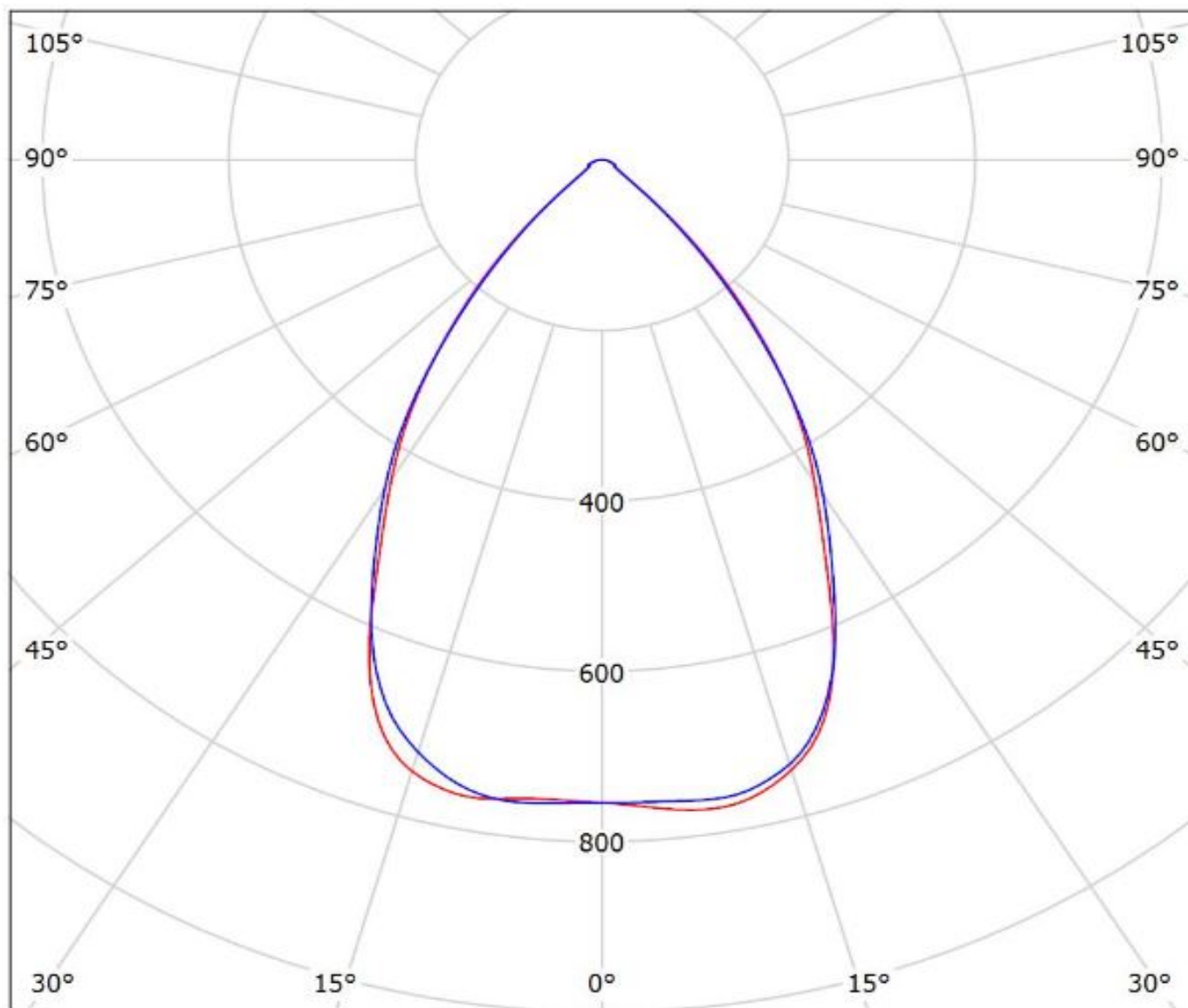
— C0 - C180 — C90 - C270

$\eta = 92\%$

Luminaire: Ledil FN15186_STELLA-HB_(CXM-22_+BW)

Lamps: 1 x LUMINUS_CXM-

22_+Bender&Wirth_431TypL3_1259.61lm@250mA_P=8.0332W_CCT=3000K_I=0.25A

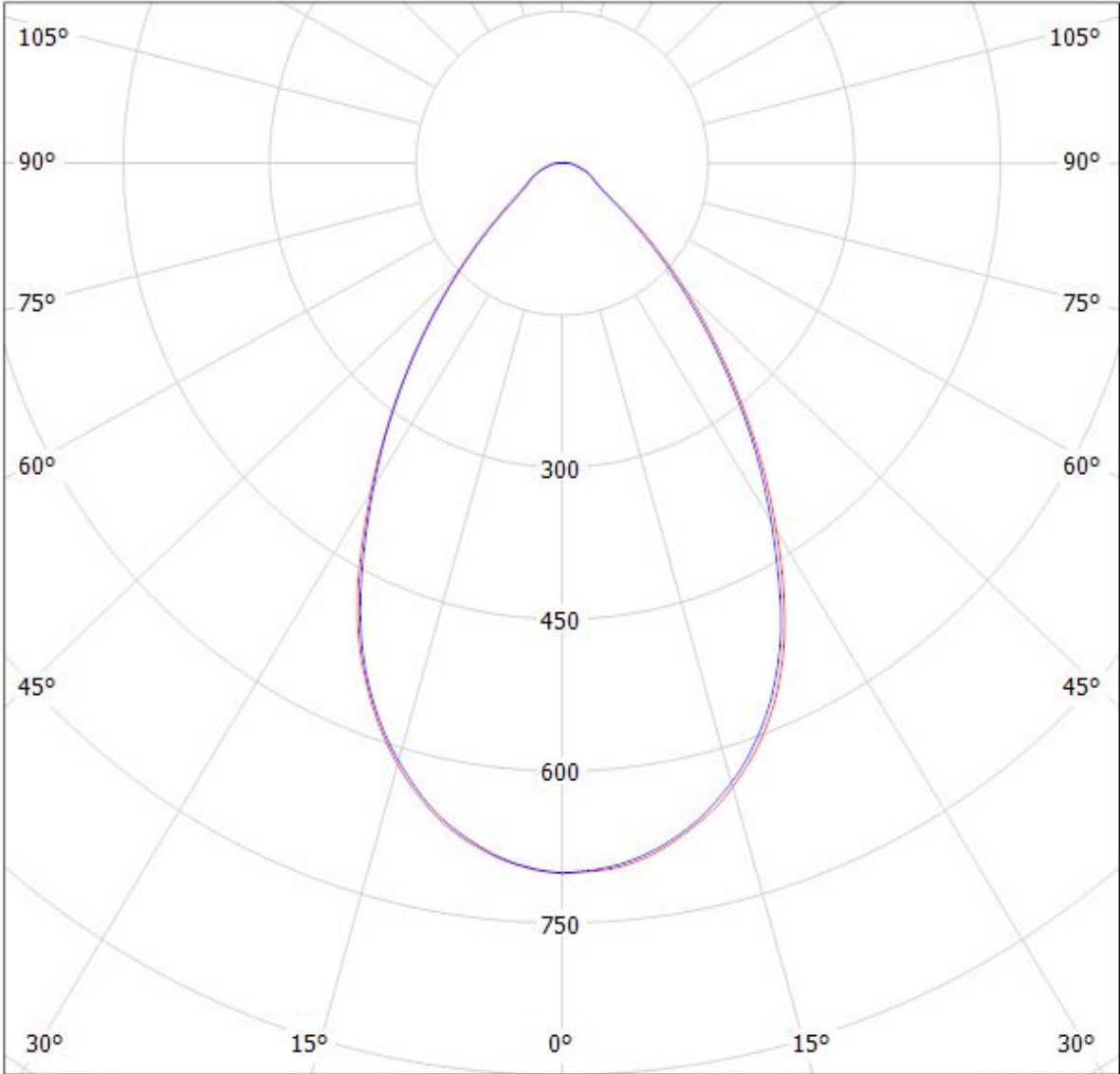


cd/klm

— C0 - C180 — C90 - C270

$\eta = 94\%$

Luminaire: Ledil FN15186_STELLA-HB_(MJT_180W_Les32,8)_+458TypL4
Lamps: 1 x Seoul_MJT_180W_Les32,8mm_(SAWx33GCA)_+458TypL4_3749.72lm@250mA_P=20.9727W_I=0.25A



cd/klm

— C0 - C180 — C90 - C270

$\eta = 94\%$

NOTE: The typical divergence will be changed by different color, chip size and chip position tolerance. The typical total divergence is the full angle measured where the luminous intensity is half of the peak value.

GENERAL INFORMATION

- Product series especially designed & optimized for series of LEDs.
- Special care taken to make light distribution as uniform as possible.

Note! Due to use of high power COB's with this product, special attention to proper thermal design is highly recommended. LEDiL has no liability for direct, indirect or consecutive damages arising from the LEDiL products being used outside of the recommended temperature range.