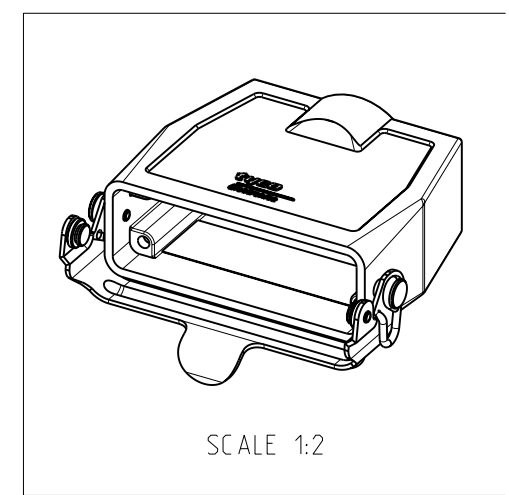
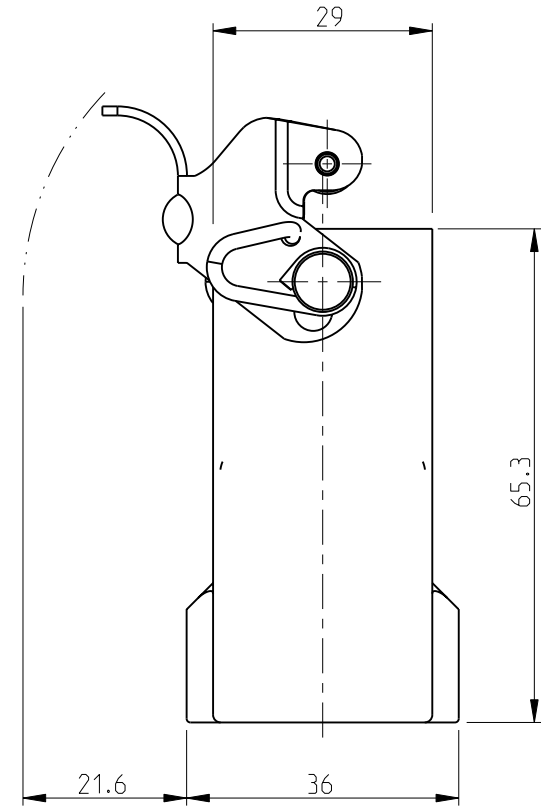
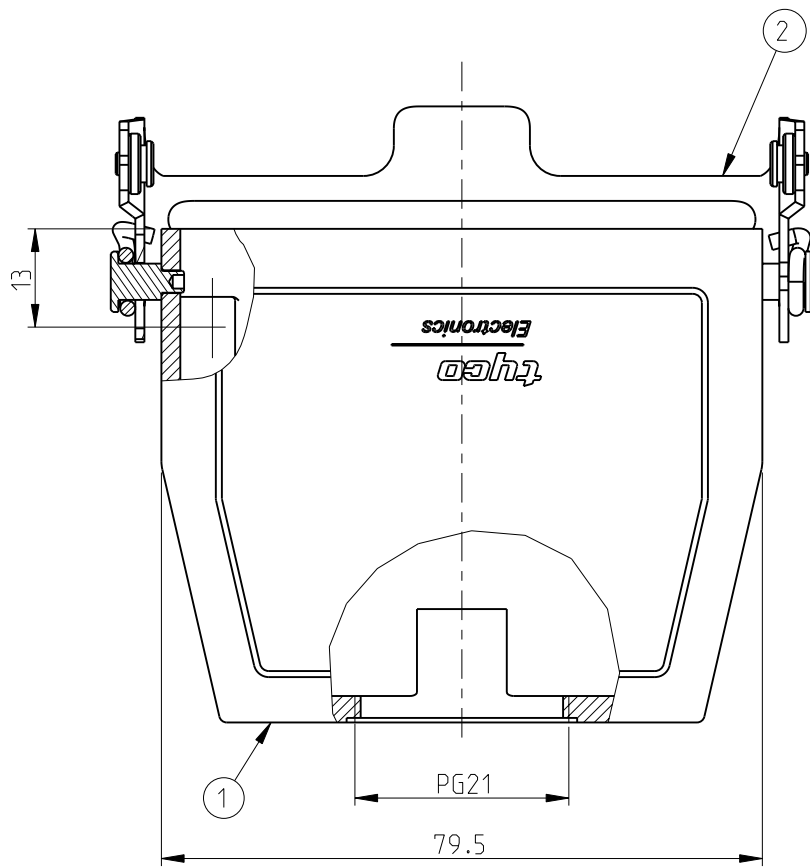


THIS DRAWING IS UNPUBLISHED. RELEASED FOR PUBLICATION 2000
 © COPYRIGHT 2000 BY TYCO ELECTRONICS CORPORATION. ALL RIGHTS RESERVED.

LOC	DIST	REVISIONS					
		P	LTR	DESCRIPTION	DATE	DWN	APVD
A1	-	B2		RELEASED AS PER ECR-09-005653	11.MAR.2009	GG	TS

- NOTES:
- ① MATERIAL: SEE TABLE
 - ② SURFACE: SEE TABLE
 - 3 VARNISH ON THE INSIDE NOT NECESSARY
 - 4 PACKAGING QUANTITY: 5 PIECES PER BOX



PN 1-2 AS SHOWN

1-2	DESCRIPTION	MATERIAL	SURFACE	COLOR	ITEM NO	REMARKS
1	CLIP	STEEL	ZINC PLATED	BLUE	2	
1	CABLE TO CABLE HOOD	ALUMINIUM		GREY RAL 7001	1	

ORDERING TEXT
 HD.25.KDO-LB.1.21.G

<small>THIS DRAWING IS A CONTROLLED DOCUMENT FOR TYCO ELECTRONICS CORPORATION IT IS SUBJECT TO CHANGE AND THE CONTROLLING ENGINEERING ORGANIZATION SHOULD BE CONTACTED FOR THE LATEST REVISION.</small>		DWN S.KUMAR 4/27/2006 CHK P.BENNUR 4/27/2006 APVD T.SCHNURPFEL 4/27/2006		Tyco Electronics Tyco Electronics.AMP.GmbH 53757.SanktAugustin.Germany	
DIMENSIONS: mm		TOLERANCES UNLESS OTHERWISE SPECIFIED: n.ISO 8013 n.ISO 2768-MH-E n.DIN 16901-120		NAME CABLE TO CABLE HOOD HD.25.KDO-LB.1.21.G	
		0 PLC ± 1 PLC ± 2 PLC ± 3 PLC ± 4 PLC ± ANGLES ±		PRODUCT SPEC - APPLICATION SPEC - WEIGHT -	
MATERIAL ①		FINISH ②		SIZE A3	CAGE CODE 00779
CUSTOMER DRAWING				DRAWING NO C-1102561	RESTRICTED TO -
				SCALE 1:1	SHEET 1 OF 1
				REV B2	