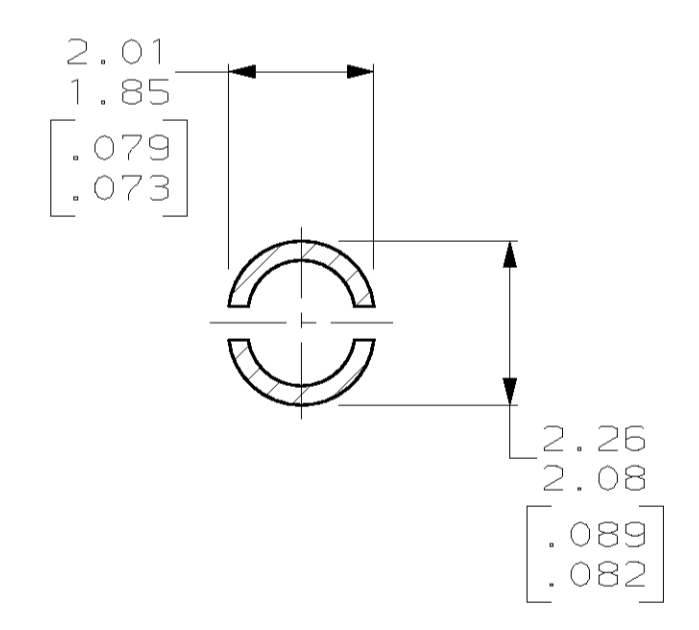
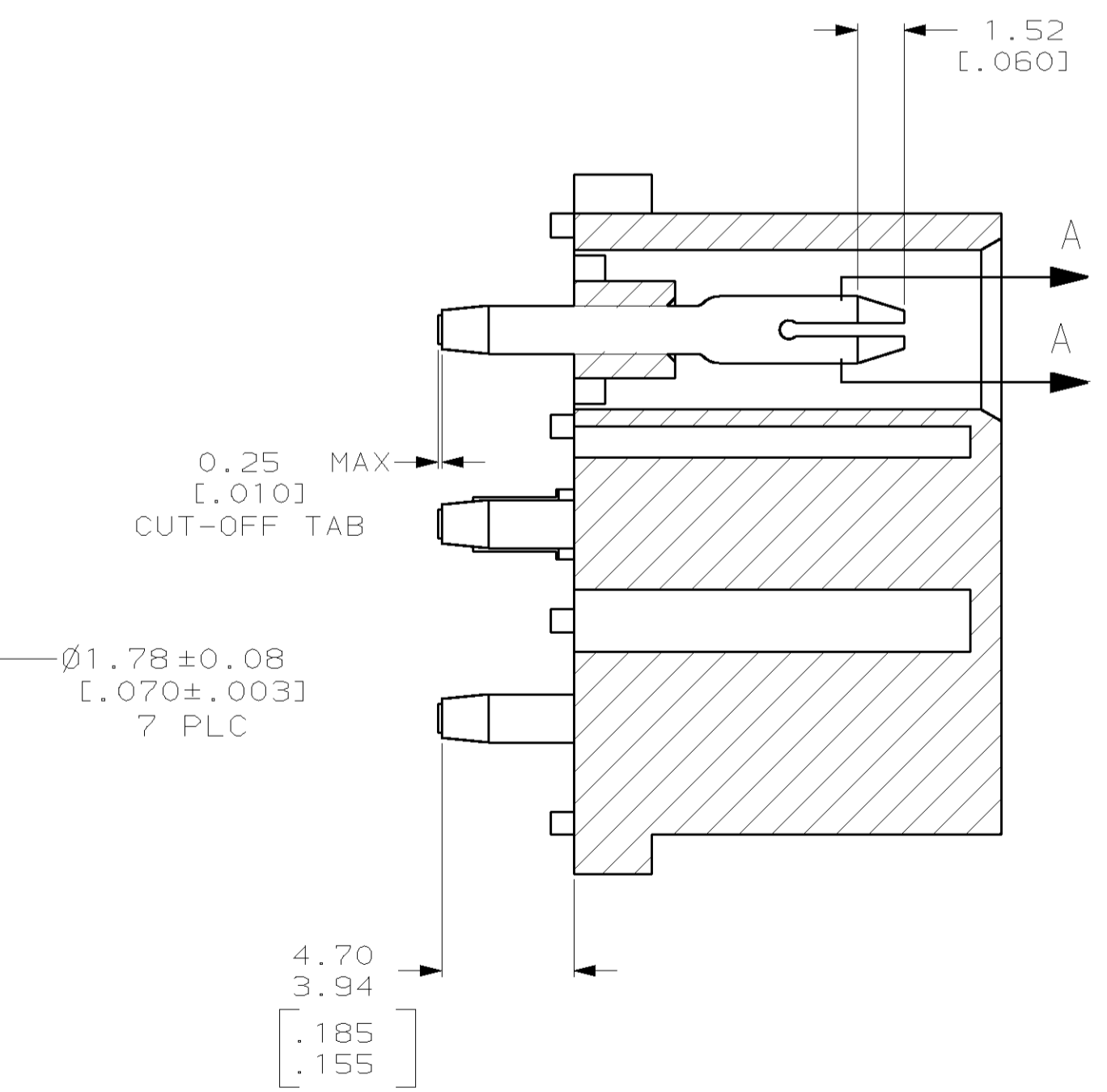
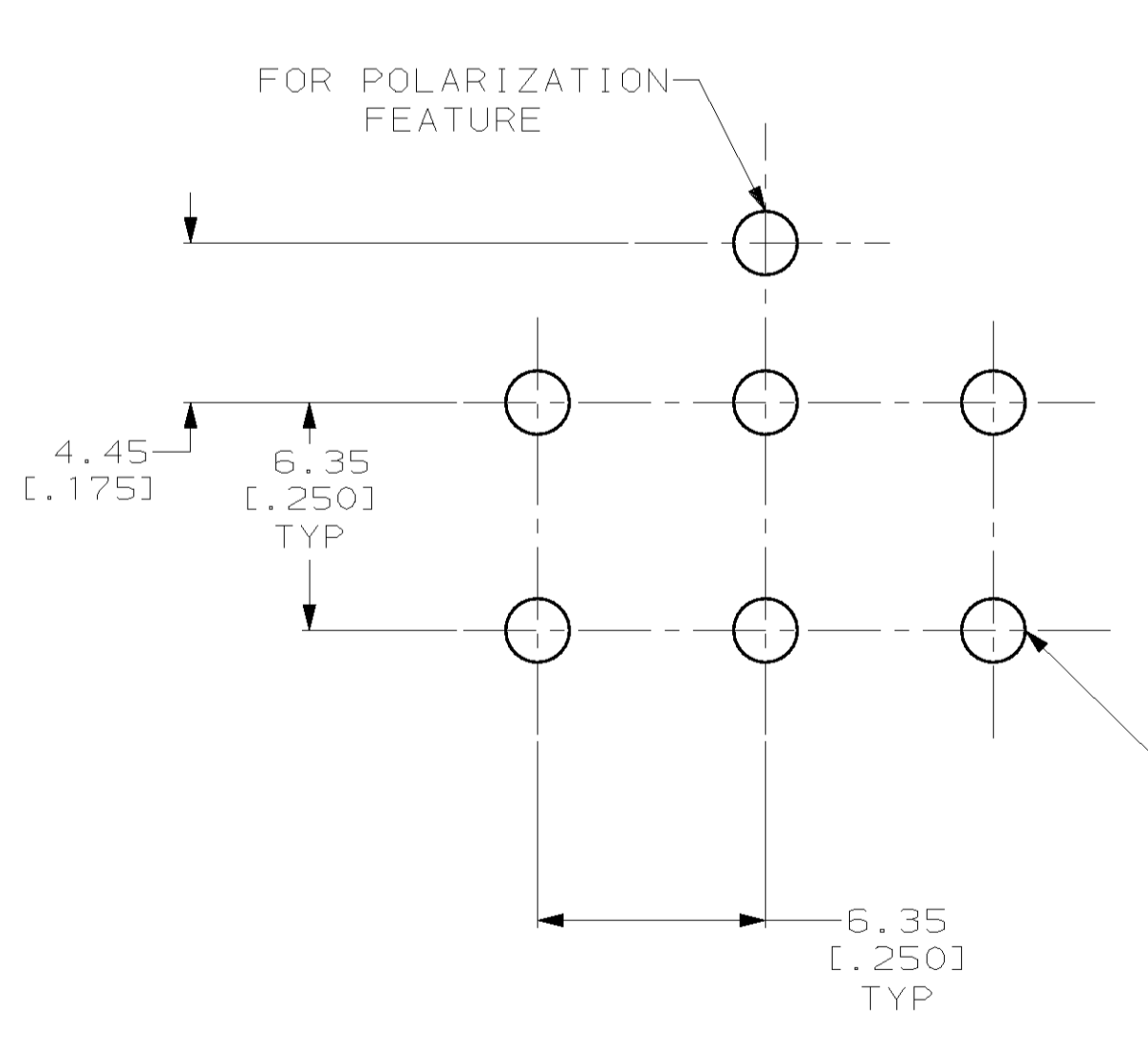
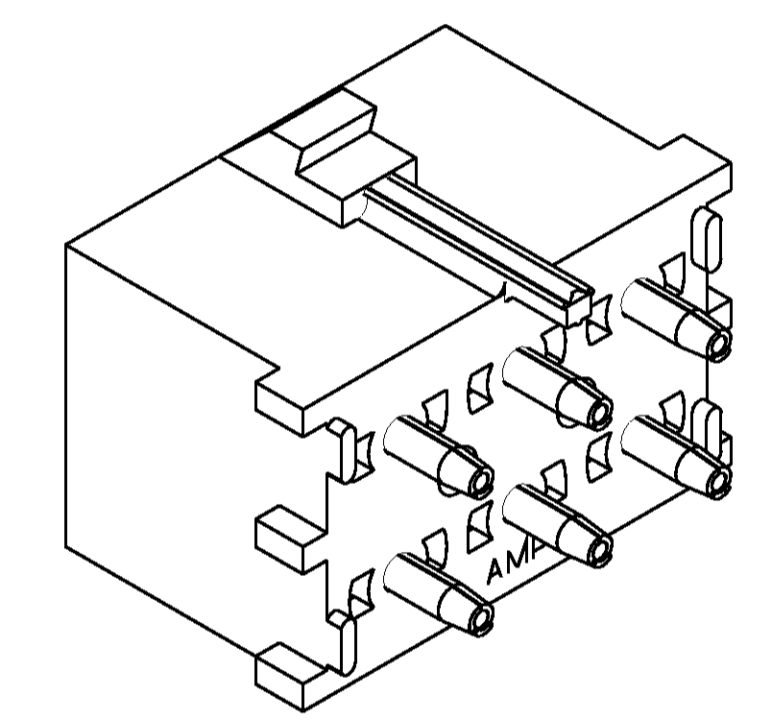
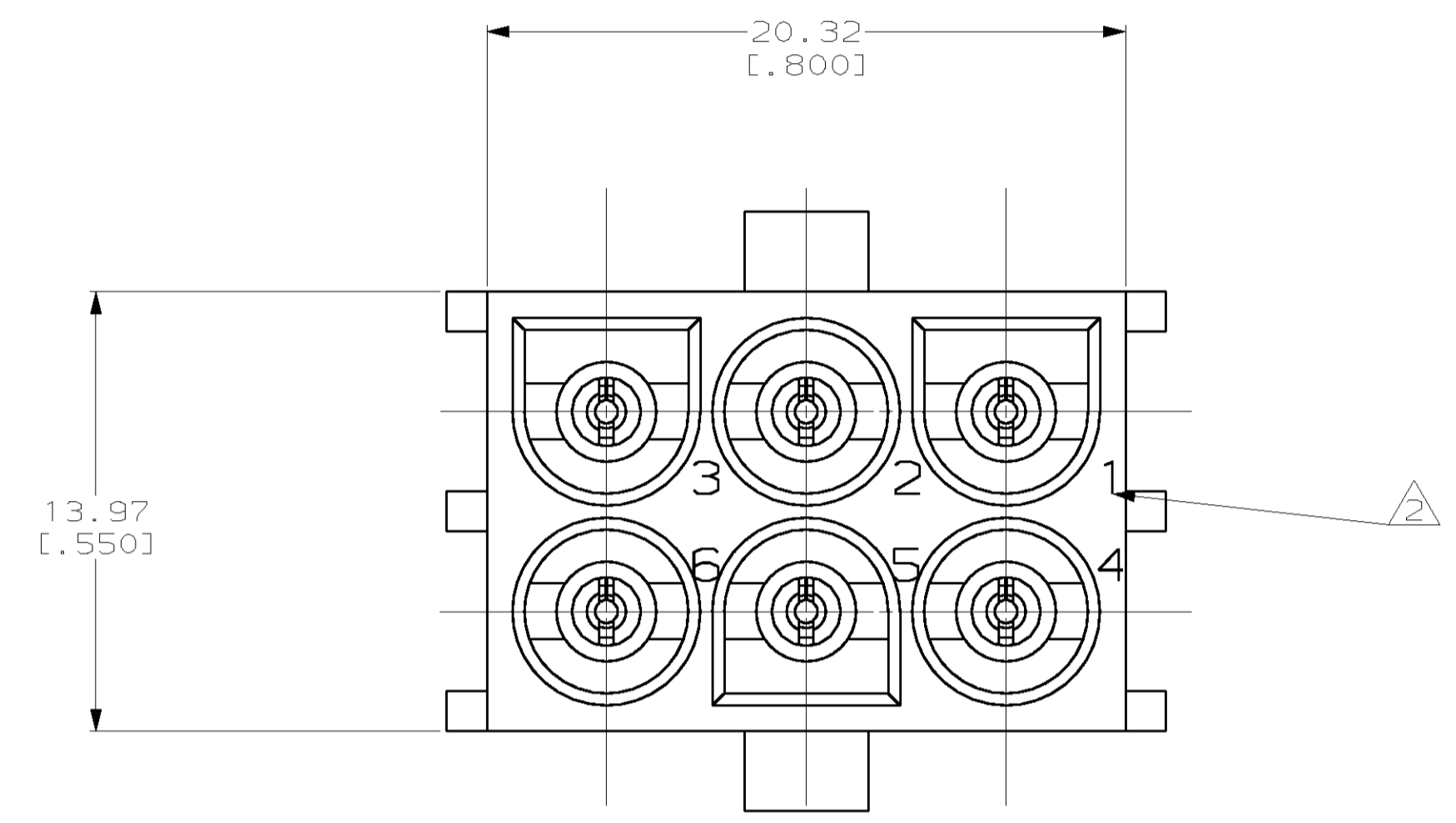
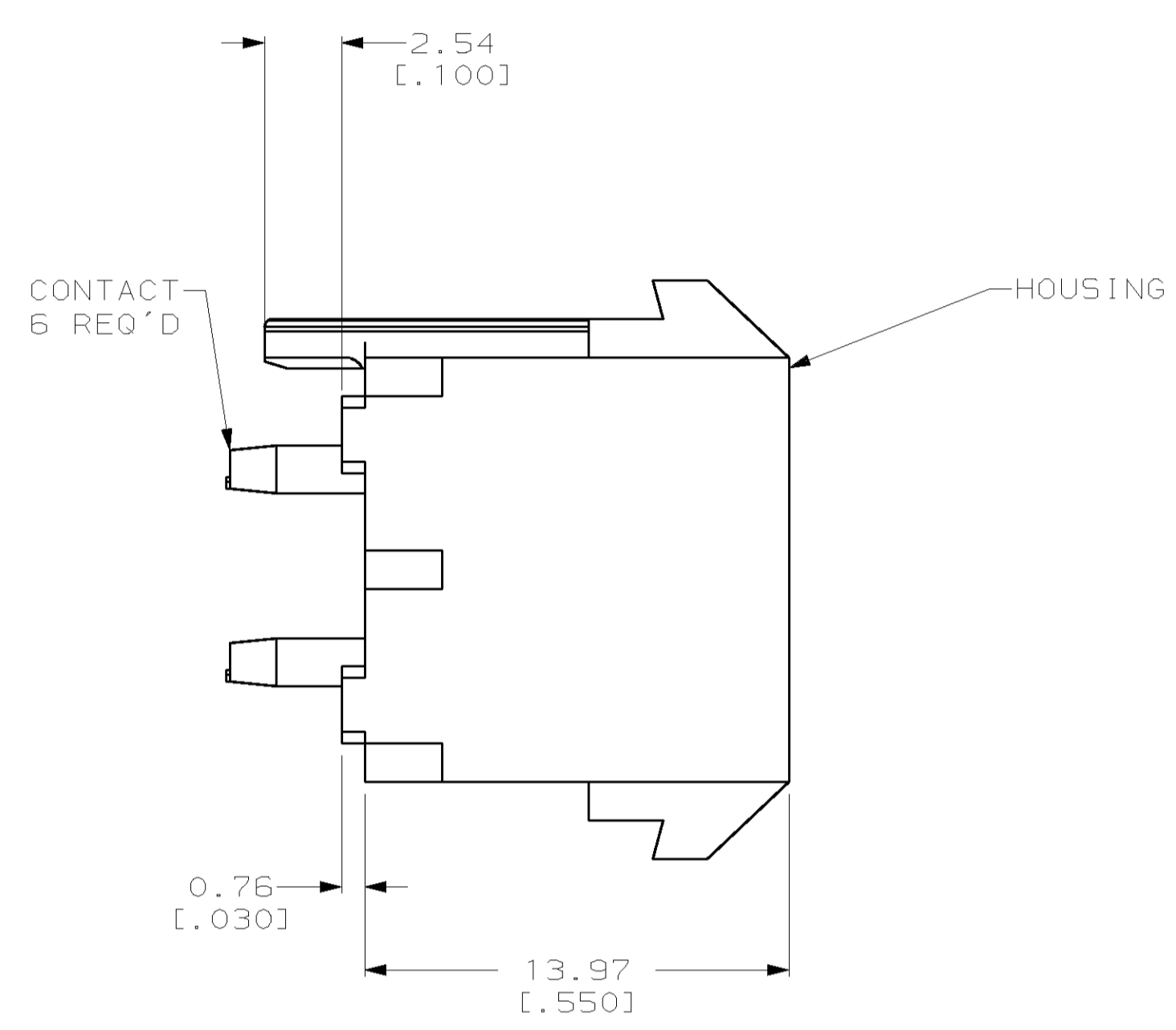
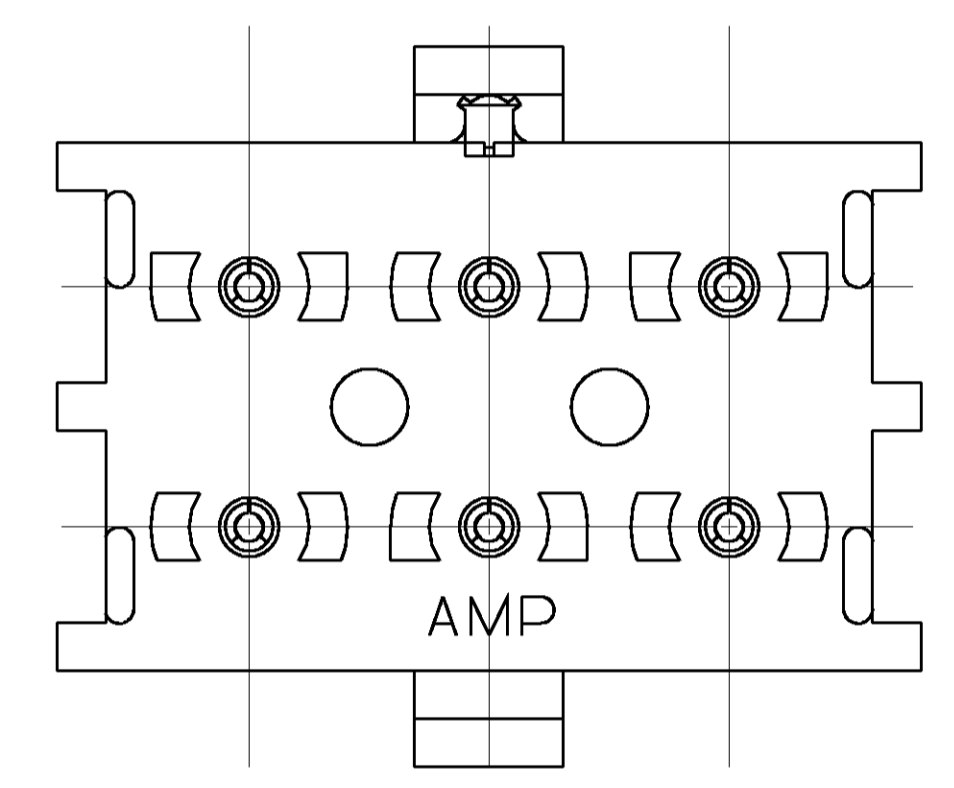


LOC	DIST	REV	DESCRIPTION	DATE	OWN	APPRO
CM	53	A	REVISED PER EC 0638-0070-03	13-FEB-03	KW	SR

- PARTS COMPLY WITH AMP SOLDERABILITY SPECIFICATION 109-11-3.
- CIRCUIT IDENTIFICATION CHARACTERS ARE ADJACENT TO THE INDICATED CAVITIES, BUT LOCATION AND ORIENTATION MAY DIFFER FROM PRINT.
- DIMENSIONS IN BRACKETS ARE IN INCHES.
- 150 C TEMPERATURE RATING FOR THIS HOUSING IS FOR SHORT TERM DURATION. MAX OPERATING TEMPERATURE REMAINS 125 C.



SECTION A-A  
SCALE 10:1

RECOMMENDED MOUNTING HOLE PATTERN FOR 1.57 [.062] THICK P.C. BOARD



PH BRZ	TIN PLATED	NYLON, UL94V-2	BLACK	794605-1
MATERIAL	FINISH	MATERIAL	COLOR	PART NO
THIS DRAWING IS A CONTROLLED DOCUMENT.		DWN B. LEWIS 23-FEB-1999 CHK R. SWING 23-FEB-1999 APVD M. TRULL 23-FEB-1999 NAME AMP Incorporated Harrisburg, PA 17105-3608		
DIMENSIONS INCHES	TOLERANCES UNLESS OTHERWISE SPECIFIED	PRODUCT SPEC APPLICATION SPEC WEIGHT CUSTOMER DRAWING		
0 PLC ±-	1 PLC ±-	SIZE CAGE CODE DRAWING NO RESTRICTED TO A1 00779 C-794605 -		
2 PLC ±-	3 PLC ±-	SCALE 5:1 SHEET 1 OF 1 REV A		
4 PLC ±-	ANGLES ±-			
MATERIAL SEE TABLE	FINISH SEE TABLE			