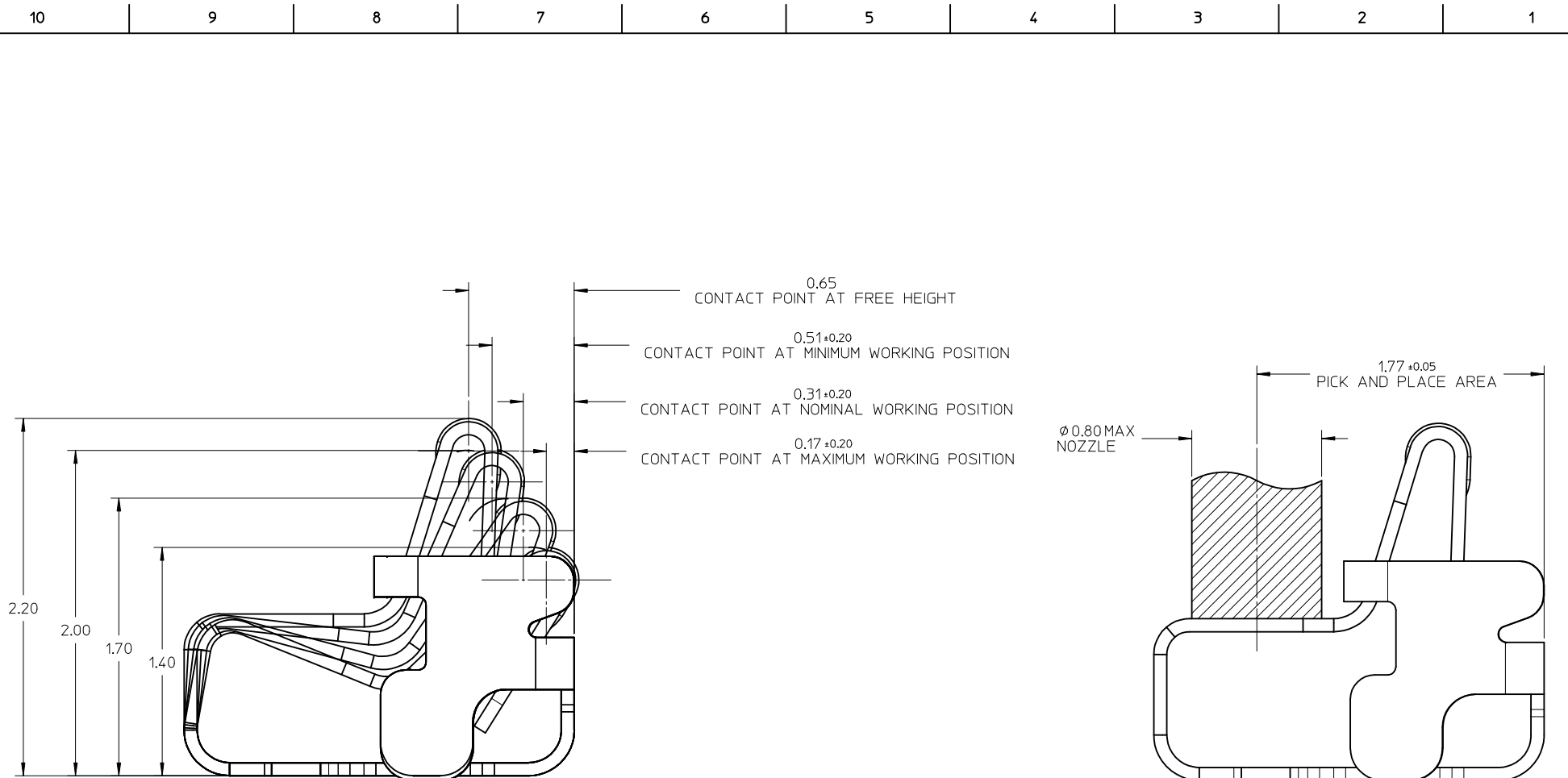


NOTES:

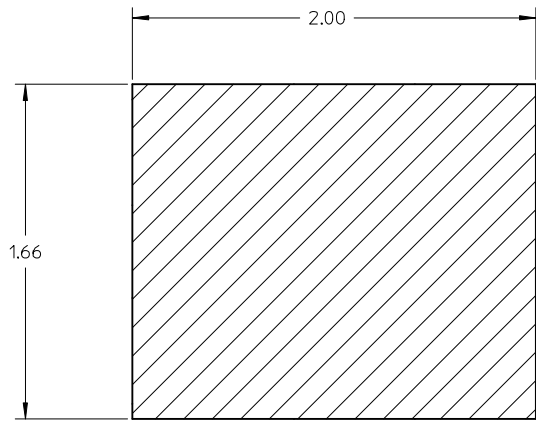
1. MATERIAL: STAINLESS STEEL
2. FINISH:
 - NI UNDER PLATING OVERALL: 1.25um MINIMUM
 - SOLDERING AREA: GOLD FLASH
 - CONTACT AREA: 0.25um Au MINIMUM
3. COMPONENT UN-COMPRESSED HEIGHT: 2.20mm
COMPONENT WORKING RANGE: 1.40mm~2.00mm
4. CURRENT: 1.5Amps MAXIMUM
5. CONTACT RESISTANCE:
 - INITIAL: 75mOHM MAXIMUM
 - AFTER GROUP TEST: 100mOHM MAXIMUM
6. CONTACT FORCE:
 - 0.2N MINIMUM AT 2.00mm POSITION
7. PRODUCT COMPLIANT TO ROHS DIRECTIVE 2011/65/EU AND ELV DIRECTIVE 2003/53/EC

PROPOSAL EC NO: SH2016-0120 DRW: RL109 CHKD: APPR: RZHANG 2015/10/26 2015/12/03	DESCRIPTION REV	QUALITY SYMBOLS	GENERAL TOLERANCES (UNLESS SPECIFIED)		DIMENSION STYLE	SCALE	DESIGN UNITS	THIRD ANGLE PROJECTION		
		$F_A=0$ $F_G=0$ $F_P=0$	mm	INCH	MM ONLY	40:1	METRIC			
		4 PLACES ± --- ± --- 3 PLACES ± --- ± --- 2 PLACES ± 0.15 ± --- 1 PLACE ± 0.20 ± --- 0 PLACE ± --- ± ---	DRAWN BY DATE		TITLE		SPRING FINGER WORKING RANGE 1.40MM~2.00MM molex			
		ANGULAR ± 3 ° DRAFT WHERE APPLICABLE MUST REMAIN WITHIN DIMENSIONS	RL109 2015/04/03 CHECKED BY DATE		APPROVED BY DATE RZHANG 2015/12/03					
A	REV	MATERIAL NO.		DOCUMENT NO.		SHEET NO.				
		1054390005		SD-105439-500		1 OF 3				

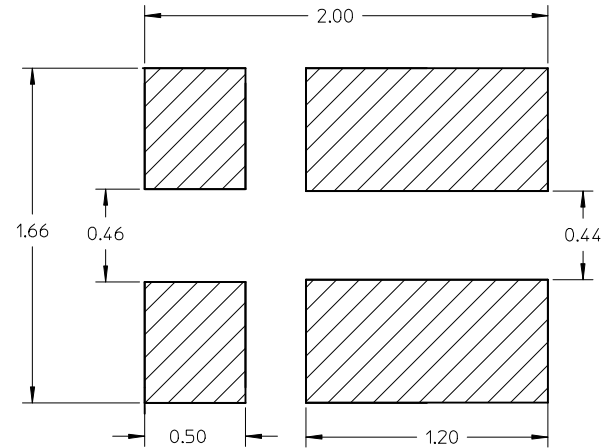


PROPOSAL EC NO: SH2016-0120 DRW:RL109 CHKD: APPR:RZHANG 2015/10/26 2015/12/03	QUALITY SYMBOLS	GENERAL TOLERANCES (UNLESS SPECIFIED)		DIMENSION STYLE	SCALE	DESIGN UNITS	THIRD ANGLE PROJECTION	
	$F_A=0$ $F_G=0$ $F_P=0$	mm	INCH	MM ONLY	40:1	METRIC		
	4 PLACES ± --- ± --- 3 PLACES ± --- ± --- 2 PLACES ± 0.15 ± --- 1 PLACE ± 0.20 ± --- 0 PLACE ± --- ± ---	DRAWN BY: RL109 DATE: 2015/04/03 CHECKED BY: DATE: APPROVED BY: RZHANG DATE: 2015/12/03		TITLE: SPRING FINGER WORKING RANGE 1.40MM~2.00MM molex		MATERIAL NO.: 1054390005 DOCUMENT NO.: SD-105439-500		SHEET NO.: 2 OF 3
	ANGULAR ± 3 ° DRAFT WHERE APPLICABLE MUST REMAIN WITHIN DIMENSIONS	SIZE: A3		THIS DRAWING CONTAINS INFORMATION THAT IS PROPRIETARY TO MOLEX INCORPORATED AND SHOULD NOT BE USED WITHOUT WRITTEN PERMISSION				

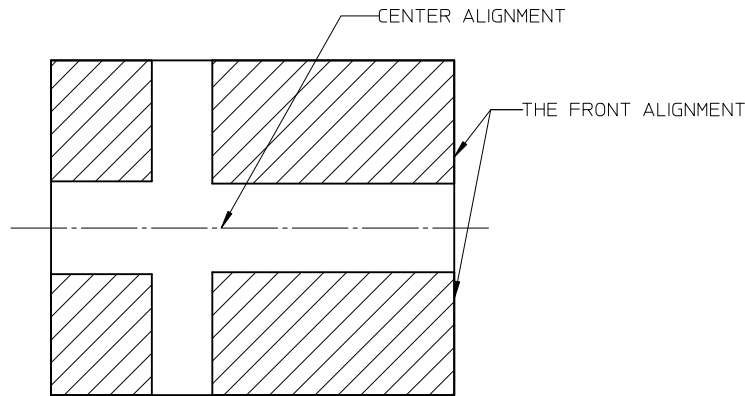
10 9 8 7 6 5 4 3 2 1



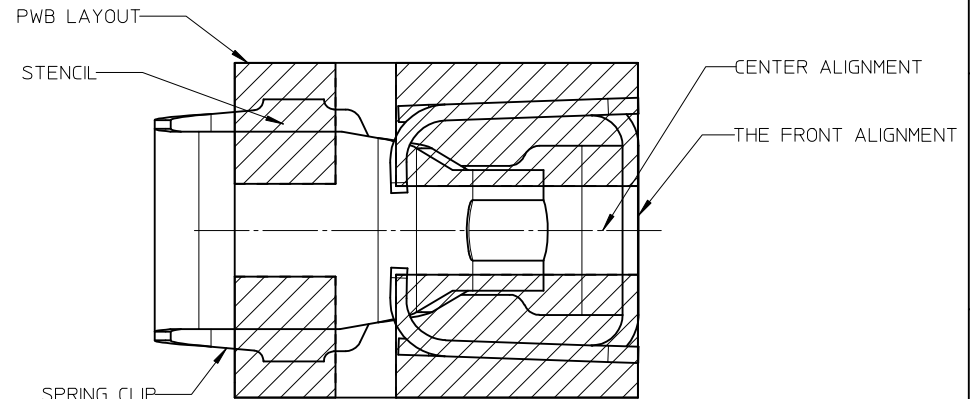
RECOMMENDED PWB LAYOUT
TOLERANCE±0.05



RECOMMENDED STENCIL
TOLERANCE±0.03



RELATIVE LOCATION: PWB LAYOUT VS STENCIL



RELATIVE LOCATION: PWB LAYOUT VS SPRING CLIP

PROPOSAL EC NO: SH2016-0120 DRWNR:RL109 CHKD: APPR:RZHANG 2015/10/26 2015/12/03	QUALITY SYMBOLS $F_A=0$ $F_G=0$ $F_P=0$	GENERAL TOLERANCES (UNLESS SPECIFIED) <table border="1"> <thead> <tr> <th></th> <th>mm</th> <th>INCH</th> </tr> </thead> <tbody> <tr> <td>4 PLACES</td> <td>± ---</td> <td>± ---</td> </tr> <tr> <td>3 PLACES</td> <td>± ---</td> <td>± ---</td> </tr> <tr> <td>2 PLACES</td> <td>± 0.15</td> <td>± ---</td> </tr> <tr> <td>1 PLACE</td> <td>± 0.20</td> <td>± ---</td> </tr> <tr> <td>0 PLACE</td> <td>± ---</td> <td>± ---</td> </tr> </tbody> </table>		mm	INCH	4 PLACES	± ---	± ---	3 PLACES	± ---	± ---	2 PLACES	± 0.15	± ---	1 PLACE	± 0.20	± ---	0 PLACE	± ---	± ---	DIMENSION STYLE MM ONLY DRAWN BY: RL109 DATE: 2015/04/03 CHECKED BY: DATE: APPROVED BY: RZHANG DATE: 2015/12/03	SCALE 40:1	DESIGN UNITS METRIC	THIRD ANGLE PROJECTION	TITLE SPRING FINGER WORKING RANGE 1.40MM~2.00MM
		mm	INCH																						
	4 PLACES	± ---	± ---																						
	3 PLACES	± ---	± ---																						
2 PLACES	± 0.15	± ---																							
1 PLACE	± 0.20	± ---																							
0 PLACE	± ---	± ---																							
MATERIAL NO. 1054390005	DOCUMENT NO. SD-105439-500	SHEET NO. 3 OF 3	molex																						
DRAFT WHERE APPLICABLE MUST REMAIN WITHIN DIMENSIONS	ANGULAR ± 3 °	SIZE A3	THIS DRAWING CONTAINS INFORMATION THAT IS PROPRIETARY TO MOLEX INCORPORATED AND SHOULD NOT BE USED WITHOUT WRITTEN PERMISSION																						
A	REV	6	5	4	3	2	1																		

9 8 7 6 5 4 3 2 1