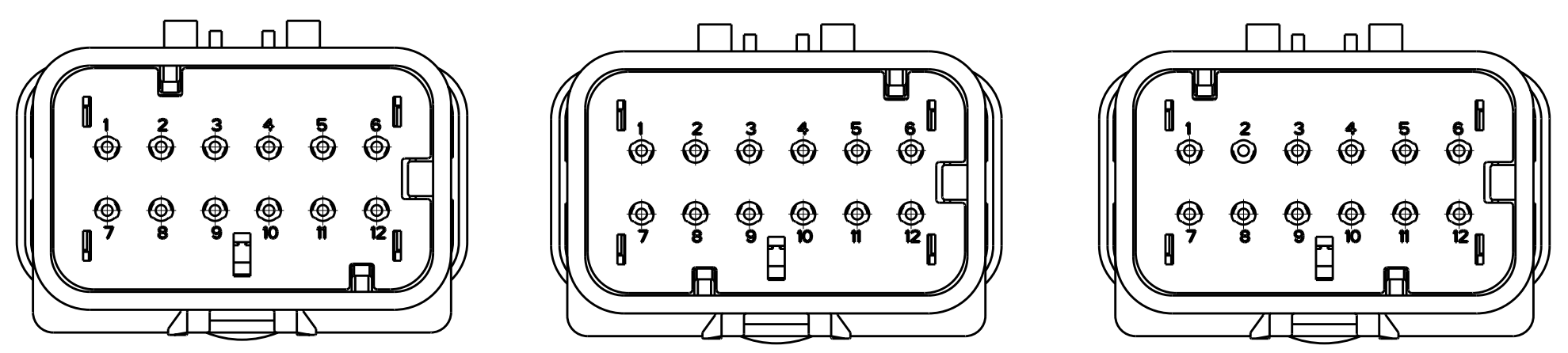


THIS DRAWING IS UNPUBLISHED. RELEASED FOR PUBLICATION  
 © COPYRIGHT 20 BY - ALL RIGHTS RESERVED.

LOC	DIST	REVISIONS					
GE	00	P	LTR	DESCRIPTION	DATE	DWN	APVD
		B3		REVISED PER ECO-11-005030	11MAR2011	RK	HMR

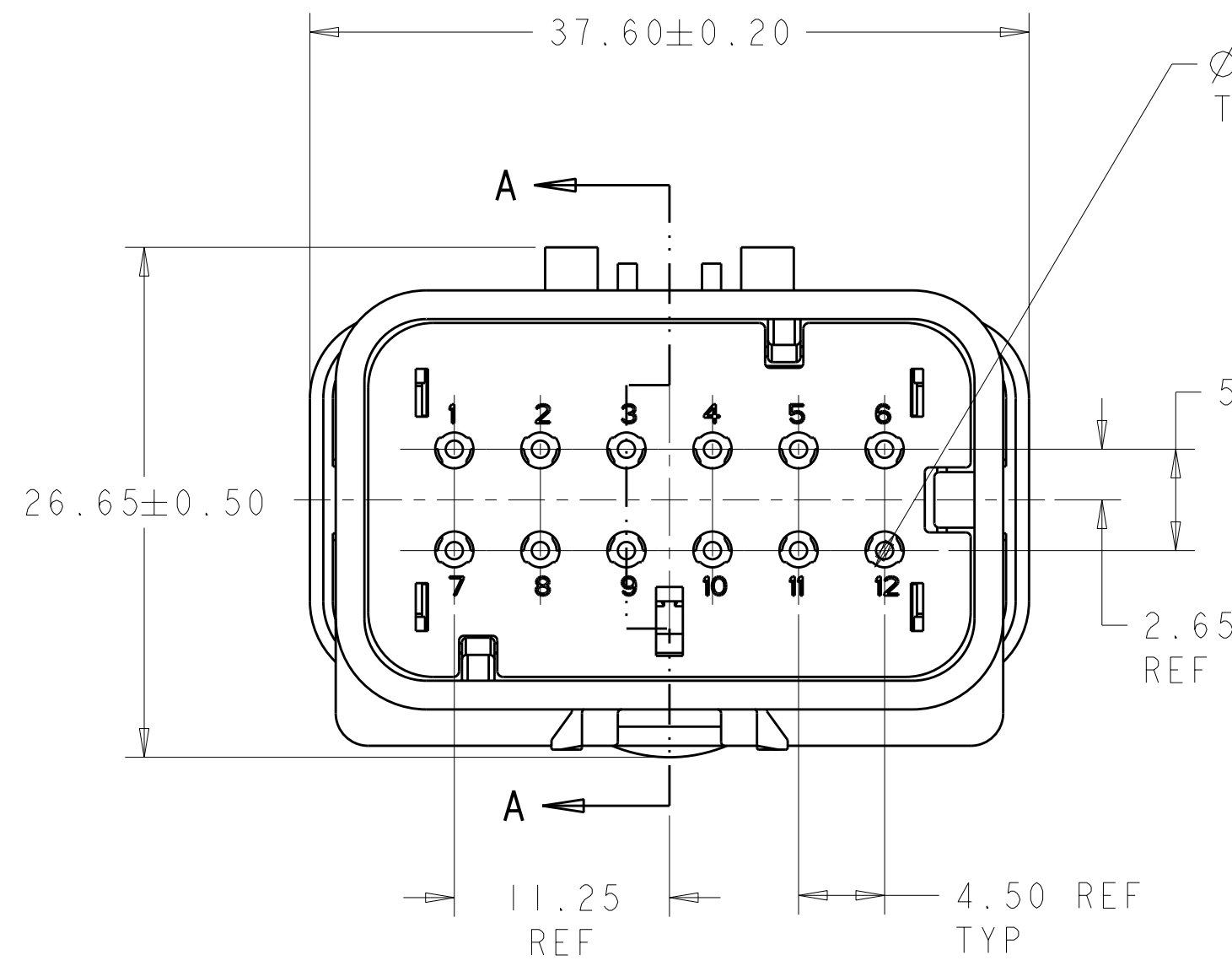


776539-2  
SCALE 2:1

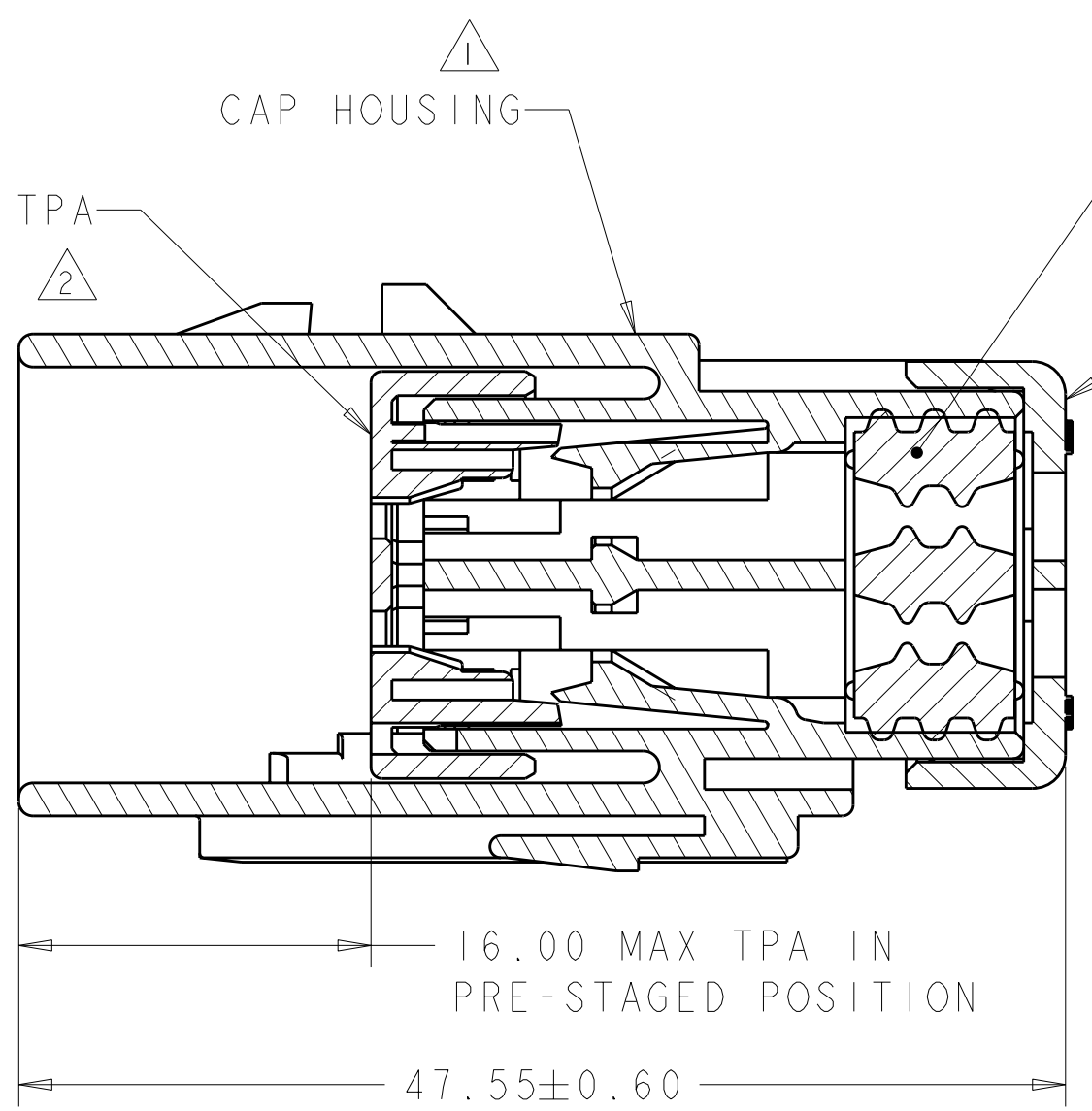
776539-3  
SCALE 2:1

776539-4  
SCALE 2:1

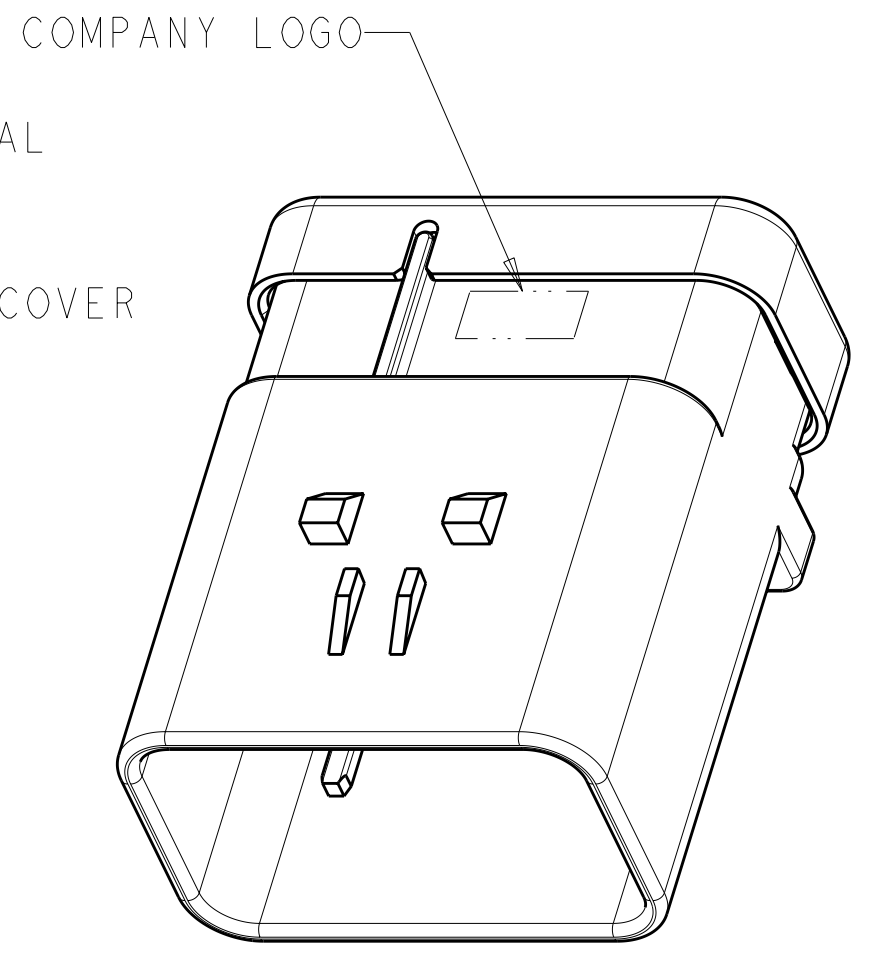
- 1 MATERIAL: 15% GLASS FILLED THERMOPLASTIC  
COLOR: BLACK
  - 2 MATERIAL: 15% GLASS FILLED THERMOPLASTIC  
COLOR: (SEE TABLE)
  - 3 MATERIAL: SILICONE  
COLOR: ORANGE
4. RECOMMENDED WIRE DIAMETER RANGE IS 1.30 TO 2.54mm



776539-1 SHOWN



SECTION A-A



SCALE 2:1

TPA COLOR	PART NUMBER
GREEN	776539-4
YELLOW	776539-3
GRAY	776539-2
RED	776539-1

THIS DRAWING IS A CONTROLLED DOCUMENT.		DWN W. HOELSCHER 04SEP2003	TE Connectivity			
DIMENSIONS: mm		CHK J. PATERSON 04SEP2003				
TOLERANCES UNLESS OTHERWISE SPECIFIED:		APVD D. KLEIN 04SEP2003	NAME CAP ASSEMBLY, 12 POSITION, 2 ROW, AMPSEAL 16 CONNECTOR REDUCED DIA WIRE SEAL			
0 PLC ± 1 PLC ± 2 PLC ± 3 PLC ± 4 PLC ± ANGLES ± FINISH		PRODUCT SPEC -	SIZE A2	CAGE CODE 00779	DRAWING NO 776539	RESTRICTED TO -
MATERIAL -		APPLICATION SPEC 114-13065	SCALE 2:1		SHEET 1 OF 1	REV B3
CUSTOMER DRAWING		WEIGHT -				