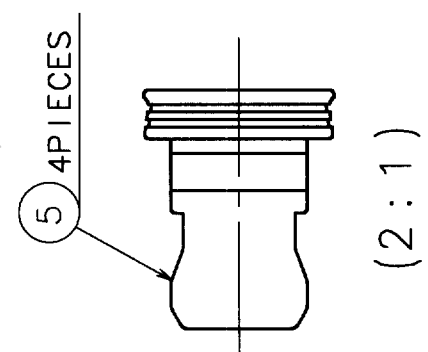
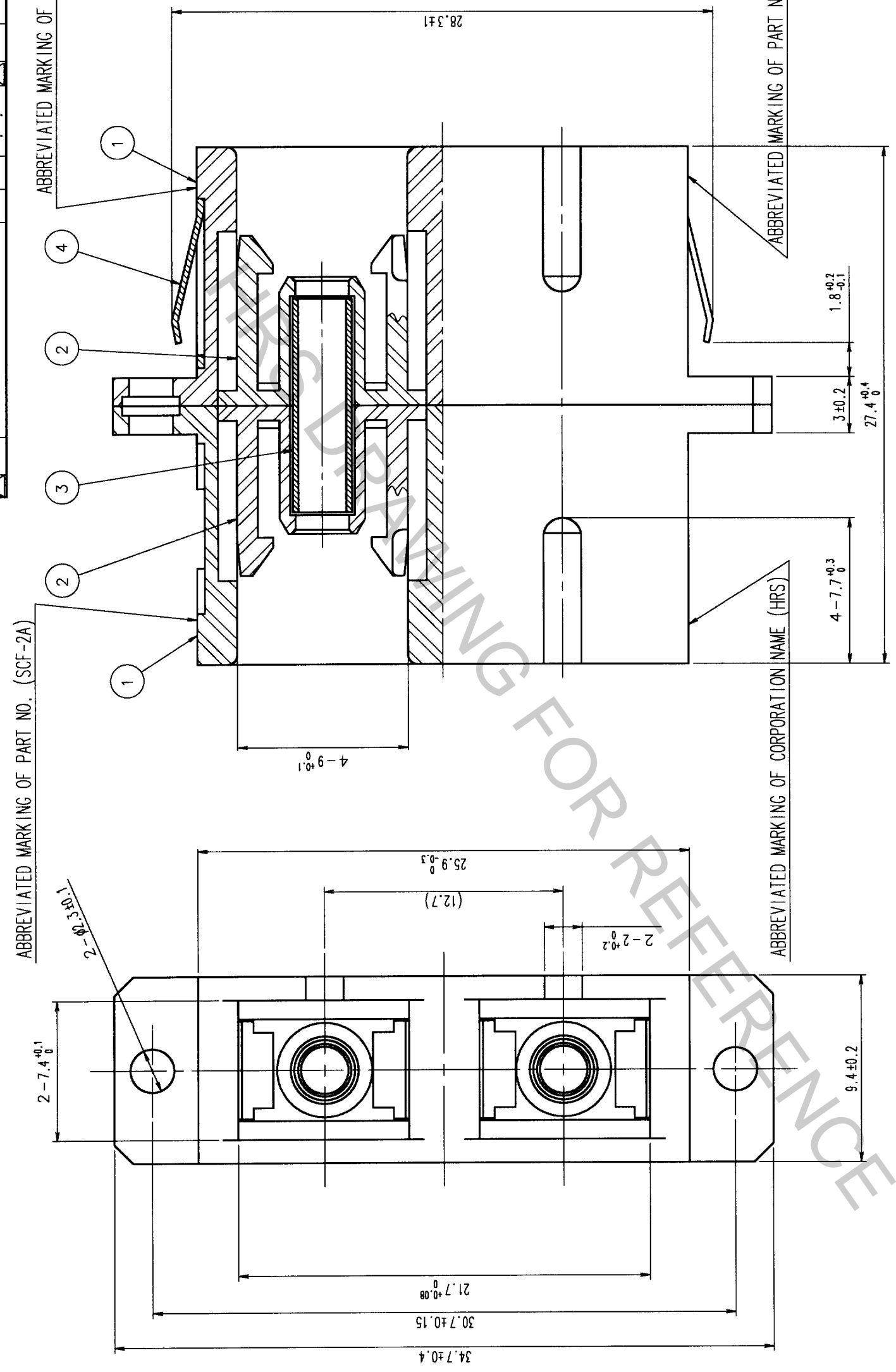


NOTE 1. Delivered with cap installed.



ABBREVIATED MARKING OF PART NO. (SCF-2A)

ABBREVIATED MARKING OF CORPORATION NAME (HRS)

COUNT	DESCRIPTION OF REVISIONS	BY	CHKD	DATE	COUNT	DESCRIPTION OF REVISIONS	BY	CHKD	DATE
△					△				
△					△				
△					△				

NO.	ZIRCONIA	SYNTHETIC RESIN	FINISH, REMARKS	DRAWN	DESIGNED	CHECKED	APPROVED	RELEASED	
3	ZIRCONIA	BLUE		T. Ito	F. Yoshida	S. Aizawa	F. Nagai		
2	SYNTHETIC RESIN	BLUE		01.02.05	01.02.05	01.2.8			
1	SYNTHETIC RESIN	BLUE							
CODE NO. (OLD)		FINISH, REMARKS		MATERIAL		NO.		MATERIAL	
				DESIGNED		APPROVED		RELEASED	
				01.02.05		01.2.8		01.2.8	
DRAWING NO.		PART NO.		HSCF-2A-D(P)(06)					
EDC3-047843-01									
SCALE		UNITS		CODE NO.		CL704-2040-9-06		1/1	
4 : 1		MM							
				HIROSE ELECTRIC CO., LTD					

TO			
----	--	--	--