

FAL3F (50[□] x 20^L)



EMINEBEA.COM

General Specifications

Allowable Ambient Temperature Range:

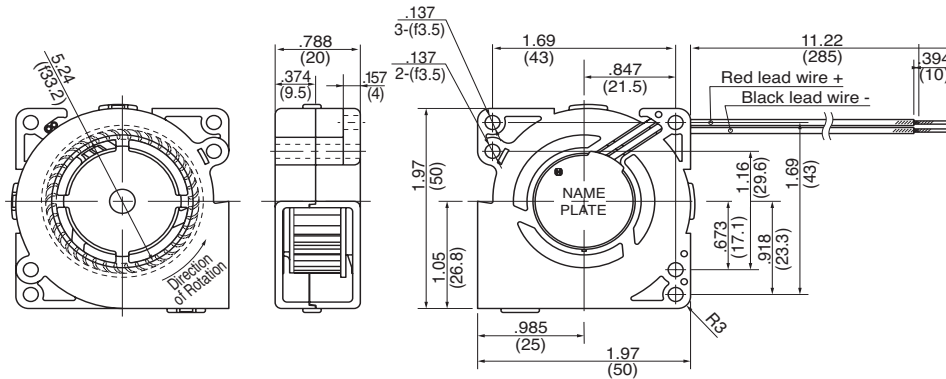
- 10°C ~ +60°C (65%RH) (Operating)
- 40°C ~ +75°C (65%RH) (Storage)
- (non-condensing environment)

Expected Life

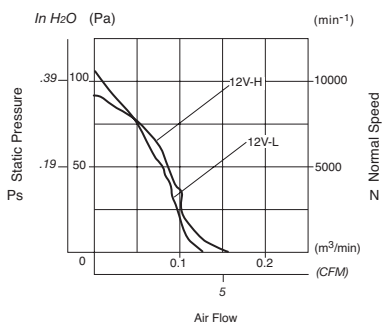
Failure Rate: 10%
20,000 Hours (25°C, 65%RH)

Outline

Units: $\frac{\text{inch}}{\text{mm}}$



Characteristic Curves



Material

Bearing: Ball Bearing

Specifications

MODEL	Rated Voltage	Operating Voltage	Current	Input Power	Rated Speed	Max. Air Flow		Max. Static Pressure		Noise	Mass
	(V)	(V)	(A) ^{*1}	(W) ^{*1}	(min ⁻¹) ^{*1}	CFM ^{*1}	(m ³ /min) ^{*1}	in H ₂ O	(Pa) ^{*1}	(dB) ^{*1}	(g)
FAL3F 05LL	5	4.5 ~ 6.0	205	1.64	4400	3.95	0.11	.31	79.4	28.5	40
FAL3F 05LH	5	4.5 ~ 6.0	380	1.90	5400	4.94	0.14	.60	151.0	36.0	40
FAL3F 12LL	12	7.0 ~ 13.8	111	1.33	4400	3.95	0.11	.31	79.4	28.5	40
FAL3F 12LH	12	7.0 ~ 13.8	185	2.22	5200	4.87	0.13	.60	151.0	35.0	40
FAL3F 24LH	24	12.0 ~ 27.6	105	2.52	5200	4.87	0.13	.60	151.0	35.0	40

Rotation: Clockwise

Airflow Outlet: Air Out Over Struts

*1: Average Values in Free Air