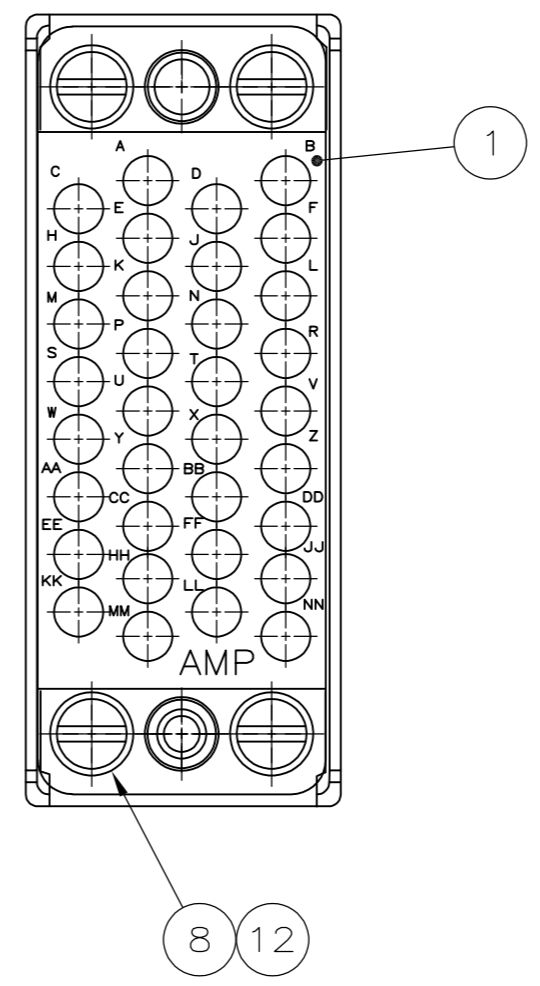
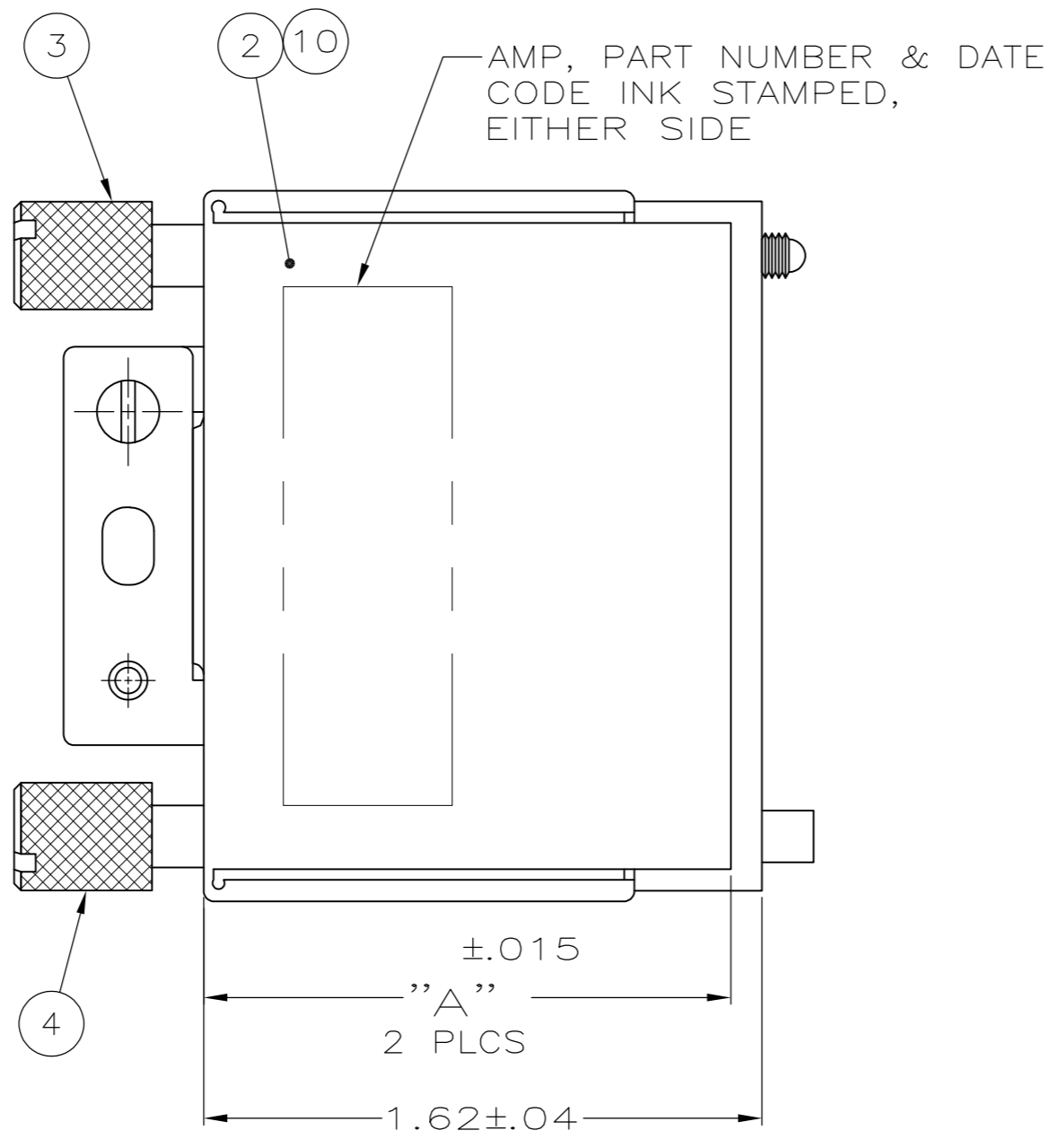
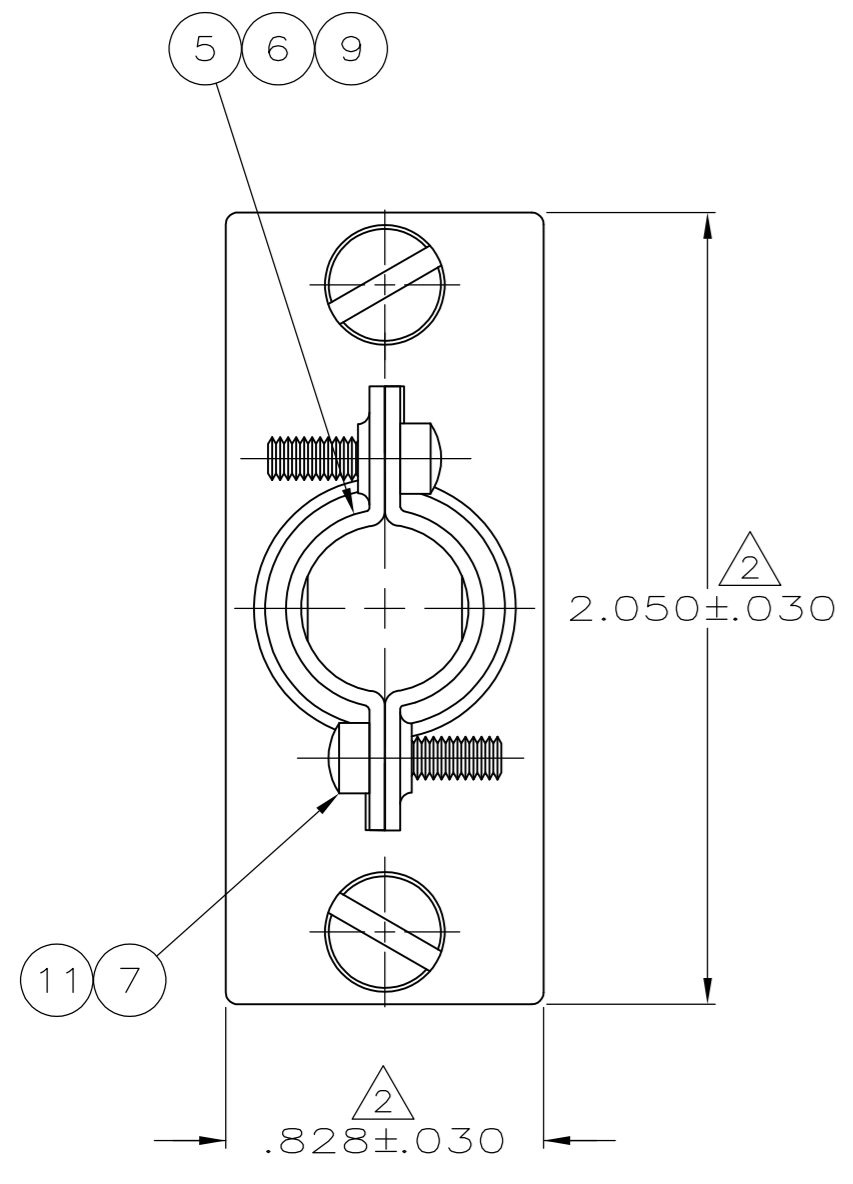


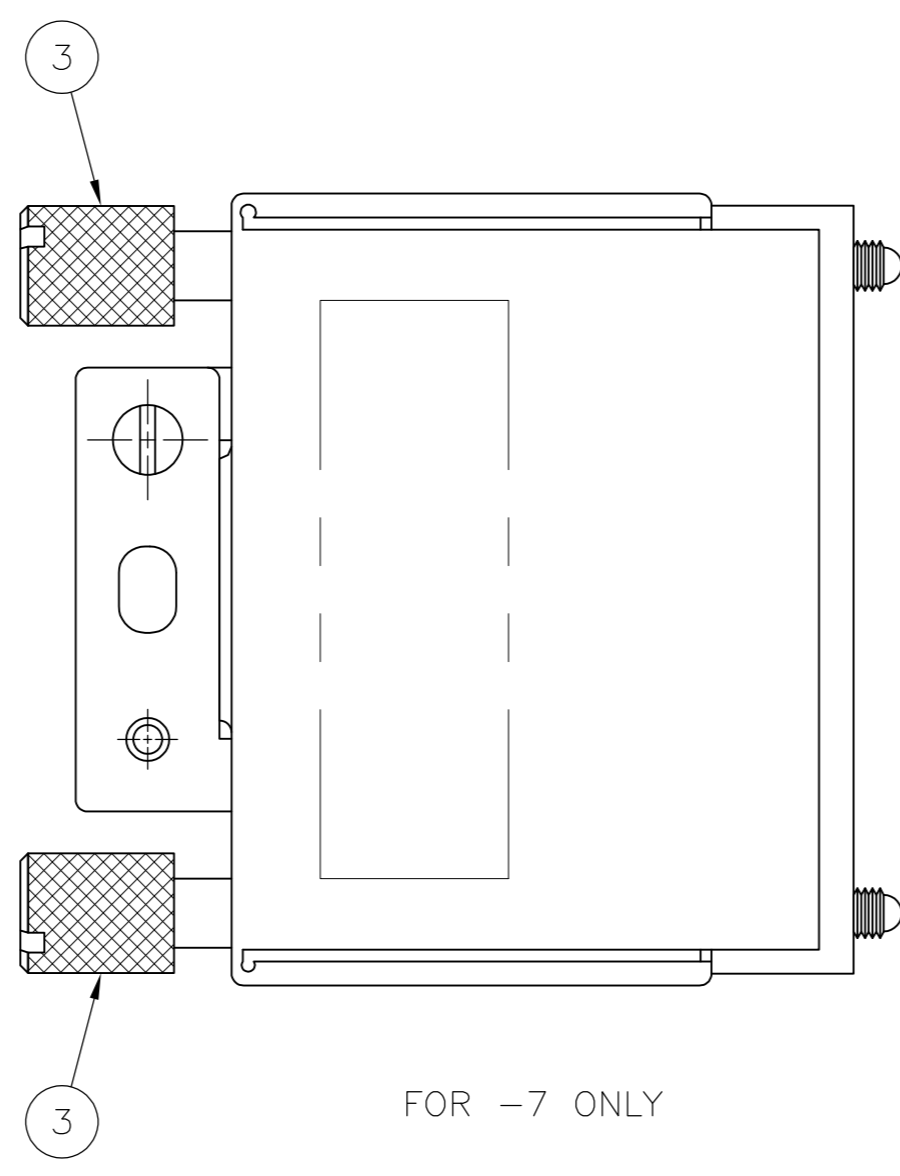
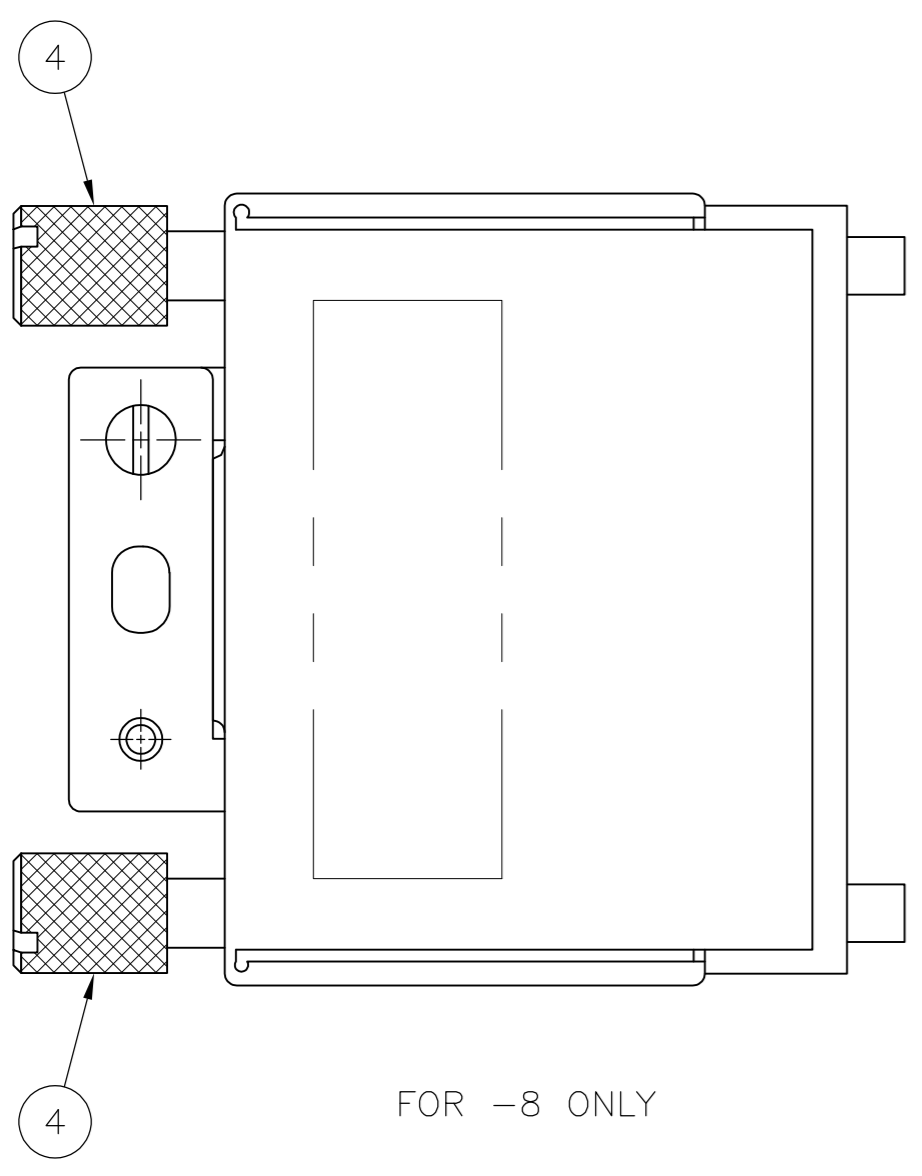
THIS DRAWING IS UNPUBLISHED. RELEASED FOR PUBLICATION
 © COPYRIGHT - By - ALL RIGHTS RESERVED.

LOC		DIST		REVISIONS			
P	LTR	DESCRIPTION		DATE	DWN	APVD	
FT	0	F4	REVISED PER ECO-11-024884	14DEC11	KH	DR	



- 1 PARTIALLY ASSEMBLED.
- 2 DIMENSION APPLIES AT BASE OF BEND.
- 3 ALL ITEMS BULK PACKAGED SEPARATELY WITHOUT INK MARKING.
- 4 PRELIMINARY PART NO.
- 5 FINISH: ZINC PLATE WITH HEXAVALENT CHROMATE.
- 6 FINISH: ZINC PLATE WITH NON-HEXAVALENT CHROMATE.
- 7 OBSOLETE PARTS: OBSOLETE CIS STREAMLINING PER D.RENAUD/D.SINISI

DIM	A	CABLE AREA SQUARE INCHES	PART NUMBER
1.530	.1491-.2336		213522-8
1.530	.1491-.2336		213522-7
1.530	.1491-.2336		213522-6
7 OBSOLETE	1.225	.1491-.2336	213522-5
7 OBSOLETE	1.530	.0314-.0707	213522-4
7 OBSOLETE	1.530	.1491-.2336	213522-3
1.530	.1176-.1643		213522-2
1.530	.1491-.2336		213522-1



QTY	DESCRIPTION	MATERIAL	ITEM NO.
1	RECEPTACLE HOUSING, MOD 2 FEMALE JACKSCREW	PHENOLIC, BLACK	13
4	SCREW, #4-40, .250 LONG	STEEL, PLATED ZINC	12
2	SCREW, #4-40, .375 LONG	STEEL, PLATED ZINC	11
1	SHIELD, SHORT/SHORT	ALUMINUM, ANODIZED	10
2	CABLE CLAMP	STEEL, PLATED ZINC	9
4	SCREW, #4-40, .250 LONG	STEEL, PLATED ZINC	8
2	SCREW, #4-40, .375 LONG	STEEL, PLATED ZINC	7
2	CABLE CLAMP	STEEL, PLATED ZINC	6
2	CABLE CLAMP	STEEL, PLATED ZINC	5
2	JACKSCREW, FEMALE	STAINLESS STEEL	4
2	JACKSCREW, MALE	STAINLESS STEEL	3
1	SHIELD, SHORT	ALUMINUM, ANODIZED	2
1	RECEPTACLE HOUSING, MOD	PHENOLIC, BLACK	1

THIS DRAWING IS A CONTROLLED DOCUMENT.

DWN: D.ERDMAN 4-6-88
 CHK: R.STONE 4-6-88

TE Connectivity

KIT ASSEMBLY, RECEPTACLE, 34 POSITION, M SERIES

SIZE: A2 CAGE CODE: 00779 DRAWING NO: 213522

SCALE: 2:1 SHEET: 1 of 1 REV: F4