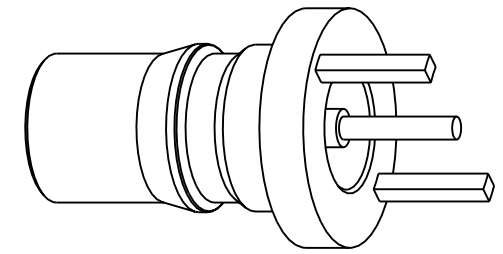


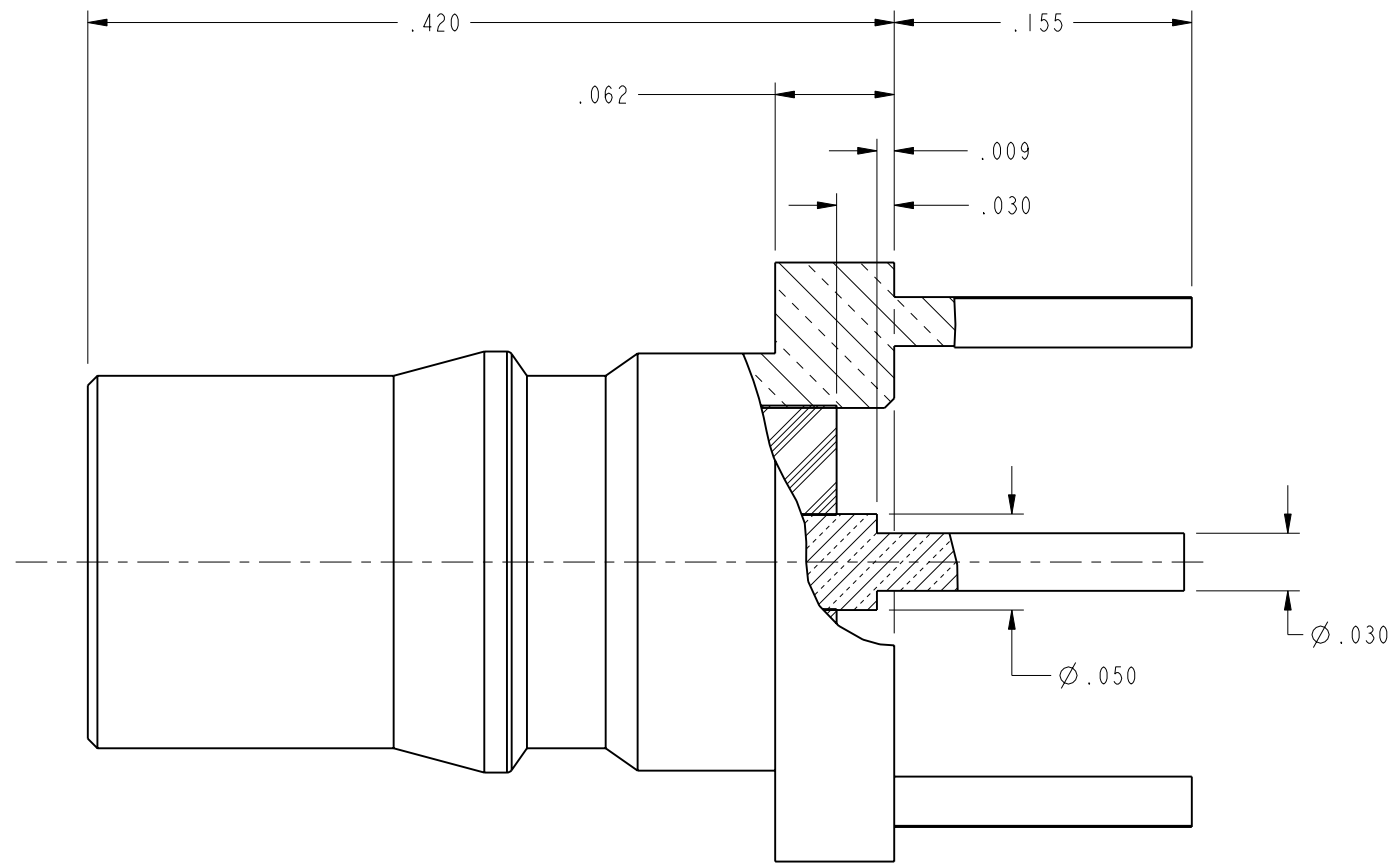
NOTES:

1. DO NOT SCALE THIS DRAWING.
2. MATERIALS AND FINISHES:
 BODY - BRASS, GOLD PLATING (.000010 THICK MIN) OVER NICKEL
 CONTACT - BeCu, GOLD PLATING (.000030 THICK MIN) OVER NICKEL
 INSULATOR - PTFE
3. ELECTRICAL:
 A. IMPEDANCE: 50 OHM
 B. FREQUENCY RANGE: DC - 6 GHz
 C. VSWR(RETURN LOSS): -32 dB TO 3 GHz MAX.; -25 dB TO 6 GHz MAX.
 (SINGLE CONNECTOR TERMINATED, NO PCB LAUNCH INCLUDED)
4. PHYSICAL:
 A. DURABILITY: 100 CYCLES MIN.
 B. TEMPERATURE RANGE: -40°C - +80°C
 C. SUITABLE FOR SOLDER REFLOW PROCESSING
5. PACKAGING:
 A. QUANTITY: SINGLE PACK
 B. MARKING: BAG TO BE MARKED
 "AMPHENOL, 930-102J-51P, AND DATE CODE"

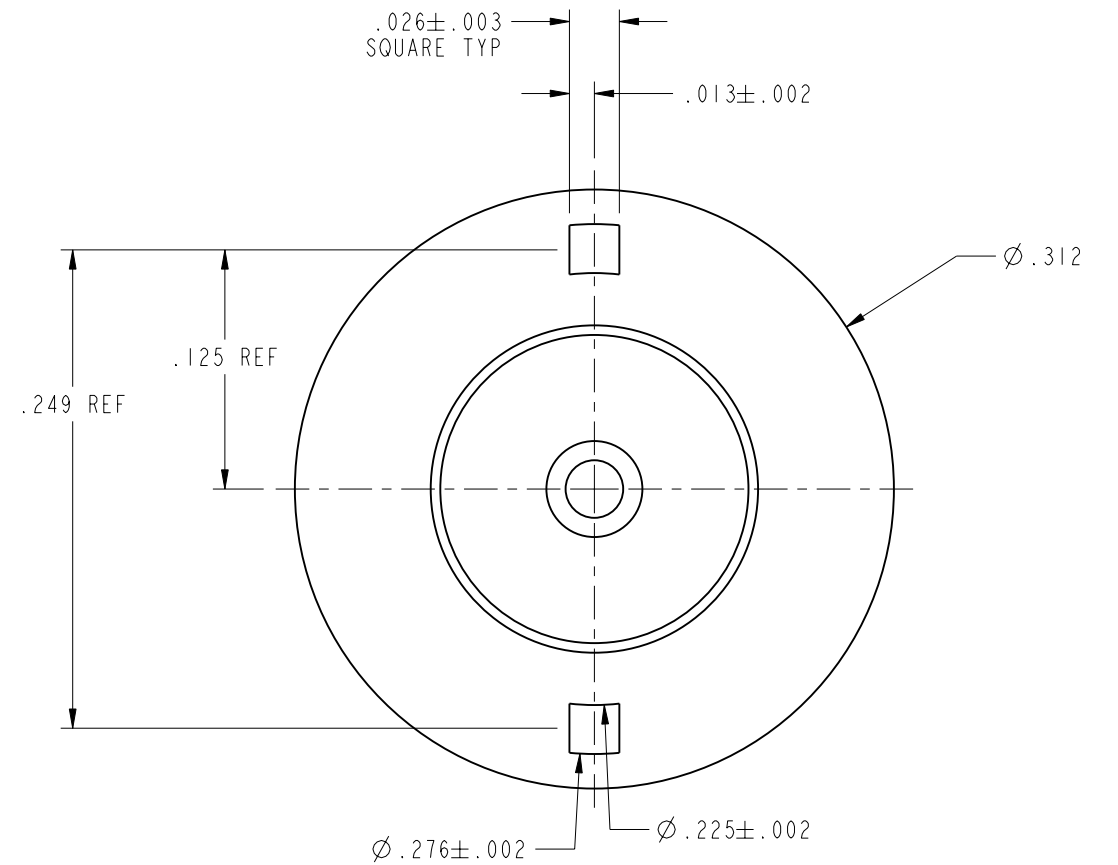
930-102J-51P		REVISIONS			
DRAWING NO.	REV	DESCRIPTION	DATE	ECO	APPR
THIRD ANGLE PROJ.	A	RELEASE TO MFG	12/18/02	44316	CPM
	B	ADDED .009 AND .050	1/8/03	44327	CPM



SCALE 4.000



SECTION A-A



CUSTOMER OUTLINE DRAWING
 ALL OTHER SHEETS ARE FOR INTERNAL USE ONLY

UNLESS OTHERWISE SPECIFIED, DIMENSIONS ARE IN INCHES AND TOLERANCES ARE: 2 PLACE DECIMAL ±.015 (0,381 mm) 3 PLACE DECIMAL ±.005 (0,127 mm) ANGLES ± 1°	MATERIAL	DRAWN K. CAPOZZI	DATE 28-FEB-02	TITLE QMA JACK PC MOUNT RECEPTACLE	Amphenol Amphenol Corporation Communication and Network Products Division Danbury, CT U.S.A. 06810		
	NOTICE - These drawings, specifications, or other data (1) are, and remain the property of Amphenol Corp. (2) must be returned upon request; and (3) are confidential and not to be disclosed to any person other than those to whom they are given by Amphenol Corp. The furnishing of these drawings, specifications, or other data by Amphenol Corp., or to any other person to anyone for any purpose is not to be regarded by implication or otherwise in any manner licensing, granting rights or permitting such holder or any other person to manufacture, use or sell any product, process or design, patented or otherwise, that may in any way be related to or disclosed by said drawings, specifications, or other data.	REFERENCE EAR 554 615X-1777-100	ENGINEER K. CAPOZZI			DATE 28-FEB-02	SCALE: 10.0:1 SHEET 2 OF 2
	GEN# ASSYFI_QMA	APPROVED O. BARTHELMES	DATE 12/18/02	CODE ID 74868	DWG SIZE B	DRAWING NO. 930-102J-51P	REV B