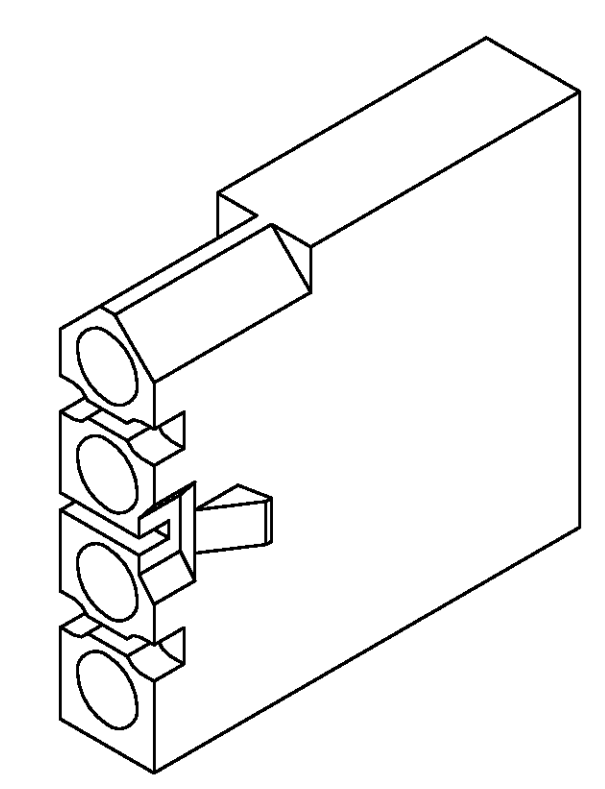
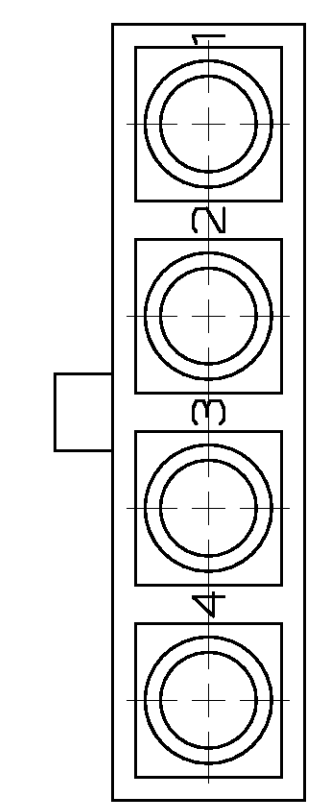
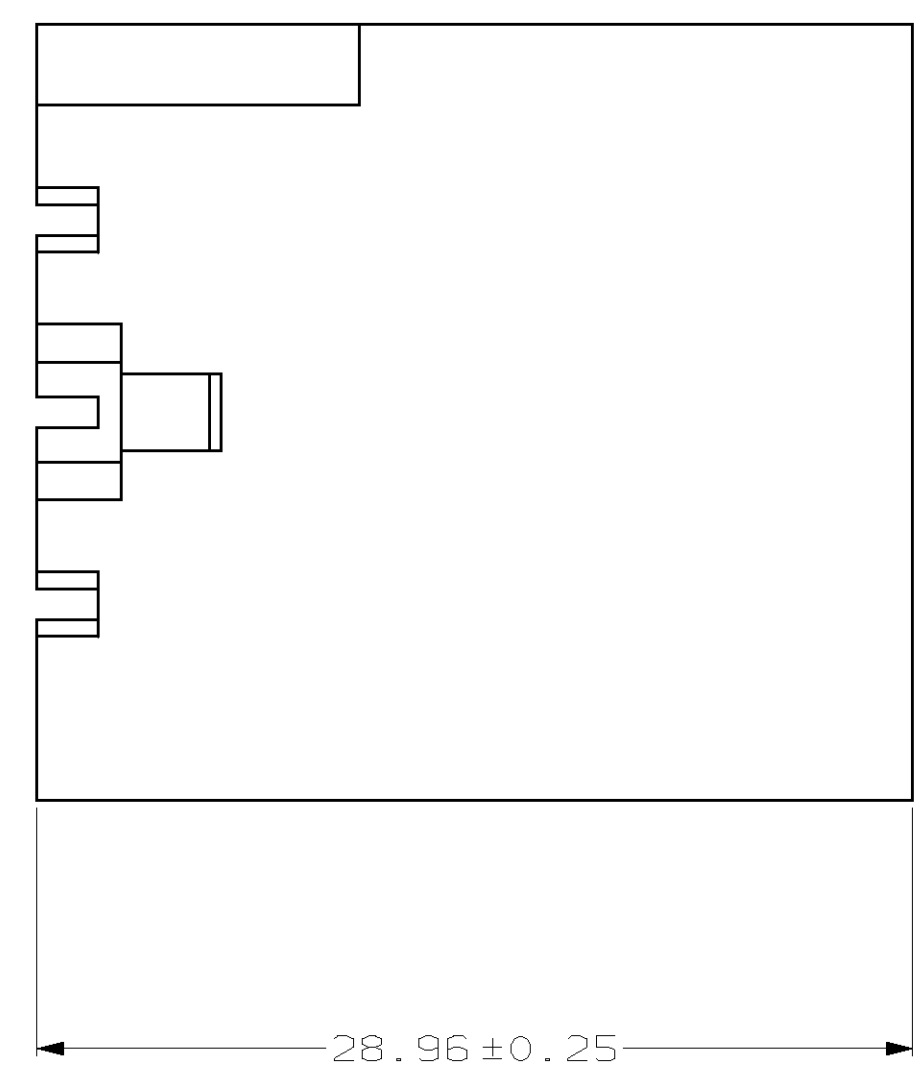
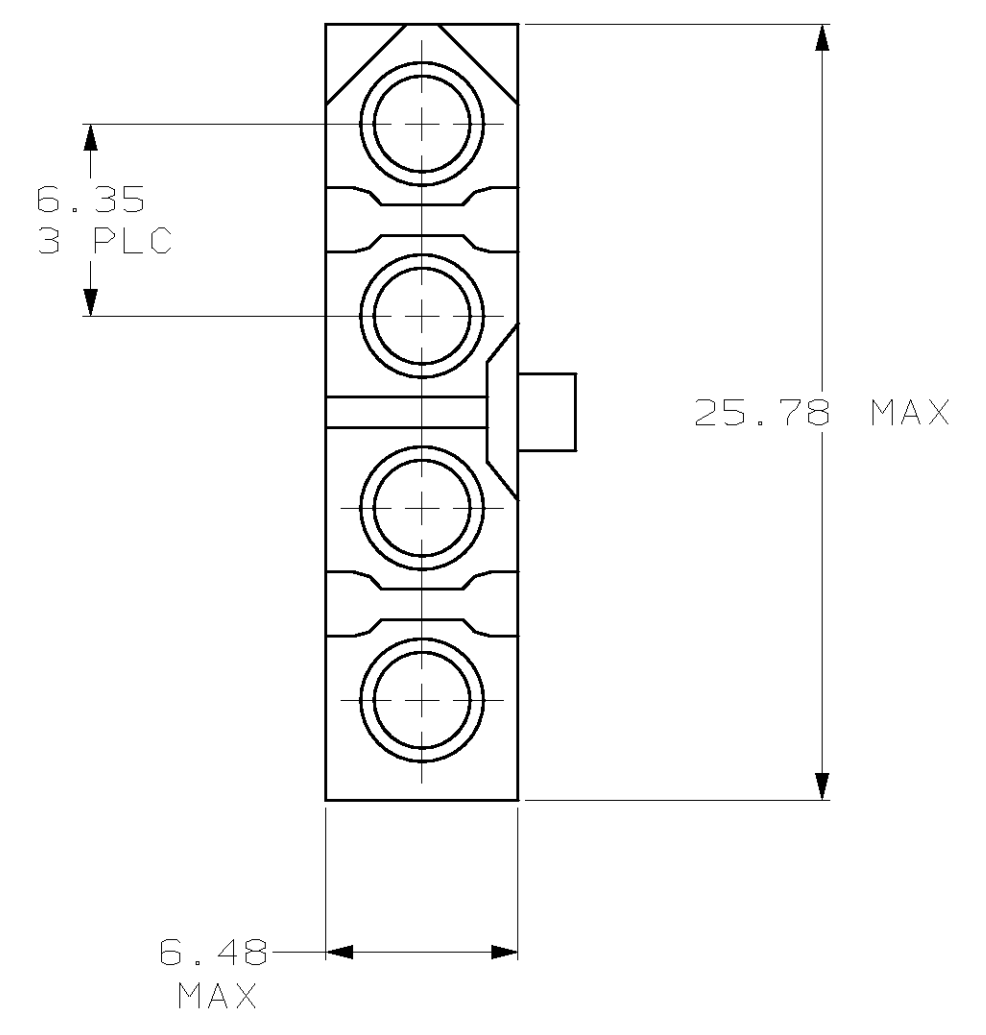
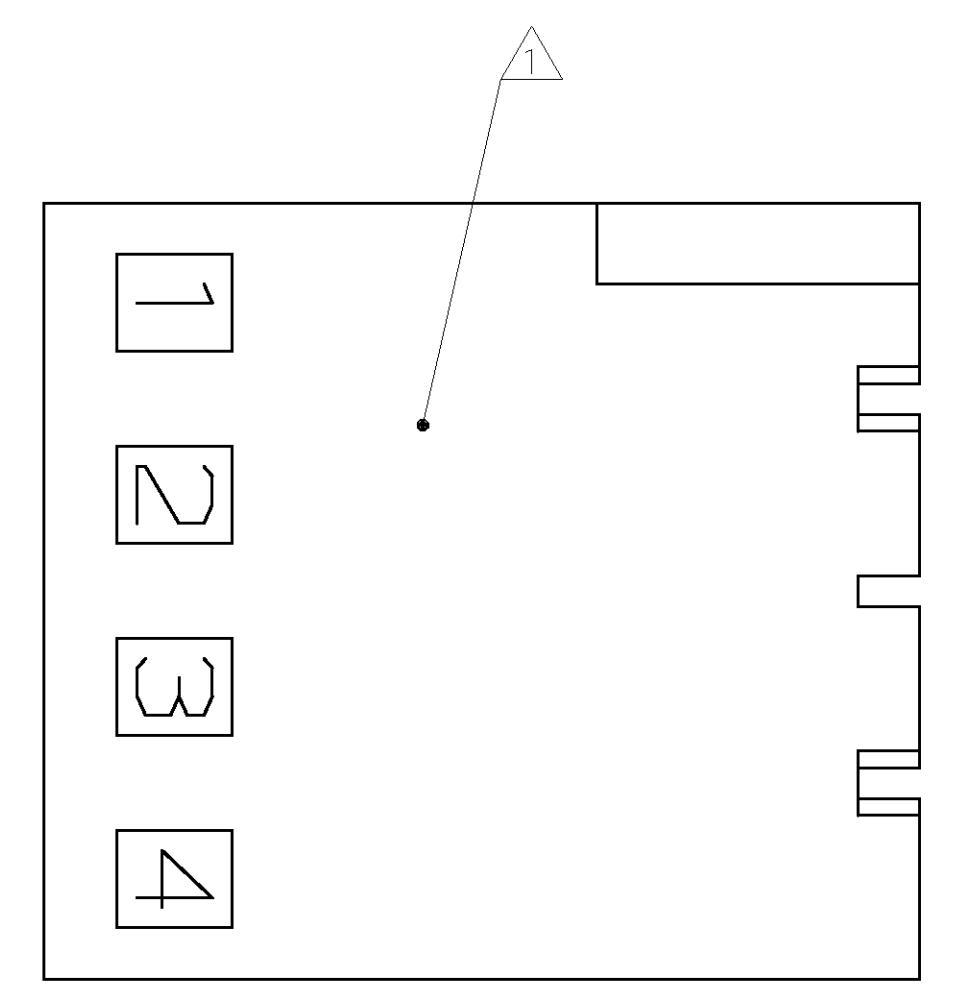


AMP LOGO LOCATED THIS SURFACE.



3-DIMENSIONAL MODEL NTS

28.96	1.140
25.78	1.015
6.48	.255
6.35	.250
0.25	.010
0.13	.005
MM	IN

CONVERSION TABLE

770337-1  
PART NUMBER

THIS DRAWING IS A CONTROLLED DOCUMENT.		OWN K. WHITAKER	10-24-97	<b>AMP</b> AMP Incorporated Harrisburg, PA 17105-3608
DIMENSIONS: mm		CHK R. SWING	10-24-97	
TOLERANCES UNLESS OTHERWISE SPECIFIED:		APVD K. CORLE	10-24-97	NAME RECEPTACLE, 4 CIRCUIT, .250 PIN AND SOCKET
9 PLC ±-		PRODUCT SPEC		SIZE A1
1 PLC ±-		APPLICATION SPEC		SCALE CODE C-770337
2 PLC ±0.13		HEIGHT		RESTRICTED TO
3 PLC ±-				
4 PLC ±-				
ANGLES				
MATERIAL NYLON, JL 94V-2, NATURAL		CUSTOMER DRAWING		SCALE 4:1
FINISH		SHEET 1 OF 1		REV F

