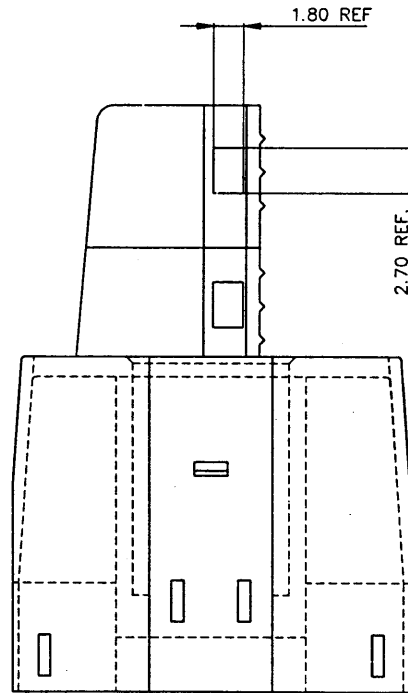
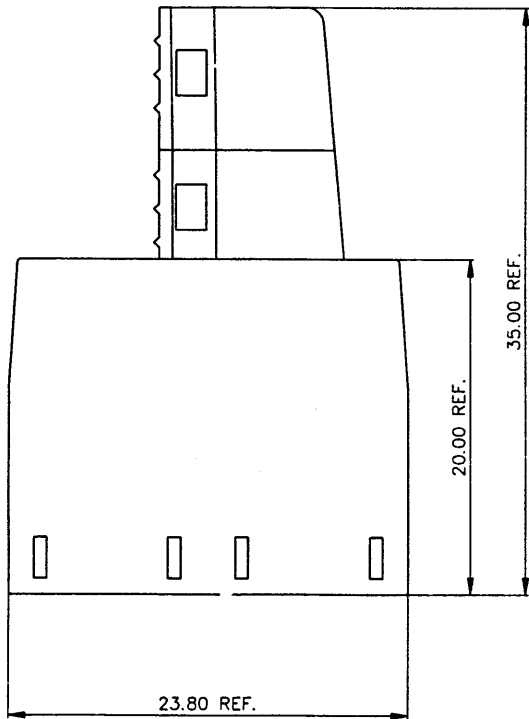
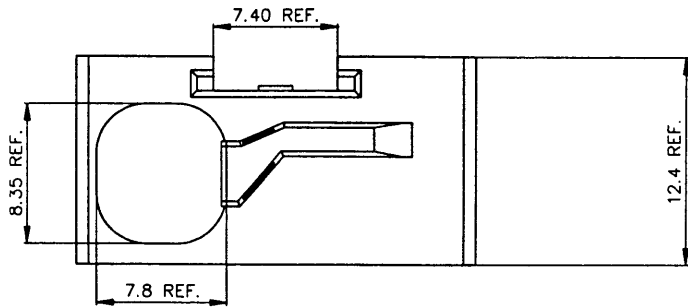


PRODUCT NUMBER 70283-001



NOTES:

- MATERIAL: THERMOPLASTIC POLYESTER 30% GLASS FILLED.
COLOR: BLACK.
FLAME RETARDANT ACCORDING UL-94-V0.
- CABLE CONNECTOR COVER TO BE USED WITH TERMINAL BLOCK 70288-X0Y.

mail. code		SEE NOTE 1		tolerances unless otherwise specified		CUSTOMER COPY		BERG ELECTRONICS	
lfr	ecn no	of	date	linear	projection	title		COVER	
A	H90044	AVZ	900130			CABLE CONN. 24MM.			
B	H00801	AVZ	910204						
C	H40073	HBO	940201	angles					
		of	A.van Zanten	900130	mm	product family	METRAL (lm)	code	213
		of	H.Bouwknegt	940201	←	size	chg no	sheet	1 of 1
		of	A.van Zanten	900130	scale	A2	70283		
		of	H.van Woensel	900130	5:1				
sheet index	revision	sheet	1						